



TRANSPORTATION SPECS - All Terrain Cranes

DEMAG MODEL AC 350 - 400 TON CAPACITY

COMPONENT WEIGHTS

Carrier c/w Upper & Outriggers
Maximum Counterweight

<u>LBS.</u>	<u>KGS.</u>
158,400	72 000
313,600	142 573

ADDITIONAL INFORMATION

160 t, 7 Sheave Block
80t, 3 Sheave Block
40t, Single Sheave Block
H2 Winch
Spare Wheel 20.5R25
Rooster Sheave
Sideways Superlift 28'7" x 9'6" x 6'7"
Boom (Removed)

<u>LBS.</u>	<u>KGS.</u>
3,750	1 700
2,860	1 300
1,650	750
11,220	5 100
880	400
220	100
18,040	8 200
55,000	25,000

COUNTERWEIGHTS

Basic Frame
Base Counterweight
Counterweight
Counterweight 3 Pcs. each
Superlift (SL) Ballast Tray
SL Ballast counterweight 8 Pcs. each

<u>LBS.</u>	<u>KGS.</u>
12,260	5 573
22,000	10 000
15,400	7 000
22,000	10 000
22,000	10 000
22,000	10 000

COMPONENT WEIGHTS JIB CONFIGURATIONS

<u>LBS.</u>	<u>KGS.</u>
-------------	-------------

#1 Swing-away Jib (40' x 3'9" x 5'9")

- 5' Main Boom Adapter	915	416
- 40' Swing away Tip	2,807	1,276

#2 Fixed Fly Jib

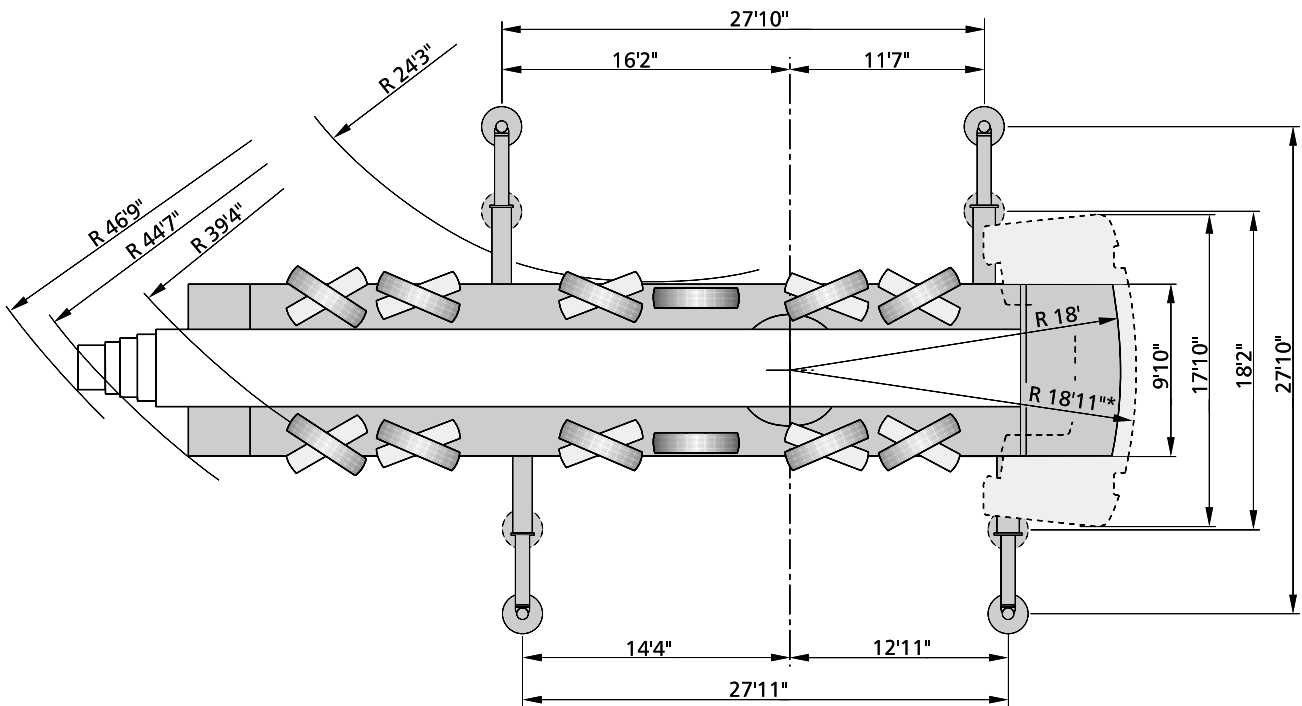
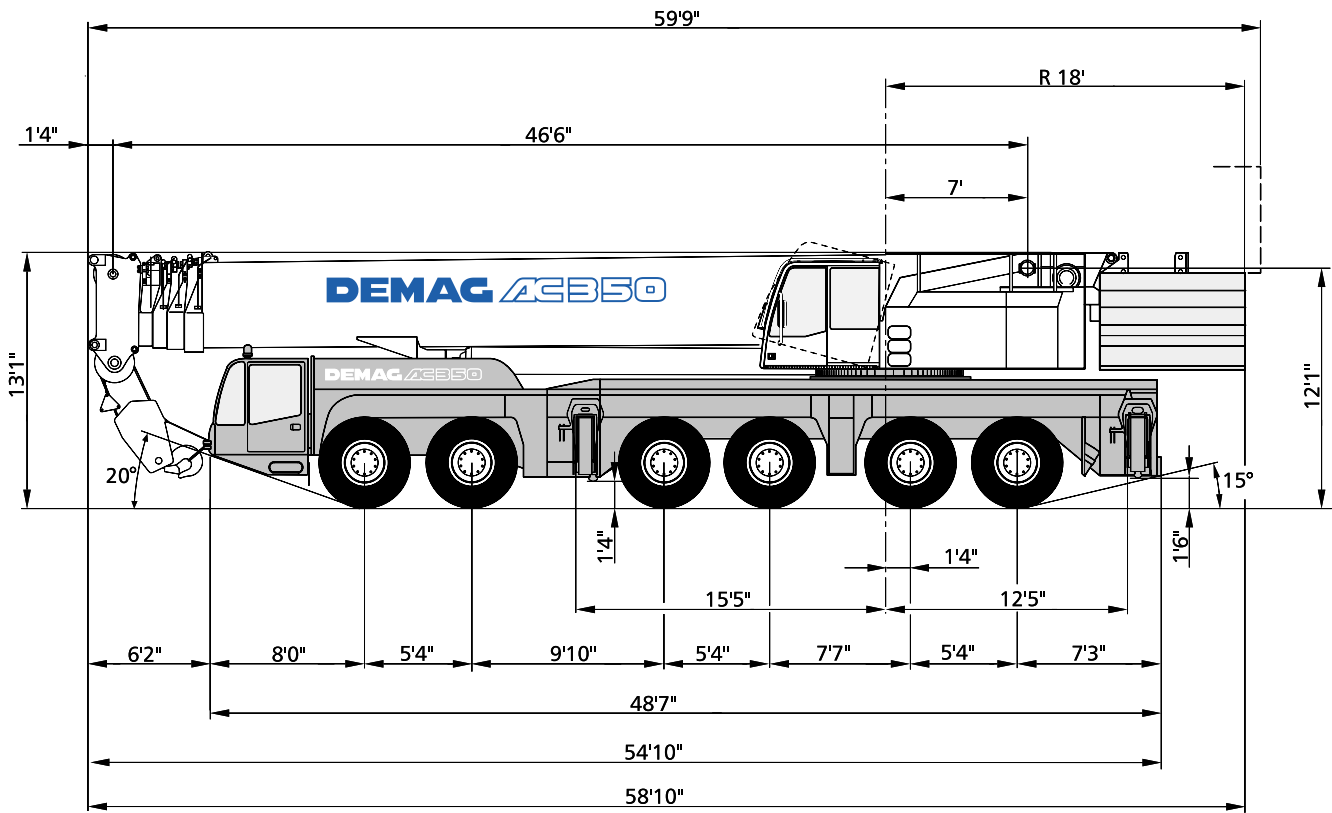
a. - 24'-58'-78' x 5' x 5'5"		
- 5' Main Boom Adapter	916	416
- 20' Extension	1,625	740
- 40' Swing-away Tip	2,807	1 276
- 20' Extension	1,287	585
b. 49' - 69' - 85' - 103' - 123' - 143' - 162' - x 5' x 5'5"		
- 6' Main Boom Adapter	992	451
- 40' Extension	3,485	1 584
- 5' Tip Section	1,833	833
- 20' Extension	1,625	740
- 40' Swing-Away Tip	2,807	1 276
- 20' Extension	1,287	585
- 40' Extension	3,454	1 570

#3 Luffing Jib

82'-121'-160'-180'-196'-215' - 235' x		
-6' Main Boom Adapter	992	451
- Connector	1,552	706
- 40' Butt Section	4,431	2 014
- 40' Adapter	3,485	1 584
- 5' Tip Section	1,833	833
- 40' Extension	3,454	1 570
- 40' Extension	3,186	1 448
- 20' Extension	1,625	740
- 40' Swing-away Tip	2,807	1 276
- 20' Extension	1,287	585
- Lower Luffing Mast	2,970	1 350
- Upper Luffing Mast	2,200	1 100

STERLING CRANE

Dimensions

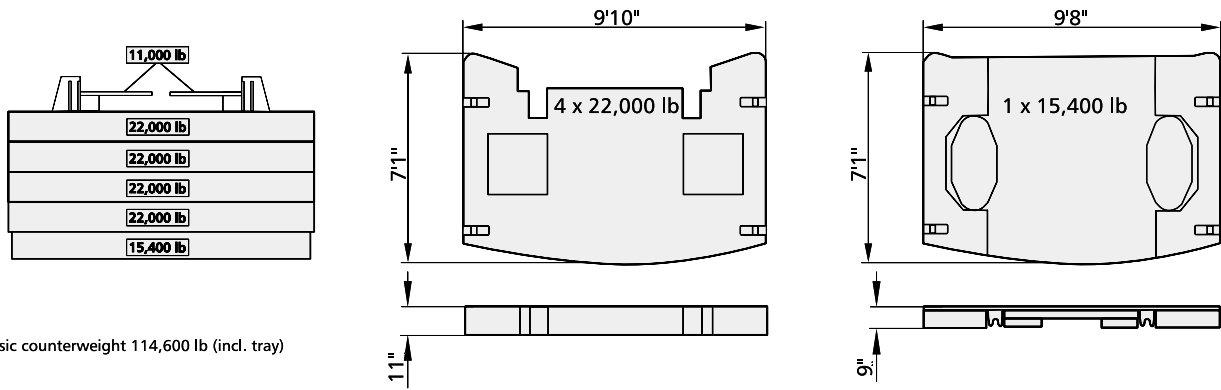


* with additional counterweight

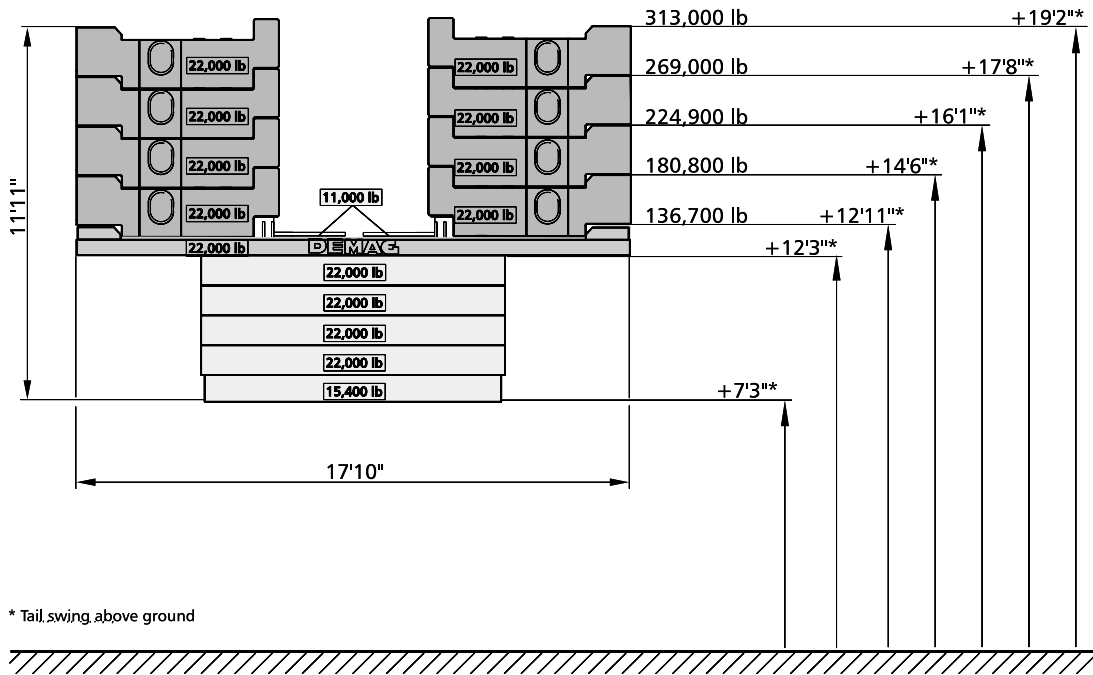
136,700 lb - 313,000 lb counterweight (optional)

STERLING CRANE

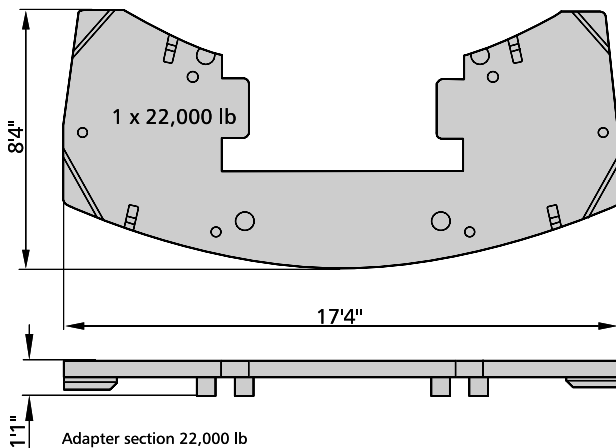
Dimensions



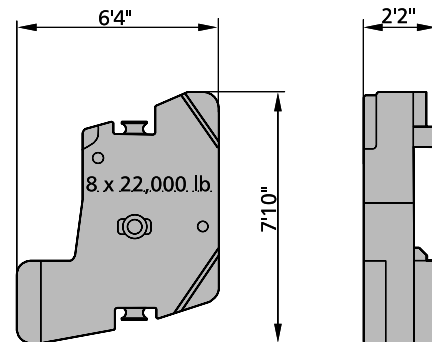
Basic counterweight 114,600 lb (incl. tray)



* Tail swing above ground



Adapter section 22,000 lb



Add 1 counterweight 22,000 lb; same as for AC 500-1 / AC 650