

# STERLING CRANE



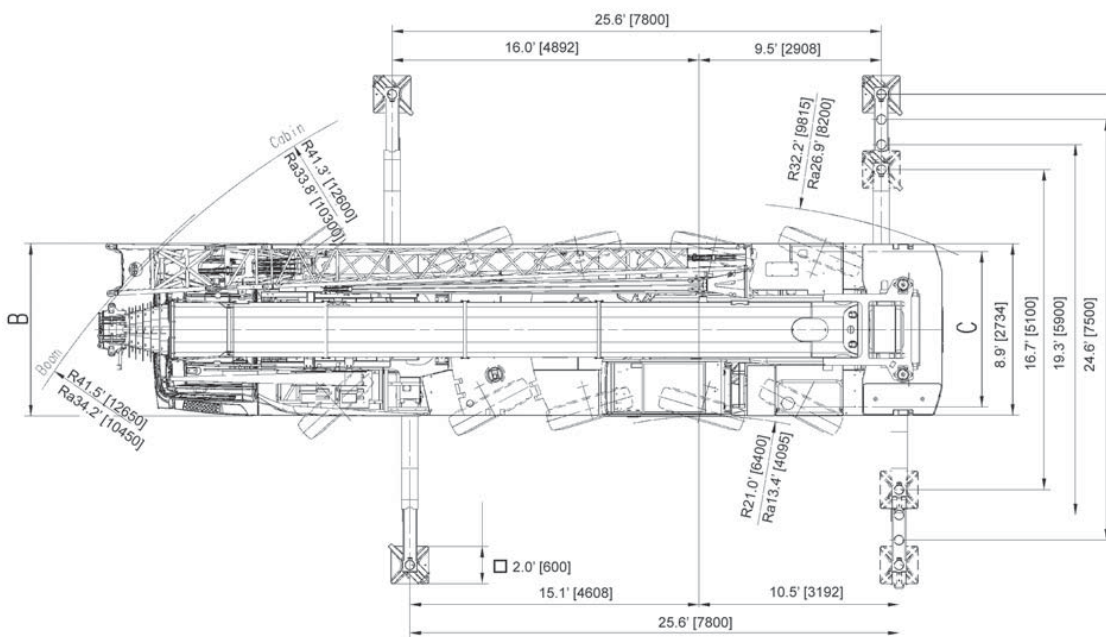
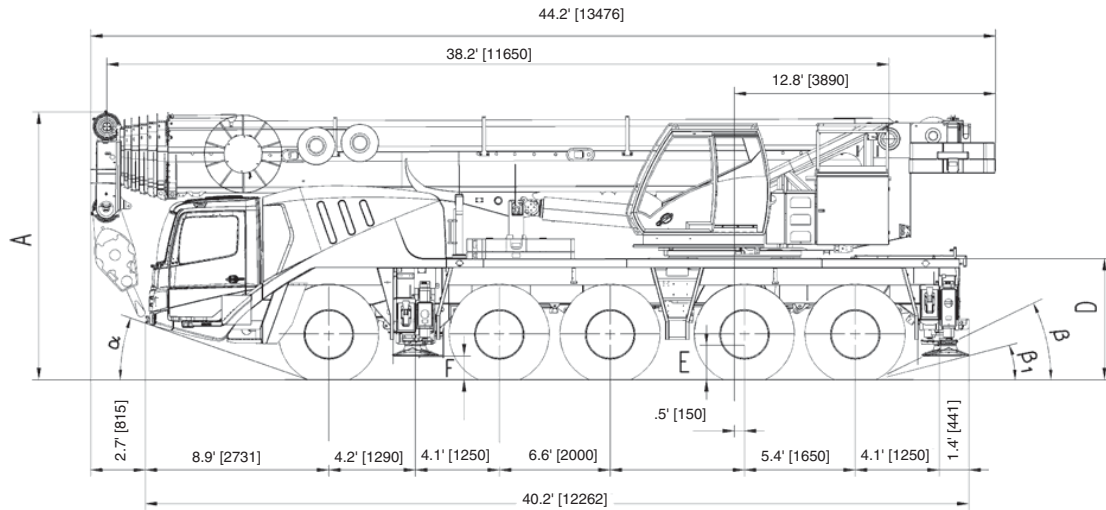
## TRANSPORTATION SPECS - All Terrain Cranes


### GROVE MODEL GMK5115 - 115 TON CAPACITY

<u>COMPONENT WEIGHTS</u>	<u>LBS.</u>	<u>KGS.</u>
Complete Crane c/w Full Cwt, Block, Ball & Swing Jib	169,554	76 909
House, Carrier, Boom & Aux Hoist - 44'3" / 40'2" x 9'10" x 13'2"	105,887	48 030
Counterweights:		
#1 Bolted – Aux. Hoist	1,323	600
#2 Bolted	5,071	2 300
#3 Plate	4,850	2 200
#4 Plate	4,850	2 200
#5 Plate	4,850	2 200
#6 Plate	7,275	3 300
#7 Plate	7,275	3 300
#8 Plate	9,700	4 400
#9 Plate	9,700	4 400
#10 Base Plate	4,850	2 200
Total Counterweight	59,744	27 100
Boom Dolly – Nelson CBC50RT, Tri-Tandem	19,500	8 845
<u>ADDITIONAL INFORMATION</u>		
70 Ton – 5 Sheave Block	1,668	757
8 Ton Ball	558	253
Swing Jib (33' – 56')	2,866	1 300
Rooster Sheave	154	70
Front Outrigger Box	3,109	1 410
Rear Outrigger Box	3,307	1 500
4 Plastic Mats 4' x 6 1/2'           each	280	127
Main Line 17mm x 837 ft.		
Auxiliary Line 17mm x 837 ft.		
Tire Size 20.5R25		

# STERLING CRANE

## dimensions



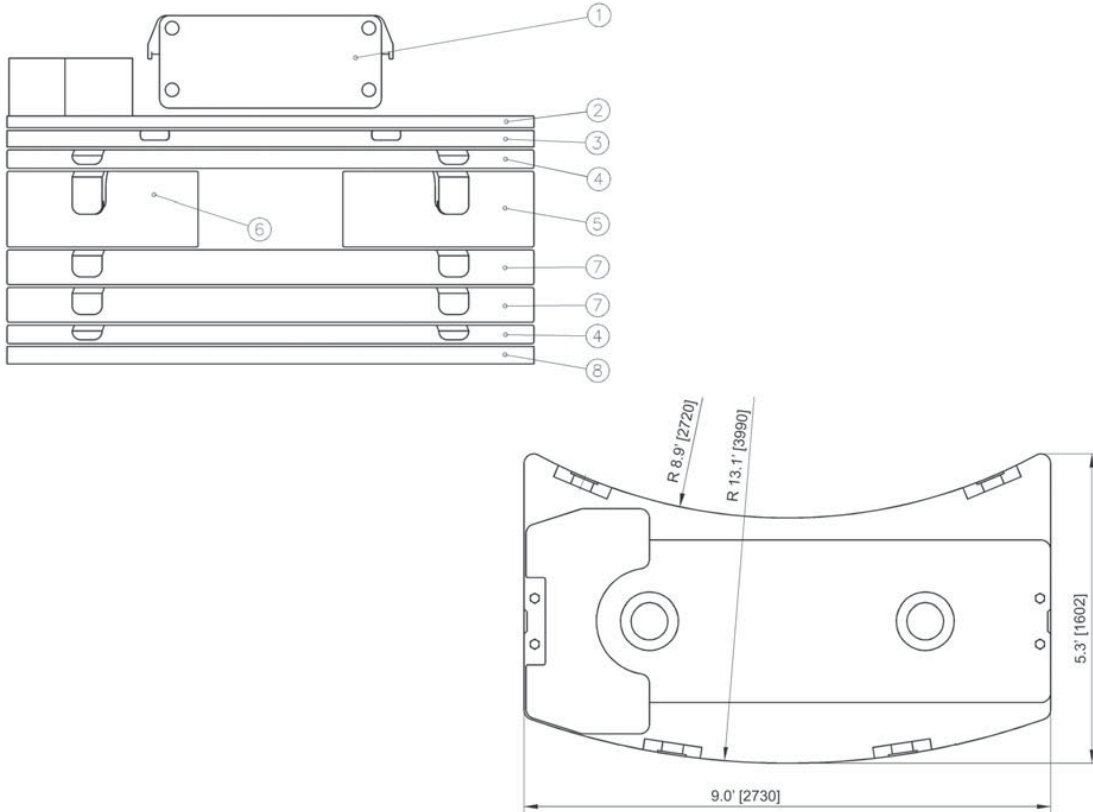
	A	A 5.1 in.* (130 mm)	B	C	D	E	F	$\alpha$	$\beta$	$\beta_1$
14.00 R25	12.9 (3945)	12.5 (3815)	9.0 (2750)	7.7 (2338)	5.7 (1750)	1.4 (435)	1.2 (356)	18°	23°	17°
16.00 R25	13.1 (3995)	12.7 (3865)	9.8 (3000)	8.2 (2486)	5.9 (1800)	1.6 (485)	1.3 (386)	20°	25°	19°
20.5 R25	13.1 (3995)	12.7 (3865)	9.8 (3000)	8.2 (2507)	5.9 (1800)	1.6 (485)	1.3 (386)	20°	25°	19°

Ra = Radius all wheels steered

\*Lowered

# STERLING CRANE

## counterweight



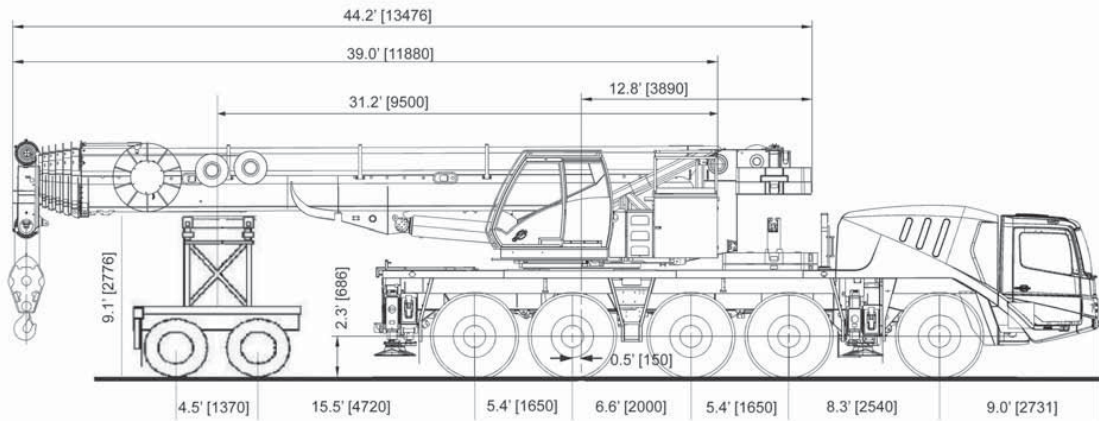
- |  |                                   |
|--|-----------------------------------|
| 1. 1,323 lb.(600 kg.) Bolted (Aux. Hoist or IPO) | 5. 7,275 lb.(3 300 kg.) Stacking  |
| 2. 5,071 lb.(2 300 kg.) Bolted                   | 6. 7,275 lb.(3 300 kg.) Stacking  |
| 3. 4 850 lb.(2 200 kg.) Stacking                 | 7. 9,700 lb (4 400 kg.) Stacking  |
| 4. 4,850 lb.(2 200 kg.) Stacking                 | 8. 4,850 lb (2 200 kg.) Baseplate |

	1	2	3	4	5	6	7	8
Counterweight Configuration lb.(kg.)								
6,400 (2 900)	●	●						
11,250 (5 100)	●	●						●
16,100 (7 300)	●	●	●					●
20,950 (9 500)	●	●					●	●
25,600 (11 700)	●	●	●				●	●
30,650 (13 900)	●	●	●		●	●		●
35,500 (16 100)	●	●	●	●	●	●		●
40,350 (18 300)	●	●	●	2●	●	●		●
45,200 (20 500)	●	●	●	●	●	●	●	●
50,050 (22 700)	●	●	●		●	●	2●	●
54,900 (24 900)	●	●	●	●	●	●	2●	●
59,750 (27 100)	●	●	●	2●	●	●	2●	●

# STERLING CRANE

## weight proposal

### Trailing Boom



Dolly  
26,676 lb.  
(12 000 kg)

Rear 3 Axles  
50,981 lb.  
(23 125 kg)

Front 2 Axles  
38,460 lb.  
(17 446 kg)

### Unit Configuration:

42' – 197' boom  
Outrigger pads stowed on unit  
10 X 8 X 10 drive/steer  
Main and auxiliary hoists with cable

36 – 59 ft. hydraulic luffing swingaway  
Additional oil cooler  
20.5 tires  
2 axle boom dolly (5,710 lb. / 2 590 kg)  
Fixed cover weight (5,070 lb. / 2 300kg)

### Boom Over Front

Basic Weights - lbs (kg)	Axles 1 & 2		Axles 3 - 5		Total	
Mercedes power, 16.00R25 tires, 10x6x10 drive/steer, 2nd oil cooler, outrigger pads, auxiliary hoist, driver and tanks filled	36,381	(16,502)	68,835	(31,223)	105,216	(47,725)
<b>Additions:</b>						
10x8x10 drive/steer						
Electric driveline retarder	-187	(-85)	760	(345)	573	(260)
Spare wheel 14.00 R25 XGC steel rim with stowage	-474	(-215)	1,045	(474)	571	(259)
Spare wheel 16.00 R25 XGC steel rim with stowage	-592	(-268)	1,295	(587)	703	(319)
Spare wheel 20.5 R25 XGC steel rim with stowage	-680	(-309)	1,478	(671)	798	(362)
Brackets for hydraulic swingaway	143	(65)	36	(16)	179	(81)
Hose reel + parts for hydraulic swingaway	604	(274)	-185	(-84)	419	(190)
33 ft. - 56 ft. (10-17m) hydraulic swingaway	2,761	(1,253)	105	(47)	2,866	(1,300)
Auxiliary boom nose	293	(133)	-139	(-63)	154	(70)
4,850 lb. (2200 kg) section 3 pinned to superstructure	-3,514	(-1,594)	8,364	(3,794)	4,850	(2,200)
4,850 lb. (2200 kg) section 8 stowed on carrier	3,271	(1,484)	1,579	(716)	4,850	(2,200)
<b>Substitutions:</b>						
14.00R25 tires	-504	(-228)	-819	(-372)	-1,323	(-600)
20.5R25 tires	361	(164)	587	(266)	948	(430)
<b>Removals:</b>						
Boom assembly	-20,890	(-9,476)	-8,817	(-3,999)	-29,707	(-13,475)
Front outriggers	-3,095	(-1,404)	-13	(-6)	-3,109	(-1,410)
Rear outriggers	2,250	(1,021)	-5,557	(-2,521)	-3,307	(-1,500)
Front and rear outrigger floats	-69	(-32)	-371	(-168)	-441	(-200)