

STERLING CRANE



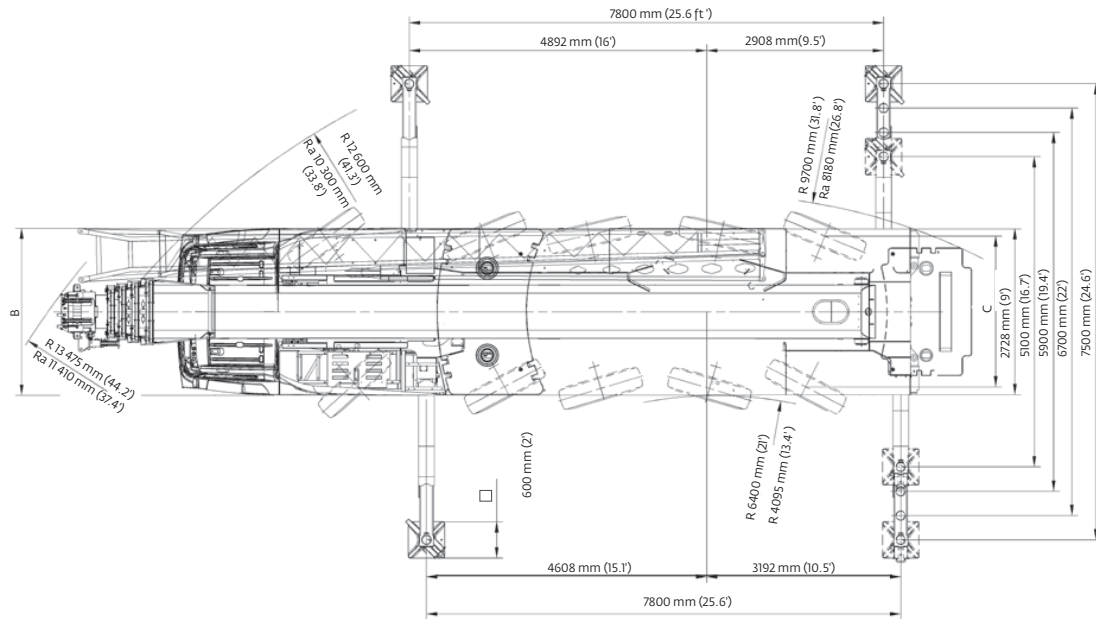
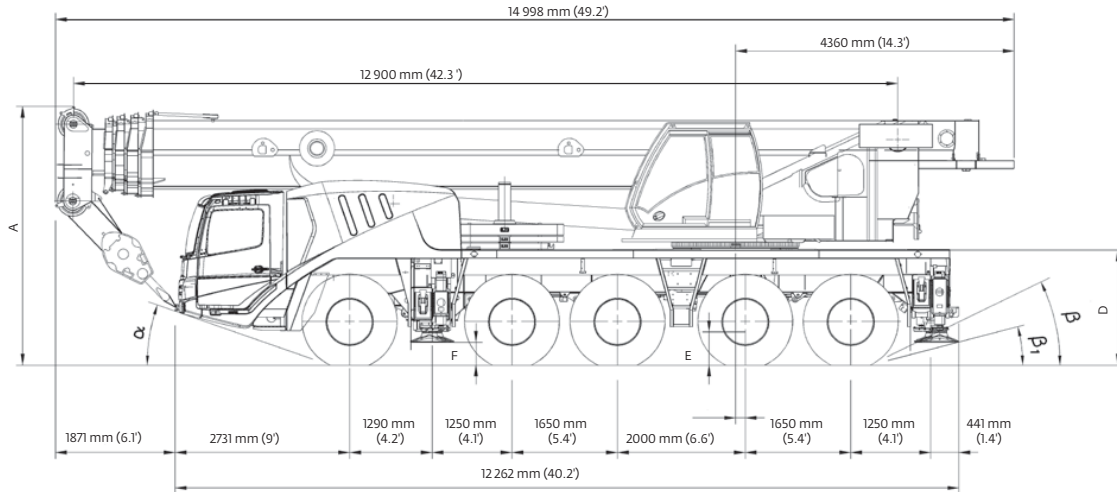
TRANSPORTATION SPECS - All Terrain Cranes

GROVE MODEL GMK5135 - 135 TON CAPACITY

<u>COMPONENT WEIGHTS</u>	<u>LB.</u>	<u>KGS.</u>
Complete Crane c/w Full Counterweight, Swing Jib, Block and Ball	196,131	88 964
Main Unit c/w Cwt #7 & #11 49'2" x 9'10" x 12'10"	109,048	49 464
Counterweights		
1- Base Plate 9'2" x 5'7" x 3'6"	5,500	2 495
2 - Plate 9'2" x 5'7" x 3'	5,500	2 495
3 - Plate 9'2" x 5'7" x 10'	11,000	4 990
4 - Plate 9'2" x 5'7" x 10'	11,000	4 990
5 - Plate 6'11" x 4'8" x 9'	5,500	2 495
6 - None as per Grove brochure		
7 - Plate 6'11" x 4'8" x 9' Bolted to Crane	5,500	2 495
8 - Plate 5'2" x 3'9" x 16"	8,300	3 765
9 - Plate 5'2" x 3'9" x 16"	8,300	3 765
10- 2 Pcs. 52" x 56" x 39" Triangular	25,574	11 600
11- Auxiliary Winch Bolted to Crane	<u>2,200</u>	<u>998</u>
Total Counterweight	88,374	40 086
Boom Dolly Nelson CBC50RT - Tire Size 11R22.5		
<u>ADDITIONAL WEIGHTS</u>		
80t - 5 Sheave Block	1,842	836
20t - Single Sheave Block	767	348
12t - Ball	722	327
Hydraulic Swingaway Jib 36' - 59' 36' x 3' x 4'2"	3,845	1 744
Jib Insert 26' 26'8" x 3' x 4'2"	1,653	750
Jib Insert 20' 20' x 3' x 4'2"	1,323	600
Front Outriggers	2,998	1 360
Rear Outriggers	3,197	1 450
Front and Rear Outrigger Pads (4)	441	200
Tire Size 20.5R25		

STERLING CRANE

Dimensions



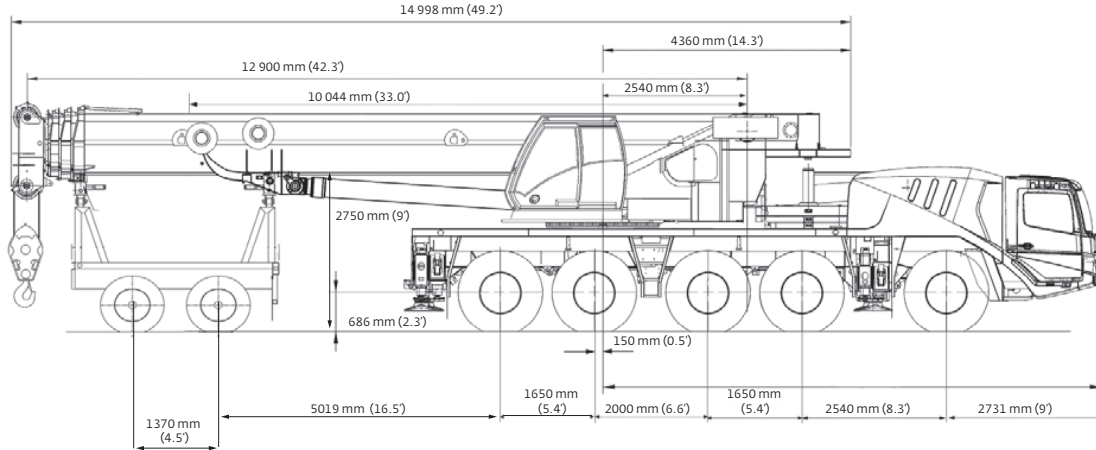
Tires	A	A ^{130 mm (5.1")}	B	C	D	E	F	α	β	β_1
14.00 R25	3948 mm (13')	3818 mm (12.5')	2750 mm (9')	2338 mm (7.7')	1748 mm (5.7')	435 mm (1.4')	356 mm (1.2')	18°	23°	17°
16.00 R25	3998 mm (13.1')	3868 mm (12.7')	3000 mm (9.8')	2286 mm (7.5')	1798 mm (5.9')	485 mm (1.6')	386 mm (1.3')	20°	25°	19°
20.5 R25	3998 mm (13.1')	3868 mm (12.7')	3000 mm (9.8')	2507 mm (8.2')	1798 mm (5.9')	485 mm (1.6')	386 mm (1.3')	20°	25°	19°

Ra = Radius all wheels steered
 *Lowered

STERLING CRANE

Weights

Trailing boom



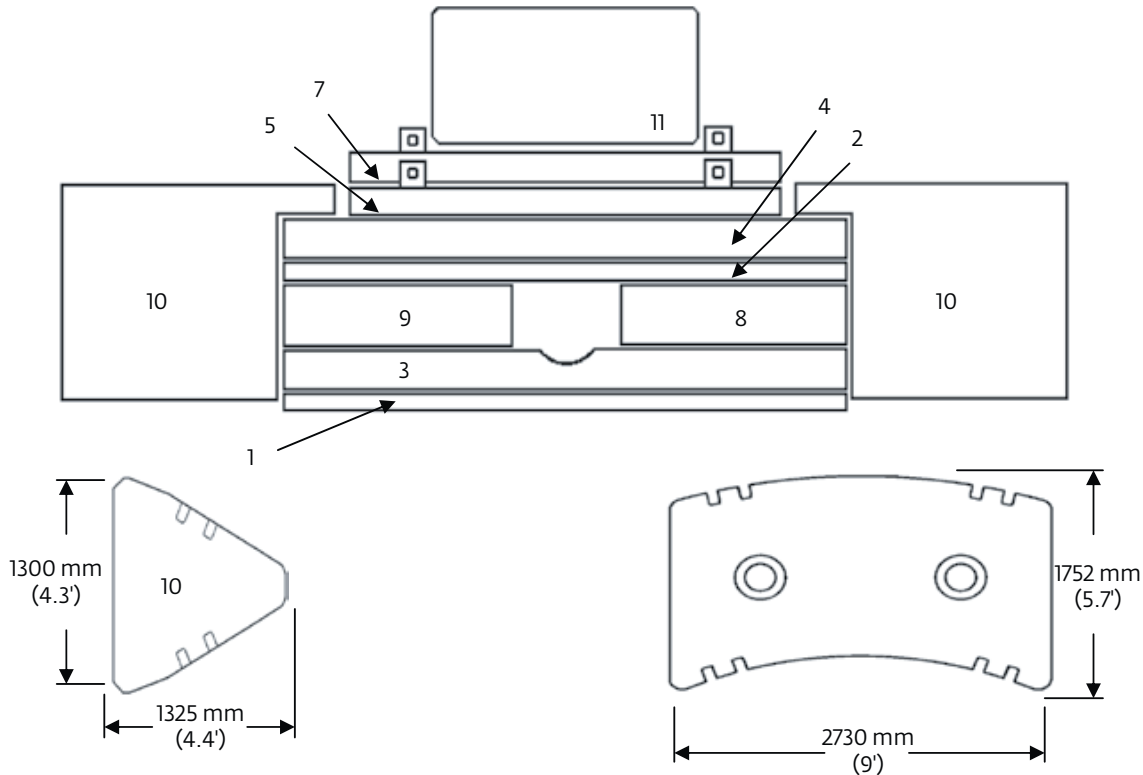
Basic weights - kg (lb)	Axles 1 and 2		Axles 3 - 5		2 Dolly axles		Total	
GMK 5135 Mercedes power with: 16.00R25 tires, 10x8x10 drive/steer, 36 ft – 59 ft hydraulic luffing swingaway, 2nd oil cooler, outrigger pads, auxiliary hoist, driver and tanks filled, 2 axle boom dolly (2590 kg [5710 lb])	18 308	(40,362)	21 402	(47,182)	13 211	(29,125)	52 921	(116,669)
Additions:								
2500 kg (5500 lb) section pinned to superstructure (5,7)	1896	(4180)	604	(1331)	—	—	2500	(5512)
2500 kg (5500 lb) section pinned to superstructure (1,2)	1798	(3963)	572	(1262)	—	—	2370	(5225)
5000 kg (11,000 lb) section stowed on carrier (3,4)	3792	(8361)	1208	(2662)	—	—	5000	(11,023)
3750 kg (8300 lb) section stowed on carrier (8,9)	2852	(6287)	908	(2002)	—	—	3760	(8289)
Removals:								
Brackets for hydraulic swingaway	-13	(-30)	-12	(-26)	-61	(-134)	86	(190)
Hose reel + parts for hydraulic swingaway	-7	(-16)	-6	(-14)	-196	(-433)	210	(463)
11 m – 18 m (36 ft – 59 ft) hydraulic swingaway	-197	(-434)	-171	(-376)	-1376	(-3034)	1744	(3845)
Front outriggers	-1354	(-2986)	-6	(-12)	—	—	-1360	(-2998)
Rear outriggers	911	(2008)	-2361	(-5205)	—	—	-1450	(-3197)
Front and rear outrigger floats	-37	(-81)	-163	(-360)	—	—	-200	(-441)
Substitutions:								
10x6x10 drive/steer	-44	(-97)	-66	(-145)	—	—	110	(243)
14.00R25 tires	-240	(-529)	-360	(-794)	—	—	-600	(-1323)
20.5R25 tires	172	(379)	258	(569)	—	—	430	(948)

Boom over front

Basic weights - kg (lb)	Axles 1 and 2		Axles 3 - 5		Total	
GMK 5135 Mercedes power with: 16.00R25 tires, 10x6x10 drive/steer, 2nd oil cooler, outrigger pads, auxiliary hoist, driver and tanks filled	19 243	(42,423)	29 052	(64,049)	48 295	(106,472)
Additions:						
10x8x10 drive/steer	44	(97)	66	(145)	110	(243)
Electric driveline retarder	-74	(-163)	334	(736)	260	(573)
Spare wheel 14.00 R25 XGC steel rim with stowage	-200	(-442)	459	(1013)	259	(571)
Spare wheel 16.00 R25 XGC steel rim with stowage	-250	(-552)	569	(1255)	319	(703)
Spare wheel 20.5 R25 XGC steel rim with stowage	-288	(-634)	650	(1432)	362	(798)
Brackets for hydraulic swingaway	82	(182)	4	(8)	86	(190)
Hose reel + parts for hydraulic swingaway	301	(664)	-91	(-201)	210	(463)
11 m – 18 m (36 ft – 59 ft) hydraulic swingaway	1968	(4338)	-493	(-242)	1744	(3845)
Auxiliary boom nose	149	(329)	-79	(-174)	70	(154)
2500 kg (5500 lb) section pinned to superstructure (5,7)	-1862	(-4105)	4362	(9616)	2500	(5512)
2500 kg (5500 lb) section stowed on carrier (1,2)	1798	(3963)	572	(1262)	2370	(5225)
5000 kg (11,000 lb) section stowed on carrier (3,4)	3792	(8361)	1208	(2662)	5000	(11,023)
3750 kg (8300 lb) section stowed on carrier (8,9)	2852	(6287)	908	(2002)	3760	(8289)
Substitutions:						
14.00R25 tires	-240	(-529)	-360	(-794)	-600	(-1323)
20.5R25 tires	172	(379)	258	(569)	430	(948)
Removals:						
Boom assembly	-11 277	(-24,862)	-3844	(-8475)	-15 121	(-33,336)
Front outriggers	-1354	(-2986)	-6	(-12)	-1360	(-2998)
Rear outriggers	911	(2008)	-2361	(-5205)	-1450	(-3197)
Front and rear outrigger floats	-37	(-81)	-163	(-360)	-200	(-441)

STERLING CRANE

Counterweight

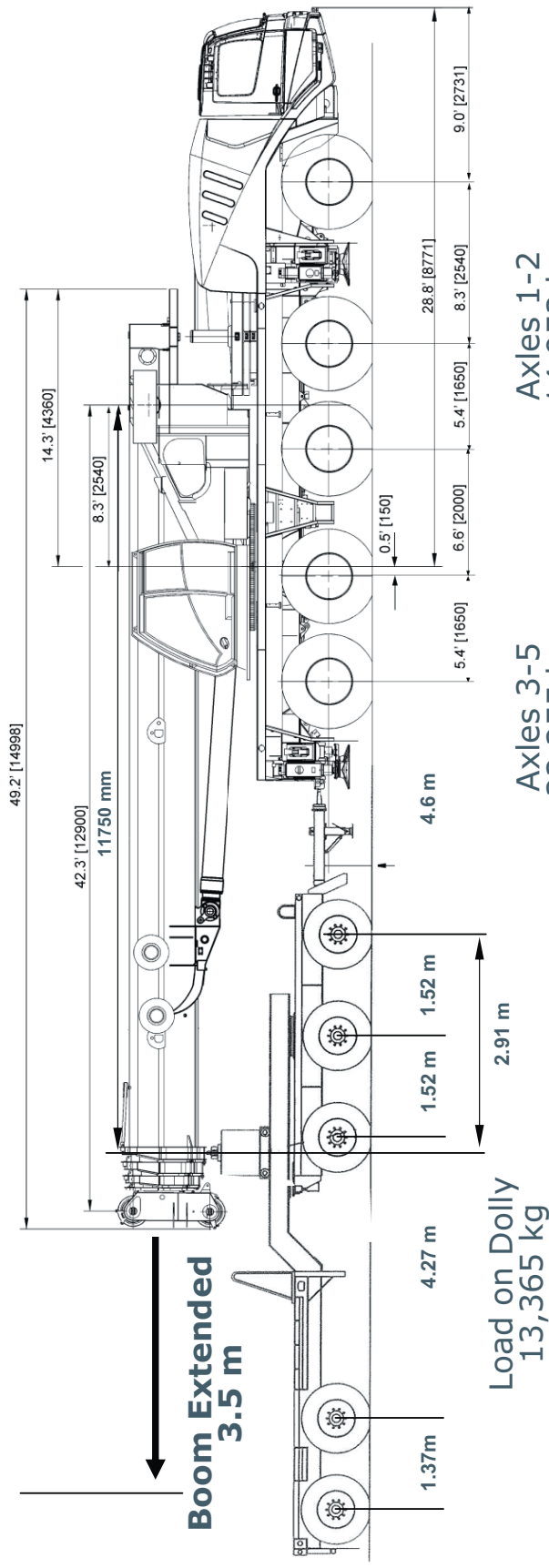


- | | |
|---------------------------------|---|
| 1. 2500 kg (5500 lb) baseplate | 7. 2500 kg (5500 lb) pinned |
| 2. 2500 kg (5500 lb) stacking | 8. 3750 kg (8300 lb) stacking |
| 3. 5000 kg (11,000 lb) stacking | 9. 3750 kg (8300 lb) stacking |
| 4. 5000 kg (11,000 lb) stacking | 10. 5770 kg (12,700 lb) wing |
| 5. 2500 kg (5500 lb) pinned | 11. 1000 kg (2200 lb) bolted (auxiliary hoist or IPO) |

	1	2	3	4	5	7	8	9	10	11
Counterweight configuration kg (lb)										
1000 (2200)										•
3500 (7700)						•				•
6000 (13,200)					•	•				•
8500 (18,700)	•				•	•				•
11 000 (24,200)	•						•	•		•
13 500 (29,700)	•					•	•	•		•
16 000 (35,200)	•				•	•	•	•		•
18 500 (40,700)	•		•			•	•	•		•
21 000 (46,200)	•		•		•	•	•	•		•
23 500 (51,800)	•	•	•		•	•	•	•		•
26 000 (57,300)	•		•	•	•	•	•	•		•
28 500 (62,800)	•	•	•	•	•	•	•	•		•
40 100 (88,400)	•	•	•	•	•	•	•	•	2x	•

STERLING CRANE

Weight Proposal GMK 5135
Trailing boom with 5 axle dolly



Unit configuration

42' – 197' boom / 10 X 8 X 10 (drive/steer) / Main and auxiliary hoist with cable / 36 – 59 ft. hydraulic luffing swingaway / 20.5" tires / Additional oil cooler / Outrigger pads stowed on unit / Boom boost: 4 t extending force 5 axle boom dolly

Weights may vary 3% due to manufacturing tolerances