

# STERLING CRANE



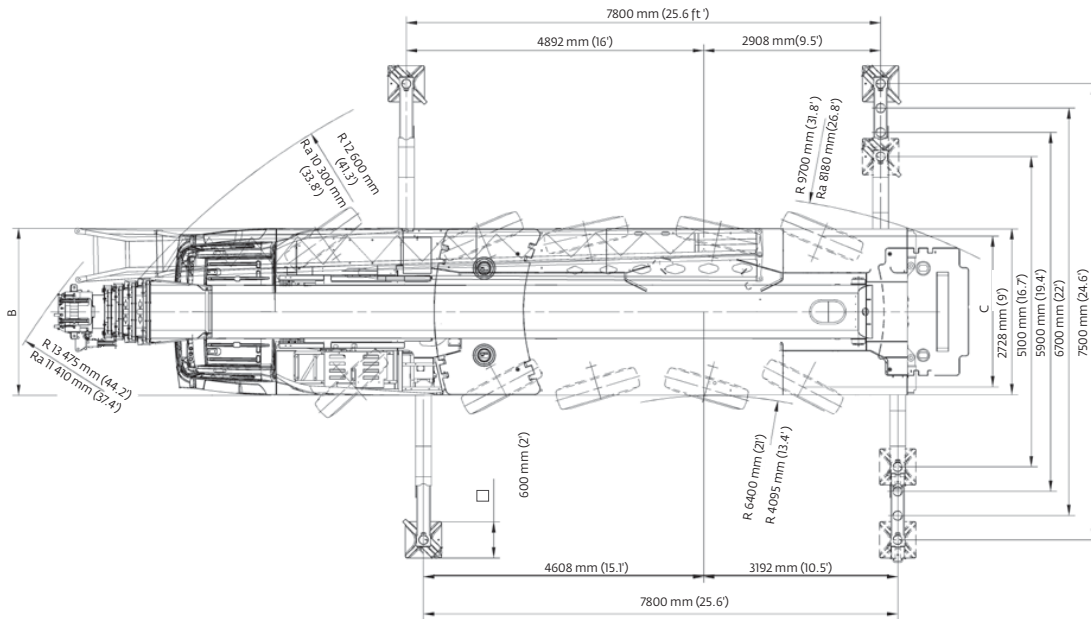
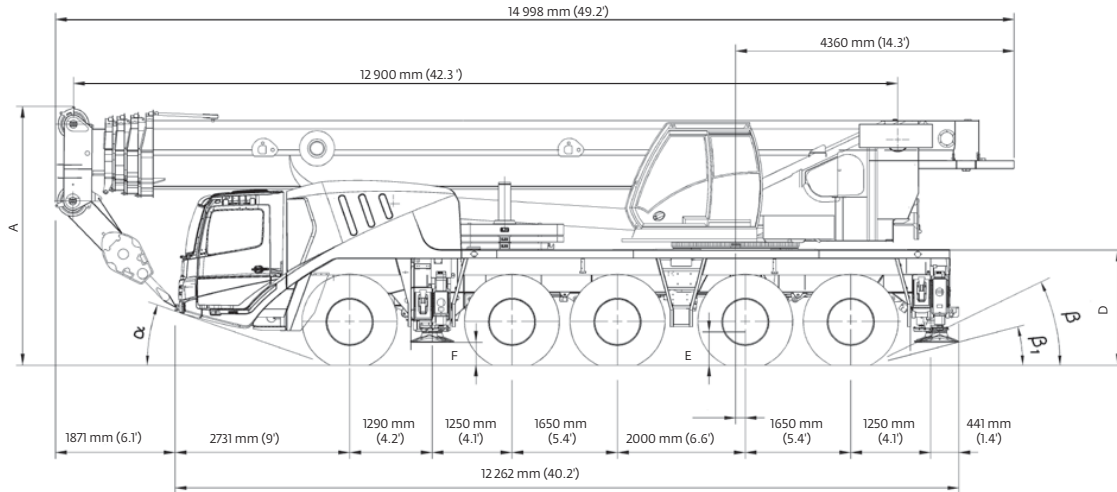
## TRANSPORTATION SPECS - All Terrain Cranes

### GROVE MODEL GMK5165 - 165 TON CAPACITY

| <u>COMPONENT WEIGHTS</u>   | <u>LB.</u>   | <u>KGS.</u> |
|--|--------------|-------------|
| Complete Crane c/w Full Counterweight, Swing Jib, Block and Ball | 196,131      | 88 964      |
| Main Unit c/w Cwt #7 & #11<br>49'2" x 9'10" x 12'10"             | 109,048      | 49 464      |
| Counterweights   |              |             |
| 1- Base Plate 9'2" x 5'7" x 3'6"                                 | 5,500        | 2 495       |
| 2 - Plate 9'2" x 5'7" x 3'                                       | 5,500        | 2 495       |
| 3 - Plate 9'2" x 5'7" x 10'                                      | 11,000       | 4 990       |
| 4 - Plate 9'2" x 5'7" x 10'                                      | 11,000       | 4 990       |
| 5 - Plate 6'11" x 4'8" x 9'                                      | 5,500        | 2 495       |
| 6 - None as per Grove brochure                                   |              |             |
| 7 - Plate 6'11" x 4'8" x 9'<br>Bolted to Crane                   | 5,500        | 2 495       |
| 8 - Plate 5'2" x 3'9" x 16"                                      | 8,300        | 3 765       |
| 9 - Plate 5'2" x 3'9" x 16"                                      | 8,300        | 3 765       |
| 10- 2 Pcs. 52" x 56" x 39"<br>Triangular                         | 25,574       | 11 600      |
| 11- Auxiliary Winch<br>Bolted to Crane                           | <u>2,200</u> | <u>998</u>  |
| Total Counterweight  | 88,374       | 40 086      |
| Boom Dolly Nelson CBC50RT<br>- Tire Size 11R22.5                 |              |             |
| <u>ADDITIONAL WEIGHTS</u>  |              |             |
| 80t - 5 Sheave Block   | 1,842        | 836         |
| 20t - Single Sheave Block  | 767          | 348         |
| 12t - Ball   | 722          | 327         |
| Hydraulic Swingaway Jib 36' - 59'<br>36' x 3' x 4'2"             | 3,845        | 1 744       |
| Jib Insert 26' 26'8" x 3' x 4'2"                                 | 1,653        | 750         |
| Jib Insert 20' 20' x 3' x 4'2"                                   | 1,323        | 600         |
| Front Outriggers   | 2,998        | 1 360       |
| Rear Outriggers  | 3,197        | 1 450       |
| Front and Rear Outrigger Pads (4)                                | 441          | 200         |
| Tire Size 20.5R25  |              |             |

# STERLING CRANE

## Dimensions



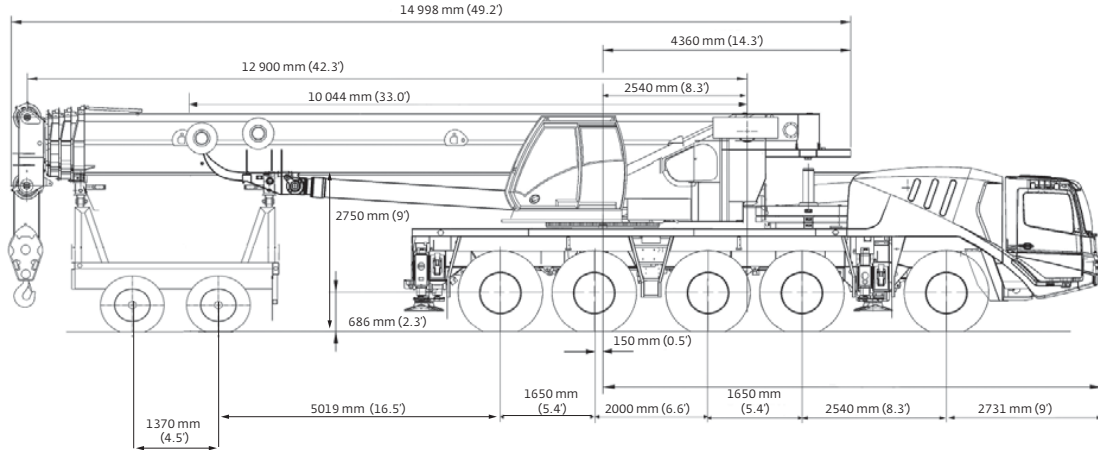
| Tires     | A               | A <sup>110</sup> | B              | C              | D              | E             | F             | $\alpha$ | $\beta$ | $\beta_1$ |
|-----------|-----------------|------------------|----------------|----------------|----------------|---------------|---------------|----------|---------|-----------|
| 14.00 R25 | 3948 mm (13')   | 3818 mm (12.5')  | 2750 mm (9')   | 2338 mm (7.7') | 1748 mm (5.7') | 435 mm (1.4') | 356 mm (1.2') | 18°      | 23°     | 17°       |
| 16.00 R25 | 3998 mm (13.1') | 3868 mm (12.7')  | 3000 mm (9.8') | 2286 mm (7.5') | 1798 mm (5.9') | 485 mm (1.6') | 386 mm (1.3') | 20°      | 25°     | 19°       |
| 20.5 R25  | 3998 mm (13.1') | 3868 mm (12.7')  | 3000 mm (9.8') | 2507 mm (8.2') | 1798 mm (5.9') | 485 mm (1.6') | 386 mm (1.3') | 20°      | 25°     | 19°       |

Ra = Radius all wheels steered  
 \*Lowered

# STERLING CRANE

## Weights

### Trailing boom



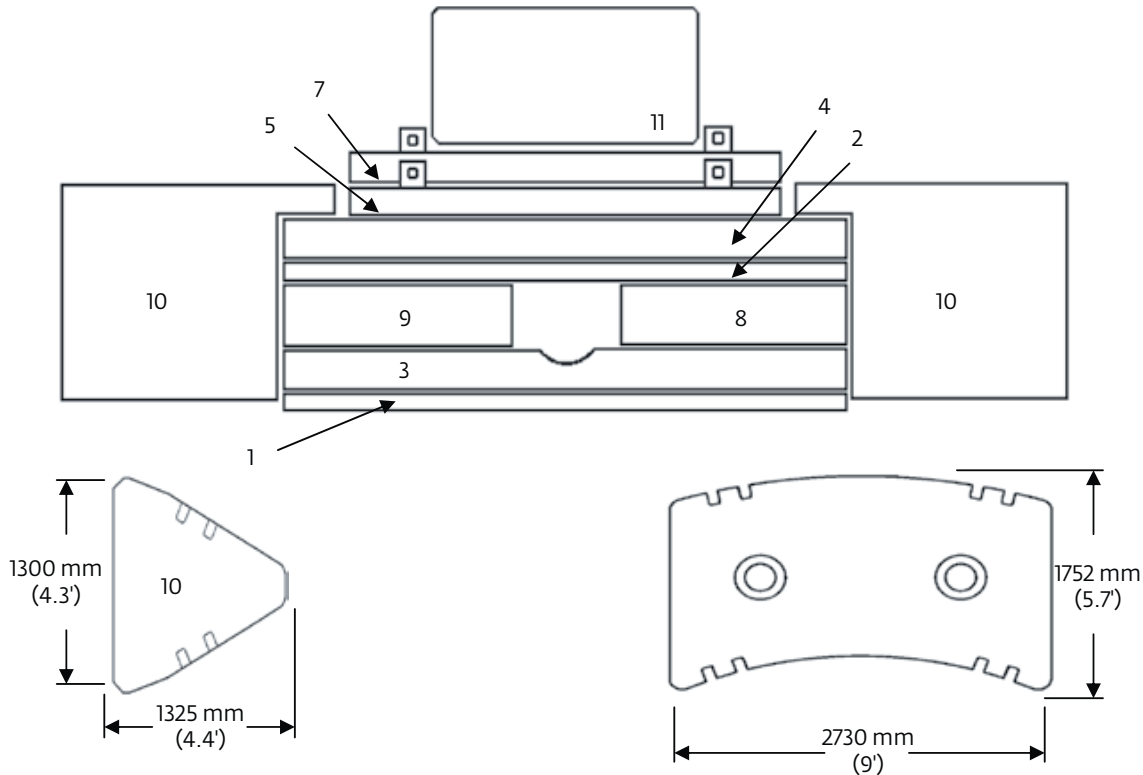
| Basic weights - kg (lb)  | Axles 1 and 2 |          | Axles 3 - 5 |          | 2 Dolly axles |          | Total  |           |
|--|---------------|----------|-------------|----------|---------------|----------|--------|-----------|
| GMK 5135 Mercedes power with:<br>16.00R25 tires, 10x8x10 drive/steer, 36 ft – 59 ft hydraulic luffing swingaway, 2nd oil cooler, outrigger pads, auxiliary hoist, driver and tanks filled, 2 axle boom dolly (2590 kg [5710 lb]) | 18 308        | (40,362) | 21 402      | (47,182) | 13 211        | (29,125) | 52 921 | (116,669) |
| <b>Additions:</b>  |               |          |             |          |               |          |        |           |
| 2500 kg (5500 lb) section pinned to superstructure (5,7)   | 1896          | (4180)   | 604         | (1331)   | —             | —        | 2500   | (5512)    |
| 2500 kg (5500 lb) section pinned to superstructure (1,2)   | 1798          | (3963)   | 572         | (1262)   | —             | —        | 2370   | (5225)    |
| 5000 kg (11,000 lb) section stowed on carrier (3,4)  | 3792          | (8361)   | 1208        | (2662)   | —             | —        | 5000   | (11,023)  |
| 3750 kg (8300 lb) section stowed on carrier (8,9)  | 2852          | (6287)   | 908         | (2002)   | —             | —        | 3760   | (8289)    |
| <b>Removals:</b>   |               |          |             |          |               |          |        |           |
| Brackets for hydraulic swingaway   | -13           | (-30)    | -12         | (-26)    | -61           | (-134)   | 86     | (190)     |
| Hose reel + parts for hydraulic swingaway  | -7            | (-16)    | -6          | (-14)    | -196          | (-433)   | 210    | (463)     |
| 11 m – 18 m (36 ft – 59 ft) hydraulic swingaway  | -197          | (-434)   | -171        | (-376)   | -1376         | (-3034)  | 1744   | (3845)    |
| Front outriggers   | -1354         | (-2986)  | -6          | (-12)    | —             | —        | -1360  | (-2998)   |
| Rear outriggers  | 911           | (2008)   | -2361       | (-5205)  | —             | —        | -1450  | (-3197)   |
| Front and rear outrigger floats  | -37           | (-81)    | -163        | (-360)   | —             | —        | -200   | (-441)    |
| <b>Substitutions:</b>  |               |          |             |          |               |          |        |           |
| 10x6x10 drive/steer  | -44           | (-97)    | -66         | (-145)   | —             | —        | 110    | (243)     |
| 14.00R25 tires   | -240          | (-529)   | -360        | (-794)   | —             | —        | -600   | (-1323)   |
| 20.5R25 tires  | 172           | (379)    | 258         | (569)    | —             | —        | 430    | (948)     |

### Boom over front

| Basic weights - kg (lb)  | Axles 1 and 2 |           | Axles 3 - 5 |          | Total   |           |
|--|---------------|-----------|-------------|----------|---------|-----------|
| GMK 5135 Mercedes power with:<br>16.00R25 tires, 10x6x10 drive/steer, 2nd oil cooler, outrigger pads, auxiliary hoist, driver and tanks filled | 19 243        | (42,423)  | 29 052      | (64,049) | 48 295  | (106,472) |
| <b>Additions:</b>  |               |           |             |          |         |           |
| 10x8x10 drive/steer  | 44            | (97)      | 66          | (145)    | 110     | (243)     |
| Electric driveline retarder  | -74           | (-163)    | 334         | (736)    | 260     | (573)     |
| Spare wheel 14.00 R25 XGC steel rim with stowage   | -200          | (-442)    | 459         | (1013)   | 259     | (571)     |
| Spare wheel 16.00 R25 XGC steel rim with stowage   | -250          | (-552)    | 569         | (1255)   | 319     | (703)     |
| Spare wheel 20.5 R25 XGC steel rim with stowage  | -288          | (-634)    | 650         | (1432)   | 362     | (798)     |
| Brackets for hydraulic swingaway   | 82            | (182)     | 4           | (8)      | 86      | (190)     |
| Hose reel + parts for hydraulic swingaway  | 301           | (664)     | -91         | (-201)   | 210     | (463)     |
| 11 m – 18 m (36 ft – 59 ft) hydraulic swingaway  | 1968          | (4338)    | -493        | (-242)   | 1744    | (3845)    |
| Auxiliary boom nose  | 149           | (329)     | -79         | (-174)   | 70      | (154)     |
| 2500 kg (5500 lb) section pinned to superstructure (5,7)   | -1862         | (-4105)   | 4362        | (9616)   | 2500    | (5512)    |
| 2500 kg (5500 lb) section stowed on carrier (1,2)  | 1798          | (3963)    | 572         | (1262)   | 2370    | (5225)    |
| 5000 kg (11,000 lb) section stowed on carrier (3,4)  | 3792          | (8361)    | 1208        | (2662)   | 5000    | (11,023)  |
| 3750 kg (8300 lb) section stowed on carrier (8,9)  | 2852          | (6287)    | 908         | (2002)   | 3760    | (8289)    |
| <b>Substitutions:</b>  |               |           |             |          |         |           |
| 14.00R25 tires   | -240          | (-529)    | -360        | (-794)   | -600    | (-1323)   |
| 20.5R25 tires  | 172           | (379)     | 258         | (569)    | 430     | (948)     |
| <b>Removals:</b>   |               |           |             |          |         |           |
| Boom assembly  | -11 277       | (-24,862) | -3844       | (-8475)  | -15 121 | (-33,336) |
| Front outriggers   | -1354         | (-2986)   | -6          | (-12)    | -1360   | (-2998)   |
| Rear outriggers  | 911           | (2008)    | -2361       | (-5205)  | -1450   | (-3197)   |
| Front and rear outrigger floats  | -37           | (-81)     | -163        | (-360)   | -200    | (-441)    |

# STERLING CRANE

## Counterweight

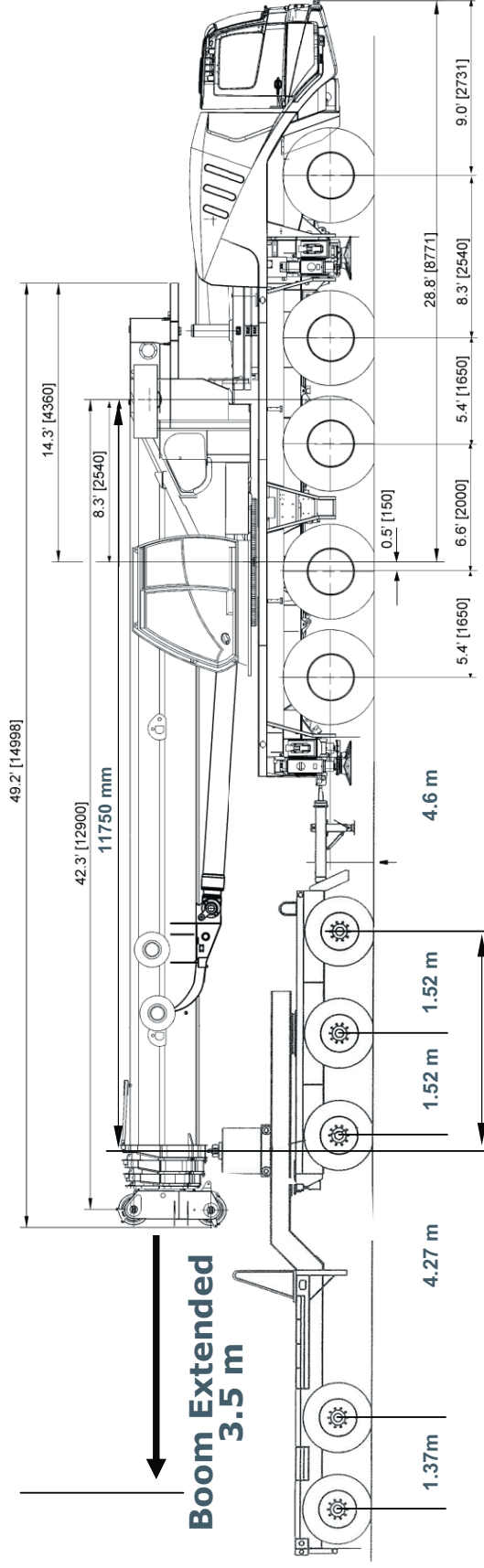


- |                                 |   |
|---------------------------------|---|
| 1. 2500 kg (5500 lb) baseplate  | 7. 2500 kg (5500 lb) pinned                           |
| 2. 2500 kg (5500 lb) stacking   | 8. 3750 kg (8300 lb) stacking                         |
| 3. 5000 kg (11,000 lb) stacking | 9. 3750 kg (8300 lb) stacking                         |
| 4. 5000 kg (11,000 lb) stacking | 10. 5770 kg (12,700 lb) wing                          |
| 5. 2500 kg (5500 lb) pinned     | 11. 1000 kg (2200 lb) bolted (auxiliary hoist or IPO) |

|                                     | 1 | 2 | 3 | 4 | 5 | 7 | 8 | 9 | 10 | 11 |
|-------------------------------------|---|---|---|---|---|---|---|---|----|----|
| Counterweight configuration kg (lb) |   |   |   |   |   |   |   |   |    |    |
| 1000 (2200)                         |   |   |   |   |   |   |   |   |    | •  |
| 3500 (7700)                         |   |   |   |   |   | • |   |   |    | •  |
| 6000 (13,200)                       |   |   |   |   | • | • |   |   |    | •  |
| 8500 (18,700)                       | • |   |   |   | • | • |   |   |    | •  |
| 11 000 (24,200)                     | • |   |   |   |   |   | • | • |    | •  |
| 13 500 (29,700)                     | • |   |   |   |   | • | • | • |    | •  |
| 16 000 (35,200)                     | • |   |   |   | • | • | • | • |    | •  |
| 18 500 (40,700)                     | • |   | • |   |   | • | • | • |    | •  |
| 21 000 (46,200)                     | • |   | • |   | • | • | • | • |    | •  |
| 23 500 (51,800)                     | • | • | • |   | • | • | • | • |    | •  |
| 26 000 (57,300)                     | • |   | • | • | • | • | • | • |    | •  |
| 28 500 (62,800)                     | • | • | • | • | • | • | • | • |    | •  |
| 40 100 (88,400)                     | • | • | • | • | • | • | • | • | 2x | •  |

# STERLING CRANE

## Weight Proposal GMK 5135 Trailing boom with 5 axle dolly



### Unit configuration

42' – 197' boom / 10 X 8 X 10 (drive/steer) / Main and auxiliary hoist with cable /  
36 – 59 ft. hydraulic luffing swingaway / 20.5" tires / Additional oil cooler /  
Outrigger pads stowed on unit / Boom boost: 4 t extending force  
5 axle boom dolly

Weights may vary 3% due to manufacturing tolerances