

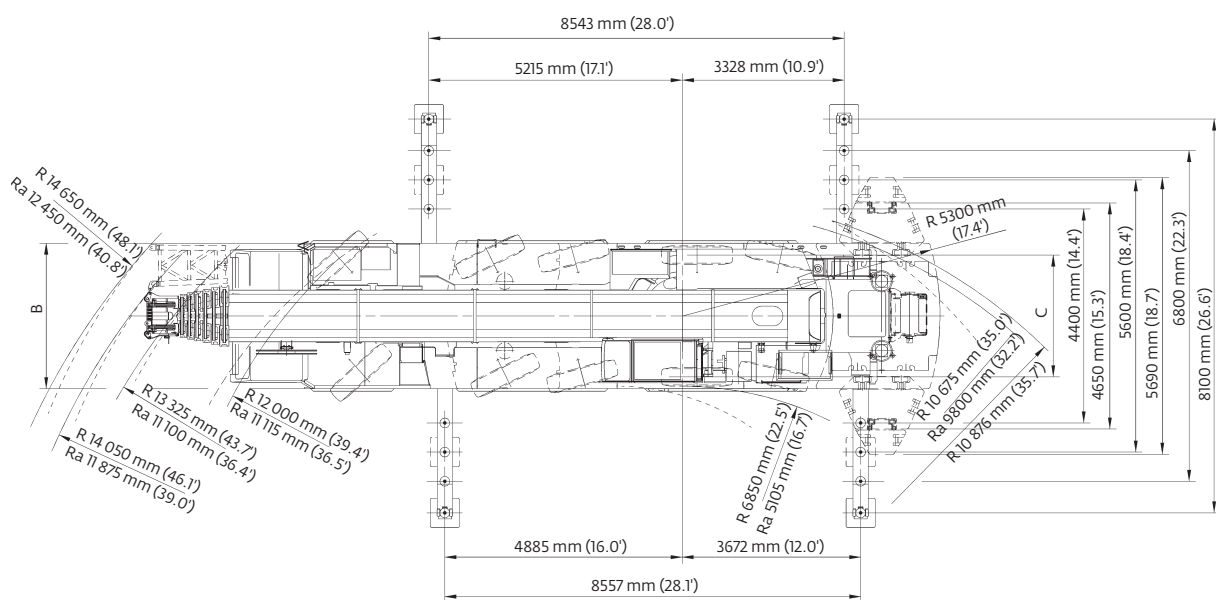
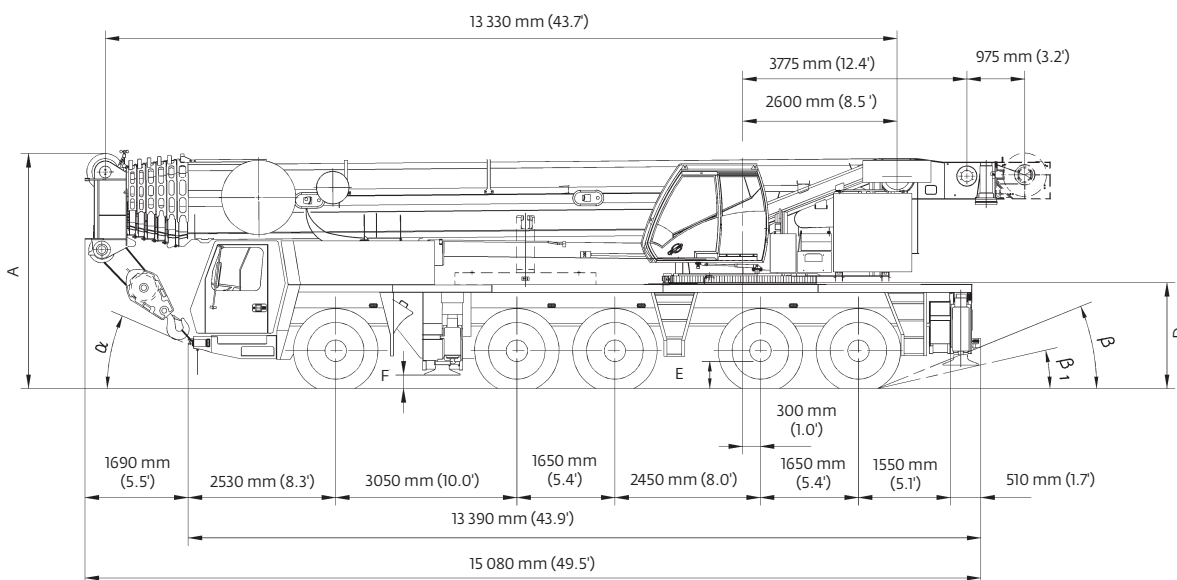


TRANSPORTATION SPECS - All Terrain Cranes

GROVE MODEL GMK5275 - 275 TON CAPACITY

<u>COMPONENT WEIGHTS</u>	<u>LBS.</u>	<u>KGS.</u>	<u>COUNTERWEIGHTS</u>	<u>LBS.</u>	<u>KGS.</u>
Main unit c/w Fly Jib	137,787	62 500	Base Plate (9'10" x 7'11" x 4'2")	24,250	11 000
Main Unit	132,276	60 000	Cwt. (9'10" x 8'5" x 1')	22,046	10 000
Dolly: Nelson CBC-50RT	19,500	8 845	Cwt. (9'10" x 8'5" x 1')	22,046	10 000
Tridem – Tandem 38' x 9'10" x 9'			Cwt. (9'10" x 8'5" x 1')	22,046	10 000
			Cwt. (9'10" x 8'5" x 1')	22,046	10 000
			Cwt. (5'11" x 5'9" x 4'2")	28,660	13 000
			Cwt. (5'11" x 5'9" x 4'2")	<u>28,660</u>	<u>13 000</u>
			TOTAL COUNTERWEIGHT	169,754	77 000
<u>ADDITIONAL INFORMATION</u>			<u>TRANSPORTATION</u>		
165 Ton Block 7 Sheave Block	3,868	1 754	Cwt – Zero	Tandem	
80 Ton 3 Sheave Block	2,127	965	Cwt – 46,200 lb.	Super B	
20 Ton Single Sheave Block	1,306	592	Cwt – 90,300 lb.	2 Tridems	
19 Ton Ball	1,188	539	Cwt – 112,400 lb.	Super B & Tandem	
Swingaway Jib (41' x 5' x 5')	5,512	2 500	Cwt – 169,700 lb.	2 Super B's & Tandem	
2 Jib Extensions (26' x 5'9" x 4'11") ea.	1,356	615			
2m Heavy Duty Jib	882	400			
Auxiliary Winch	7,716	3 500			
4 – 5' x 7' Steel Mats	6,000	2 727			
Front Outriggers	4,167	1 890			
Rear Outriggers	5,159	2 340			
Boom Assembly	46,639	21 155			
4 – Steel Pads ea.	110	50			
Tire Size 20.5R25					

Dimensions North American version

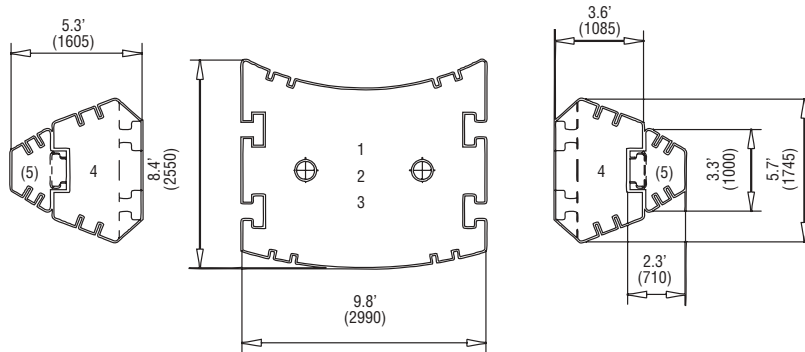
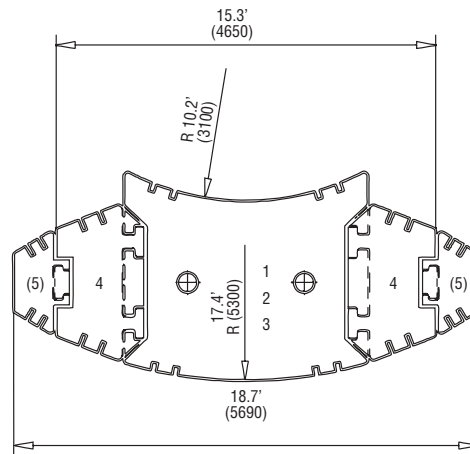
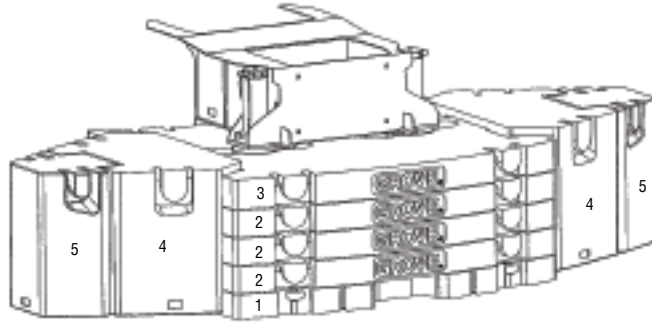


Tires	A	A _{130 mm (0.47)}	B	C	D	E	F	α	β	β_1
14.00 R25	3950 mm (13')	3820 mm (12.5')	2990 mm (9.8')	2570 mm (8.4')	1780 mm (5.8')	400 mm (1.3')	228 mm (0.7')	23°	22°	13°
16.00 R25	4000 mm (13.1')	3870 mm (12.7')	3000 mm (9.8')	2510 mm (8.2')	1830 mm (6.0')	450 mm (1.5')	258 mm (0.8')	25°	24°	15°
20.5 R25	4000 mm (13.1')	3870 mm (12.7')	3000 mm (9.8')	2530 mm (8.3')	1830 mm (6.0')	450 mm (1.5')	258 mm (0.8')	25°	24°	15°

Ra = Radius all wheels steered
*Lowered

STERLING CRANE

counterweight



Counterweight Configuration lb. (kg)

	1 (Baseplate)	2 (Stackable)	3 (Stackable)	4 (Wing)	5 (Wing)
	24,200 (11 000)	22,046 (10 000)	22,046 (10 000)	22,046 (10 000)	6,600 (3 000)
()	•				
()	•	•			
8 ()	•	X			
9 ()	•	X			
()	•	X	•		
(7)	•	X	•	X	
9 7 (77)	•	X	•	X	X