



TRANSPORTATION SPECS - All Terrain Cranes

GROVE MODEL GMK6300L - 350 TON CAPACITY

COMPONENT WEIGHTS

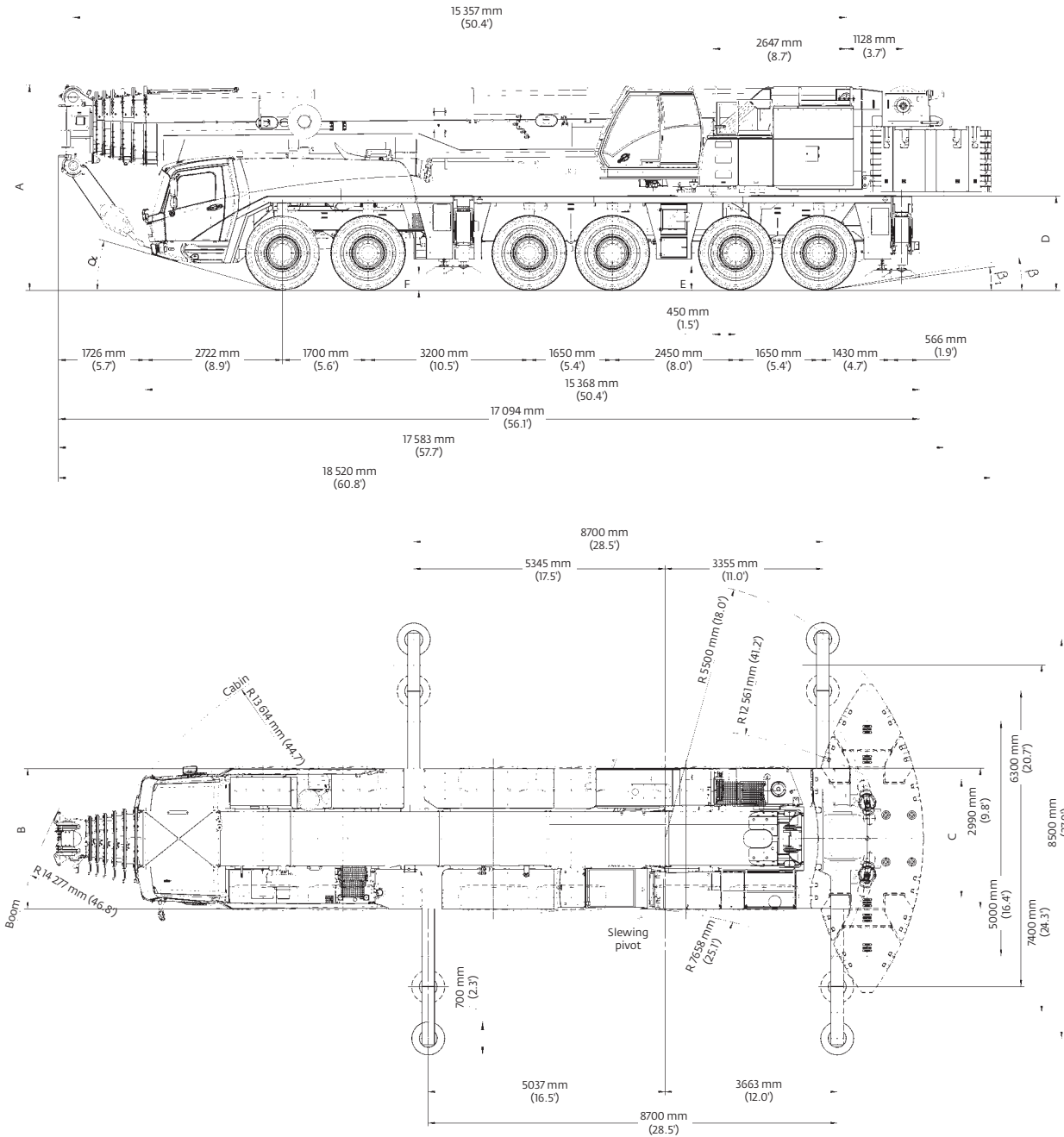
	<u>LBS.</u>	<u>KGS.</u>	<u>COUNTERWEIGHTS</u>	<u>LBS.</u>	<u>KGS.</u>
Main Unit c/w Jib & no cwt	179,359	81,356	1 Cwt. 7.0 t	15,430	7,000
			2 Cwt. 9.5 t (5 Total)	20,940	9,500
			3 Cwt. 10.0 t (2 Total)	22,050	10,000
			4 Cwt. 9.0 t (2 Total)	19,840	9,000
			TOTAL COUNTERWEIGHT	203,910	92,500

ADDITIONAL INFORMATION

Hook Block 160 mt (7 Sheave)	3,860	1,750			
Hook Block 80 mt (3 Sheave)	2,094	950			
Hook Block (Single Sheave) 32 mt	1,323	600			
Runner	137	85			
Swing Away Jib (39' 5" / 68' 11")	4,425	2,007			
			<u>All Provinces / All Seasons</u>		
			Cwt – 15,400 lb.	Tandem	1
			Cwt – 36,300 lb.	Tandem	1
			Cwt – 57,300 lb.	Super B	1
			Cwt – 78,200 lb.	Super B	1
			Cwt – 99,200 lb.	Tridem	2
Auxiliary Winch c/w Rope	4,048	1,836	Cwt – 120,100 lb.	Tandem	1
4 – 6' x 10' Steel Mats	2,520	1,143		Super B	1
			Cwt – 164,200 lb.	Super B	2
Tire Size 16.00R25			Cwt – 203,900 lb.	Super B	2
				Tridem	1

STERLING CRANE

Dimensions



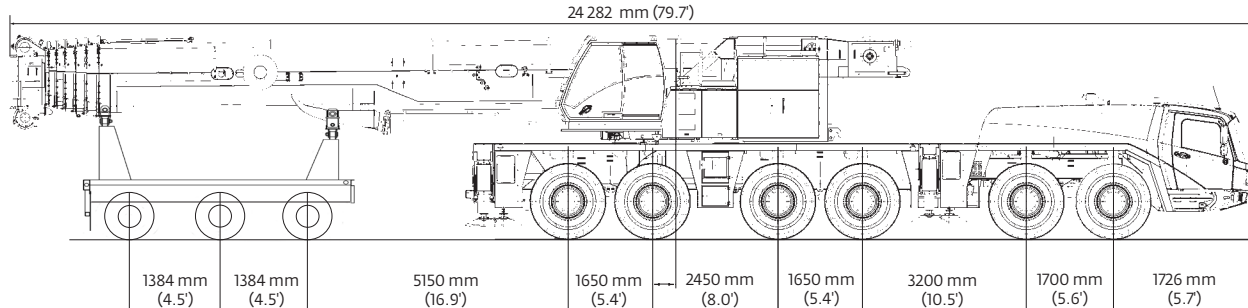
Tires	A	A ^{130 mm (9.4)}	B	C	D	E	F	α	β	β_1
14.00 R25	3950 mm (13.0')	3820 mm (12.5')	2970 mm (9.7')	2570 mm (8.4')	1822 mm (6.0')	400 mm (1.3')	297 mm (1.0')	14°	8°	6°
16.00 R25	4000 mm (13.1')	3870 mm (12.7')	2975 mm (9.8')	2510 mm (8.2')	1872 mm (6.1')	450 mm (1.5')	327 mm (1.1')	16°	10°	8°
20.5 R25	4000 mm (13.1')	3870 mm (12.7')	3070 mm (10.1')	2530 mm (8.3')	1872 mm (6.1')	450 mm (1.5')	327 mm (1.1')	16°	10°	8°

Ra = Radius all wheels steered
 °Lowered

STERLING CRANE

Weights

Trailing boom - PROVISIONAL



PROVISIONAL

Basic Weights - kg (lb)	Axles 1 and 2		Axles 4 - 6		Three dolly axle		Total	
GMK6300L Mercedes power with 20.5R25 tires, 12x8x12 drive/steer, retarder, 12 m - 21 m (39 ft - 69 ft) hydraulic luffing swingaway, 2nd oil cooler, outrigger pads, auxiliary hoist, driver and tanks filled, 3 axle boom dolly (4536 kg [10,000 lb])	14 334	(31,601)	41 171	(90,767)	25 851	(56,992)	81 356	(179,359)
Additions:								
7000 kg (15,400 lb) base section stowed on carrier	3390	(7474)	3270	(7209)	0	(0)	6660	(14,683)
Removals:								
Brackets for hydraulic swingaway including hose reel	- 41	(-90)	- 112	(-247)	- 303	(-668)	- 456	(-1005)
12 m - 21 m (39 ft - 69 ft) hydraulic swingaway	- 73	(-161)	- 196	(-432)	-1738	(-3832)	-2007	(-4425)
Front outriggers	-1516	(-3342)	- 884	(-1949)	0	(0)	-2400	(-5291)
Rear outriggers	1686	(3717)	-4386	(-9669)	0	(0)	-2700	(-5952)
Front and rear outrigger floats	- 1	(-2)	- 281	(-619)	0	(0)	- 282	(-622)
Substitutions:								
12x6x12 drive/steer	147	(324)	- 537	(-1184)	0	(0)	- 390	(-860)
14.00R25 tires	- 412	(-908)	- 825	(-1819)	0	(0)	-1237	(-2727)
16.00R25 tires	-172	(-379)	- 343	(-756)	0	(0)	- 515	(-1135)

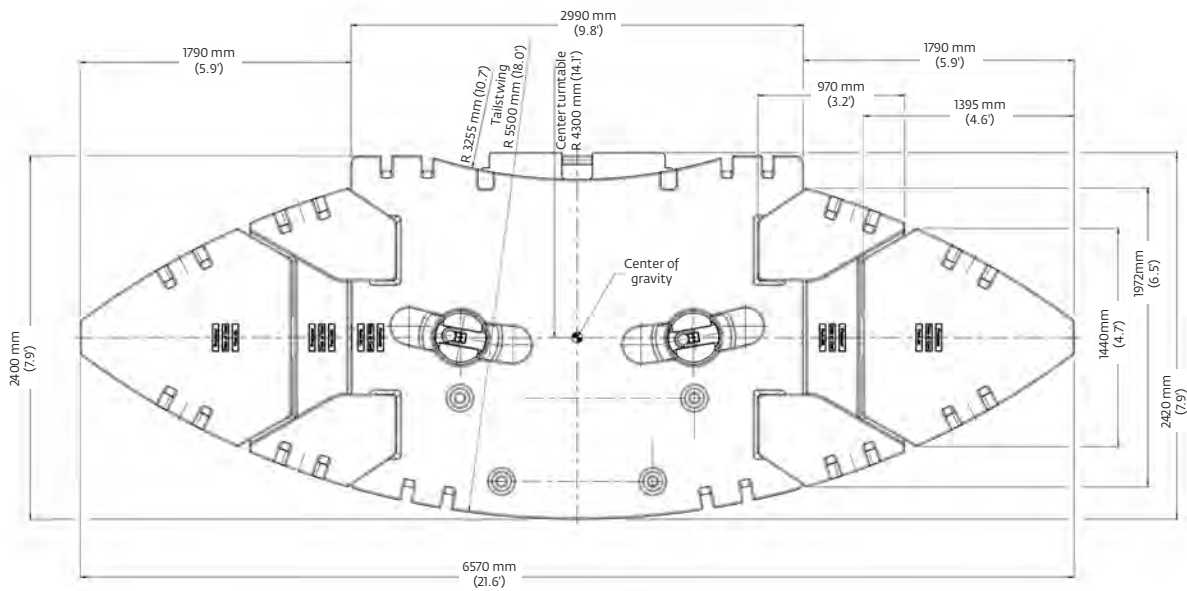
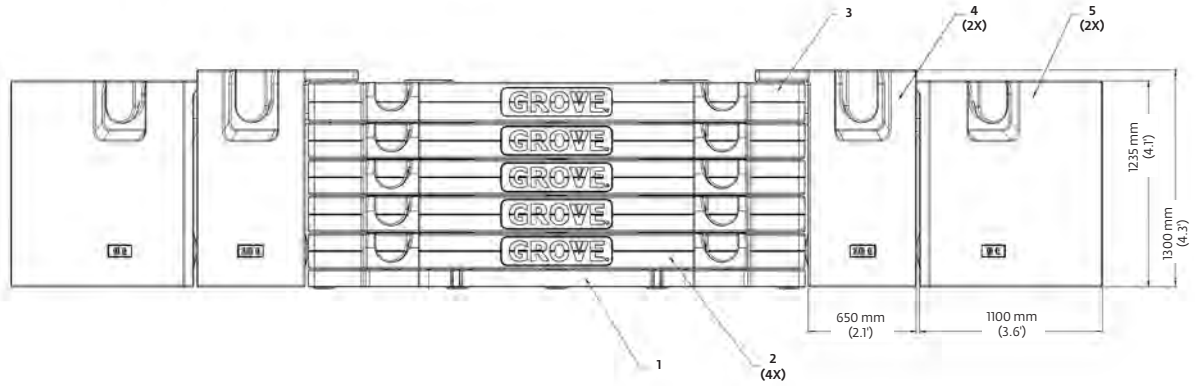
Boom over front -PROVISIONAL

PROVISIONAL

Basic Weights - kg (lb)	Axles 1 and 2		Axles 3 - 6		Total	
Mercedes power, 16.00R25 tires, 12x6x12 drive/steer, retarder, 2nd oil cooler, outrigger pads, driver and tanks filled	22 769	(50,197)	48 740	(107,453)	71 509	(157,650)
Additions:						
12x8x12 drive/steer	- 147	(-324)	537	(1184)	390	(860)
Brackets for hydraulic swingaway	57	(126)	29	(64)	86	(190)
Hose reel + parts for hydraulic swingaway	211	(465)	159	(351)	370	(816)
12 m - 21 m (39 ft - 69 ft) hydraulic swingaway	1840	(4057)	167	(368)	2007	(4425)
Auxiliary hoist	-1427	(-3146)	3263	(7194)	1836	(4048)
7000 kg (15,400 lb) base plate stowed on carrier	3390	(7474)	3270	(7209)	6660	(14,683)
Substitutions:						
14.00R25 tires	- 241	(-531)	- 481	(-1060)	- 722	(-1592)
20.5R25 tires	172	(379)	343	(756)	515	(1135)
Removals:						
Front and rear outrigger floats	- 1	(-2)	- 281	(-619)	- 282	(-622)

STERLING CRANE

Counterweight



	1 7,0 t (15,430 lb)	2 9,5 t (20,940 lb)	3 9,5 t (20,940 lb)	4 10,0 t (22,050 lb)	5 9,0 t (19,840 lb)
7,0 t (15,400 lb)	X	-	-	-	-
16,5 t (36,300 lb)	X	X	-	-	-
26,0 t (57,300 lb)	X	2 X	-	-	-
35,5 t (78,200 lb)	X	3 X	-	-	-
45,0 t (99,200 lb)	X	4 X	-	-	-
54,5 t (120,100 lb)	X	4 X	X	-	-
74,5 t (164,200 lb)	X	4 X	X	2 X	-
92,5 t (203,900 lb)	X	4 X	X	2 X	2 X