

STERLING CRANE



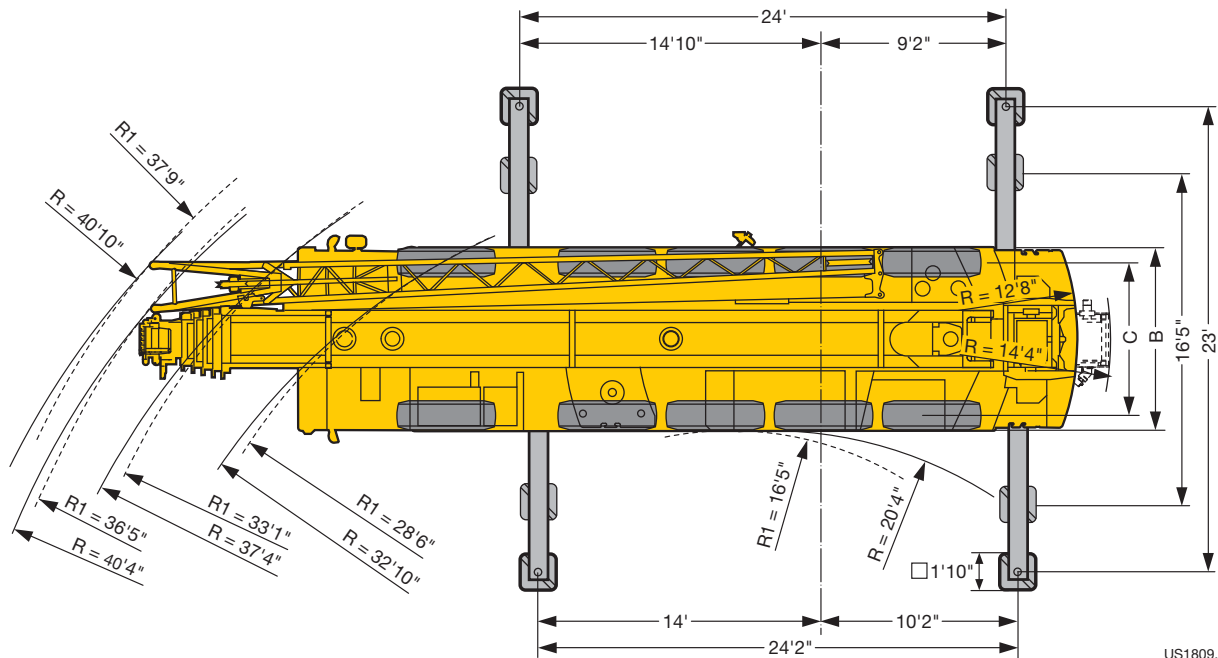
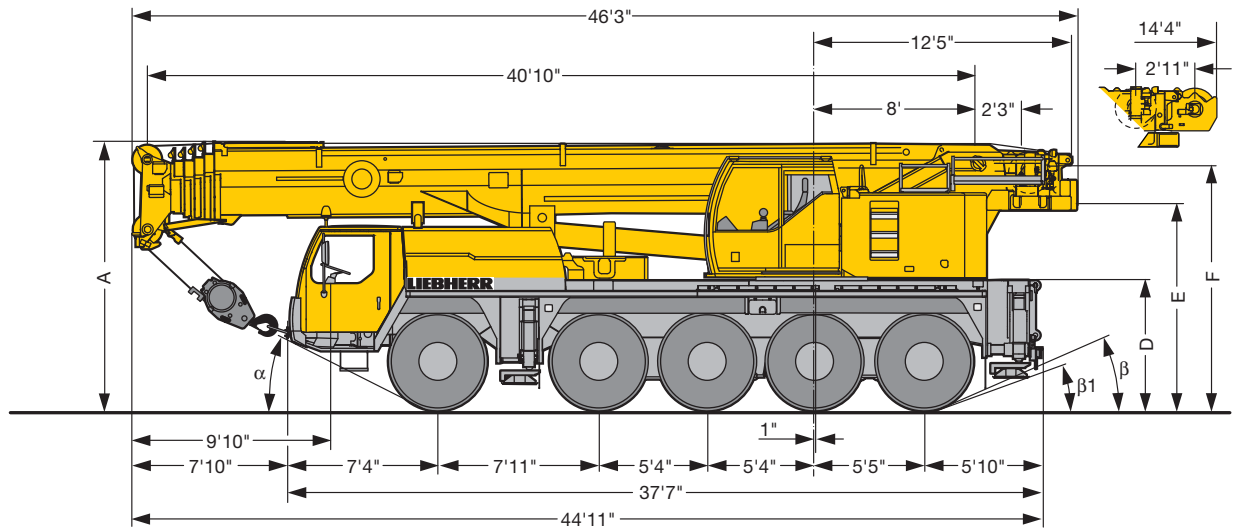
TRANSPORTATION SPECS - All Terrain Cranes

LIEBHERR MODEL LTM 1095-5.1 - 120 TON CAPACITY

<u>COMPONENT WEIGHTS</u>	<u>LBS.</u>	<u>KGS.</u>
Complete Crane c/w Full Counterweight and Block	189,286	85 860
House, Carrier and Boom - 44' 11" / 37' 7" x 9' 10" x 13' 1"	132,276	60 000
<u>Counterweights</u>		
#1 – Hoist 2	1,543	700
#2 – Plate	8,377	3 800
#3 – Plate	4,189	1 900
#4 & #5 – Plates Each	6,724	3 050
#6 & #7 – Plates Each	1,543	700
#8 – Plate	20,062	9 100
Total Counterweight	50,706	23 000
Boom Dolly – CBC20ST	6,700	3 071
<u>ADDITIONAL WEIGHTS</u>		
69.4 mt – 5 Sheave Block	1,102	500
17.6 mt – Single Sheave Block	661	300
6.6 mt – Ball	309	140
Swingaway Jib 34' – 62' (Dual Folding c/w Hyd Angle Adjustment)	3,351	1 520
23' Lattice Extension	1,190	540
Tire Size 20.5R25		

STERLING CRANE

Dimensions Encombrement



US1809.01

R_i = All-wheel steering · Direction toutes roues

Dimensions · Encombrement										
	A	A	B	C	D	E	F	α	β	β _i
16.00 R 25	13'1"	12'10"	9'	7'7"	6'4"	10'1"	12'3"	20°	20°	17°
20.5 R 25	13'1"	12'10"	9'9"	8'	6'4"	10'1"	12'3"	20°	20°	17°

* lowered · abaissé