



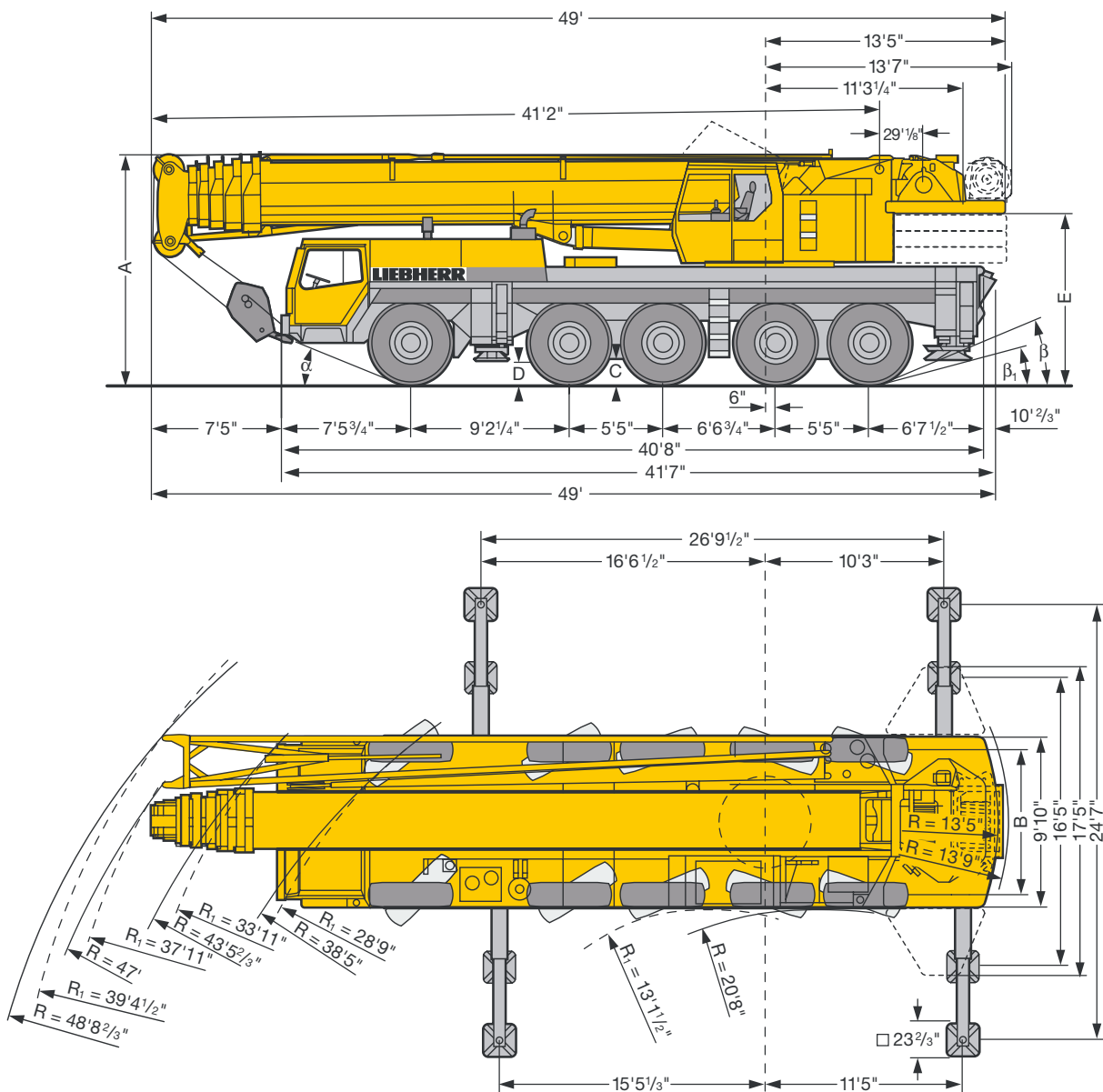
## TRANSPORTATION SPECS - All Terrain Cranes

### LIEBHERR MODEL LTM 1150-5 - 170 TON CAPACITY

<u>COMPONENT WEIGHTS</u>	<u>LBS.</u>	<u>KGS.</u>		<u>LBS.</u>	<u>KGS.</u>
Main Unit , Outriggers, Cwt #1 & Swing Jib	132,276	60 000	1. 5t (9'10" x 6'7" x 3'6")	11,023	5 000
Boom Dolly: Nelson CBC 50RT (38'3" x 9'10" x 9'2")	19,500	8 845	2. 2t (9'10" x 3' x 1'4")	4,409	2 000
Counterweight – Minimum	11,023	5 000	3. 8t (9'10" x 6'7" x 1'4")	17,636	8 000
Counterweight - Maximum	110,230	50 001	4. 10t (9'10" x 6'7" x 1'4")	22,045	10 000
			5. 10t (9'10" x 6'7" x 1'4")	22,045	10 000
			6. 7.5t (5'3" x 4'6" x 3')	16,535	7 500
			7. 7.5t (5'3" x 4'6" x 3')	16,535	7 500
<u>ADDITIONAL INFORMATION</u>			<u>ALL PROVINCES / ALL SEASONS</u>	<u>NO.</u>	<u>TRAILER</u>
100 Ton Block (5 sheave)	1,544	700	• 33,068 lb. cwt & misc.	(1)	Tandem
63 Ton Block (3 sheave)	1,544	700	• 55,113 lb. cwt. & misc.	(1)	Tridem
30 Ton Block (1 sheave)	993	450	• 77,158 lb. cwt. & misc.	(1)	S/B Train
Swingaway Jib (38'9" x 3'4" x 5'5")	5,291	2 400		or (2)	Tandems
Lattice Jib Extension (23'4" x 3' x 5'3")	1,400	640	• 110,230 lb. cwt. & misc.	(1)	S/B Train
Lattice Jib Extension (23'4" x 2'3" x 3'7")	1,190	540		+	(1) Tridem
4 Steel Mats (5' x 7" x 8" each)	1,500 each	615			

# STERLING CRANE

## Dimensions Encombrement



R<sub>1</sub> = All-wheel steering / Direction toutes roues



Dimensions / Encombrement mm									
A	A	B	C	D	E	$\alpha$	$\beta$	$\beta_1$	
13'1 1/2"	12'7 1/2"	8'4 3/4"	18'1/2"	14'2/3"	13'3/4"	23°	23°	15°	