



## TRANSPORTATION SPECS - All Terrain Cranes

### LIEBHERR MODEL LTM 1250-6 - 300 TON CAPACITY

#### COMPONENT WEIGHTS

Main Unit c/w Fly Jib

158,731

72 000

Main Unit

152,955

69 380

Boom Dolly – TBA

#### COUNTERWEIGHTS

Base Plate (9'10" x 8'3" x 3'2")

22,046

10 000

Cwt. (9'10" x 8'3" x 1')

27,558

12 500

Cwt. (9'10" x 8'3" x 1'2")

27,558

12 500

Cwt. (9'10" x 8'3" x 1'3")

27,558

12 500

Cwt. (7'7" x 3'5" x 5'5")

27,558

12 500

Cwt. (7'7" x 3'5" x 5'5")

27,558

12 500

Cwt. (5'11" x 4'2" x 5'5")

27,558

12 500

Cwt. (5'11" x 4'2" x 5'5")

27,558

12 500

TOTAL

214,949

97 500

#### ADDITIONAL INFORMATION

176 Ton 7 Sheave DJ Block

3,748

1 700

137 Ton 5 Sheave DJ Block

3,307

1 500

88 Ton 3 Sheave DJ Block

2,866

1 300

35 Ton Single Sheave Block

1,852

840

13 Ton Ball

1,100

500

Swingaway Jib (42' x 3'6" x 6'4")

5,115

2 320

2 Jib Ext. (23'4" x 4'5" x 3'6") each

2,358

1 070

Auxiliary Winch c/w Rope

7,033

3 190

4 – Steel 6' x 8' Mats

10,080

4 580

Tire Size 20.5R25

#### LUFFING JIB

Jib Adapter (23' x 5'7" x 5'5")

3,020

1 370

Assembly Unit (44' x 6'5" x 7'9")

13,184

5 980

3 – 7m Inserts (24'7" x 5'7" x 4'2")

3,197

1 450

3.5m Insert (11'6" x 5'7" x 4'3")

926

420

7m Insert (24' x 5'7" x 4'7")

1,698

770

Reducer (6'11" x 4'3" x 4'3")

595

270

Tip (25'5" x 5' x 4'7")

2,293

1 040

#### **All Provinces / All Seasons:**

Cwt – Zero

Tandem

Cwt – 22,500 lb.

Tandem

Cwt – 49,200 lb.

Tridem

Cwt – 77,000 lb.

2 Tridems

Cwt – 104,500 lb.

Super B & Tandem

Cwt – 132,000 lb.

Super B & Tridem

Cwt – 187,400 lb.

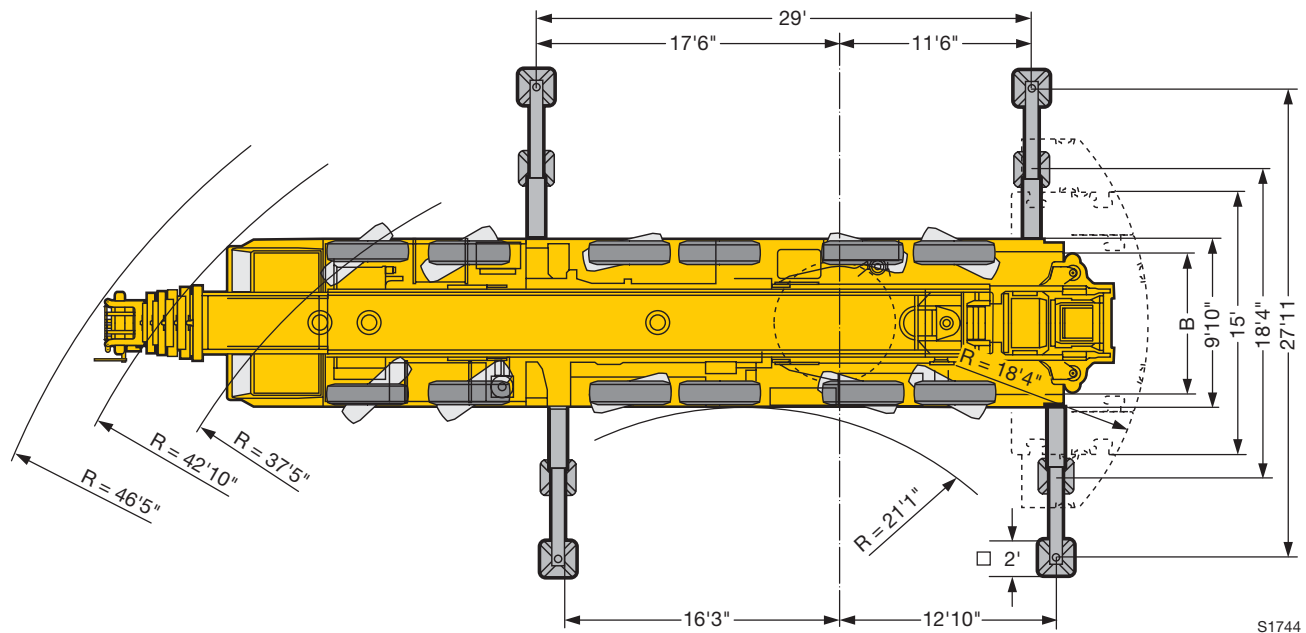
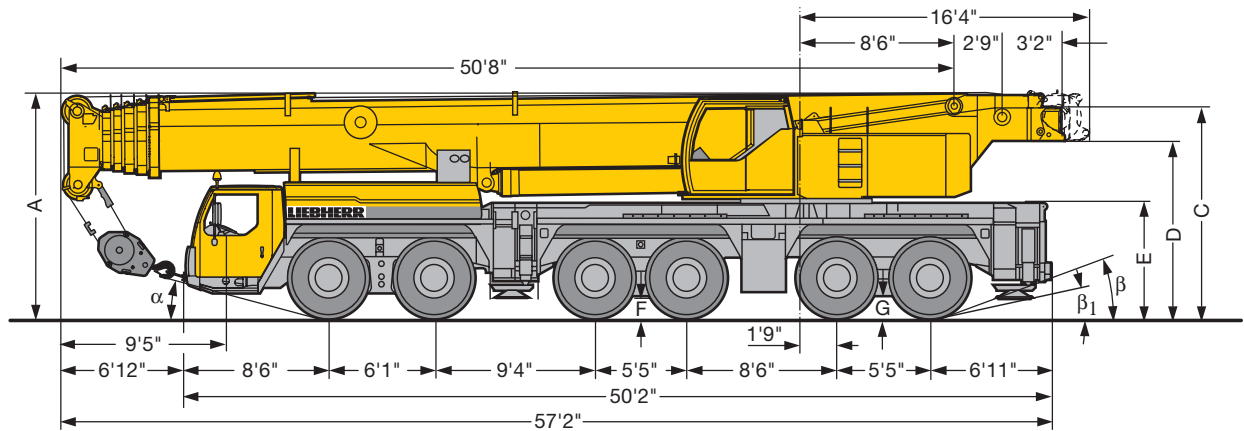
2 Super Bs & Tandem

Cwt – 214,900 lb.


2 Super Bs & Tridem

# STERLING CRANE

## Dimensions Encombrement



S1744

		Dimensions / Encombrement										
		A	A	B	C	D	E	F	G	$\alpha$	$\beta$	$\beta_1$
 16.00 R 25 * lowered / abaissé		13'1"	0'6" 12'8"	8'4"	12'4"	10'	6'9"	1'3"	1'6"	17°	19°	13°