



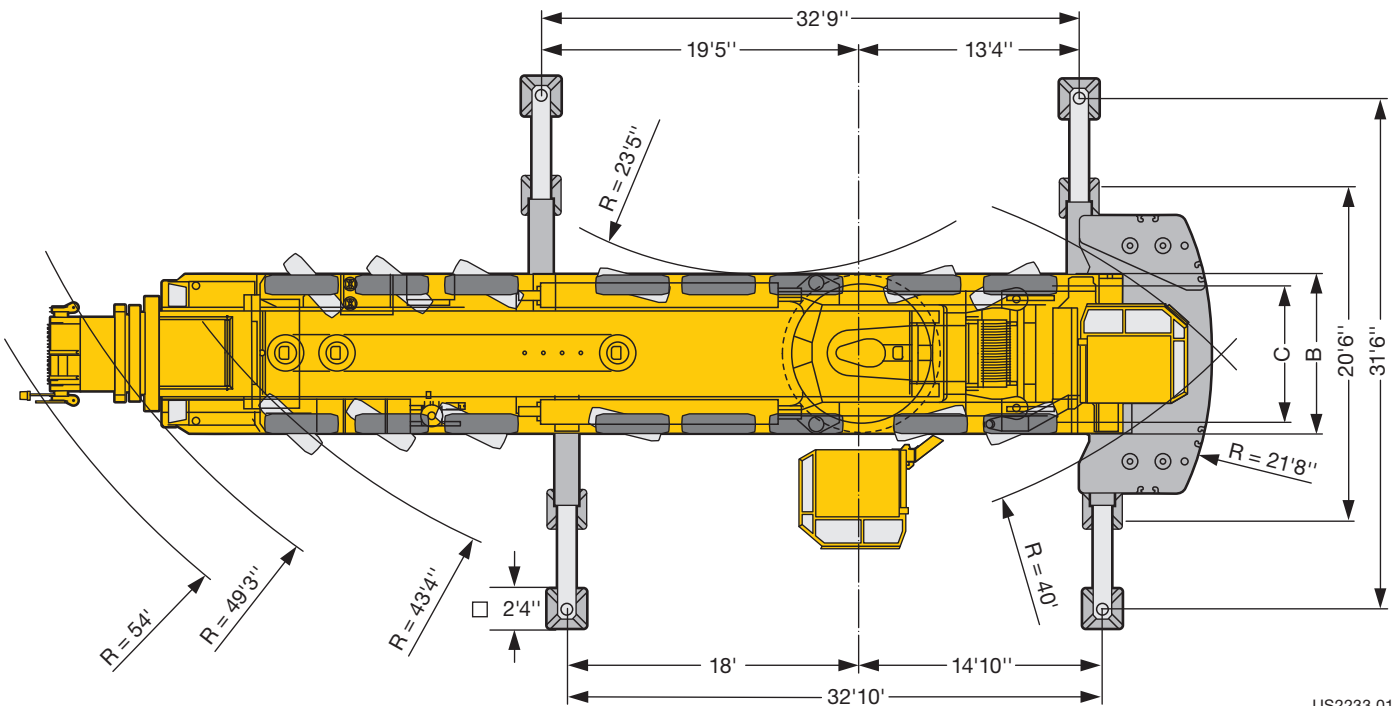
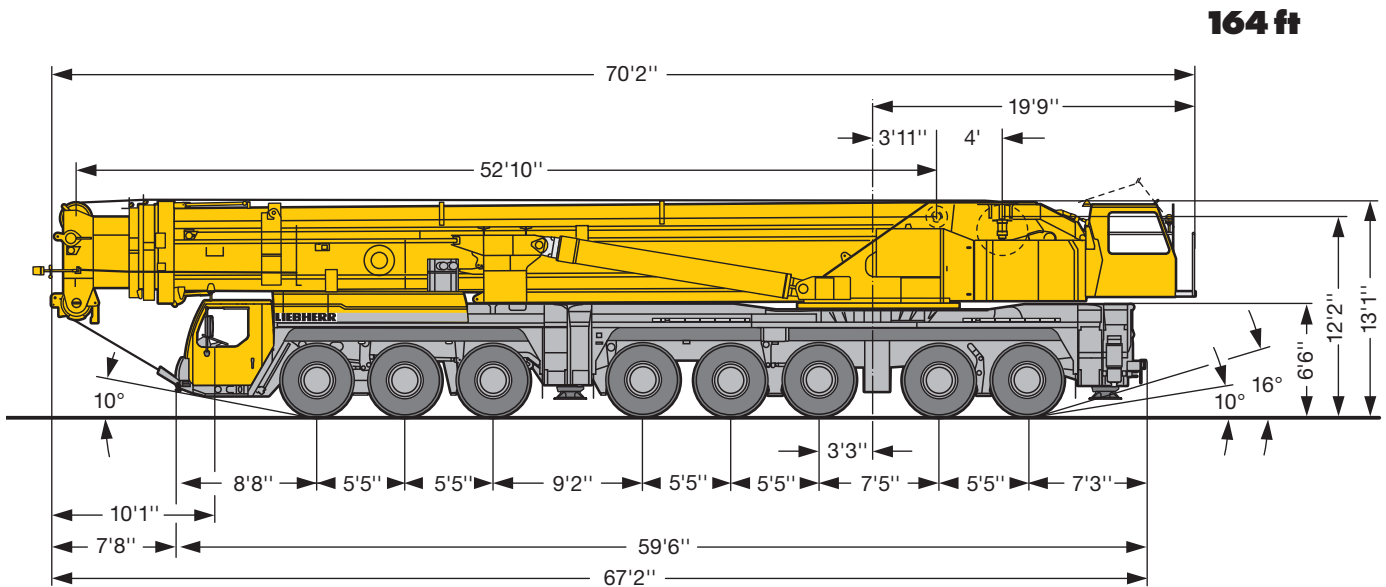
## TRANSPORTATION SPECS - All Terrain Cranes

### LIEBHERR MODEL LTM 1500-8.1 - 620 TON CAPACITY

<u>COMPONENT WEIGHTS</u>	<u>LBS.</u>	<u>KGS.</u>	<u>COUNTERWEIGHTS</u>	<u>LBS.</u>	<u>KGS.</u>
Machine with T 50m boom	211,644	96,000	1 Cwt.plate 15.0 t, each (6 Total) (5.2m x 2.5m x 0.30m)	33,070	15,000
Main Boom T50m with luffing cylinders	90,000	40,700			
Main Boom T84m with luffing cylinders	116,000	52,400			
Telescopic Boom T3, T4, T5, T6 including supports	45,305	20,550	2 Cwt. Receiver plate15.0 t (4.7m x 2.3m x 1.8m)	33,070	15,000
Outtrigger Beam (each)	4,740	2,150	3 Cwt plate 15.0 t, each (4 Total) (2.4m x 1.4m x 1.0m)	33,070	15,000
Boom Cradles (each)	1,544	700			
TY Guying	30,000	13,600	<b>TOTAL COUNTERWEIGHT</b>	<b>363,770</b>	<b>165,000</b>
			<b>Jib</b>		
			N Assembly Unit	26,456	12,000
			NA Intermediate section 14m	5,732	2,600
			NA Intermediate section 7m	3,131	1,420
			NI Intermediate section 14m	5,291	2,400
			NI Intermediate section 7m	3,087	1,400
			N Reducing Section	1,985	900
			TF Adaptor	3,527	1,600
			TN/TF Adaptor	4,189	1,900
			N Head Section 8m	5,953	2,700
			<b>All Provinces / All Seasons</b>		
			Cwt – 33,100 lb.	Tandem	1
			Cwt – 66,100 lb.	Super B	1
			Cwt – 99,200 lb.	Tandem	1
				Super B	1
			Cwt – 132,300 lb.	Super B	2
			Cwt – 165,400 lb.	Tandem	1
				Super B	2
			Cwt – 198,400 lb.	Super B	3
			Cwt – 231,500 lb.	Tandem	1
				Super B	3
			Cwt – 297,600 lb.	Tandem	1
				Super B	4
			Cwt. – 363,800 lb	Tandem	1
				Super B	5
<b>ADDITIONAL INFORMATION</b>					
Hook Block 250 mT (11 Sheave)	8,158	3,700			
Hook Block 100 mT (3 Sheave)	5,732	2,600			
Hook Block 40 mT (1 Sheave)	3,087	1,400			
12.5 mT Ball	1,544	700			
Boom Nose	1,102	500			
TY Guying Spacer	2,315	1,050			
Mounting Jib	2,911	1,320			
Eccentric TY Guying	1,764	800			
Cwt Frame with Winch 2 & 3	47,400	21,500			
Winch 1 with rope	7,716	3,500			
4 – 8' x 12' Steel Mats	30,000	13,608			
Pulley Cart	1,102	500			
Rope Box	1,830	830			
Tire Size 525/80 R25					


# STERLING CRANE

## Dimensions Encombrement



US2233.01

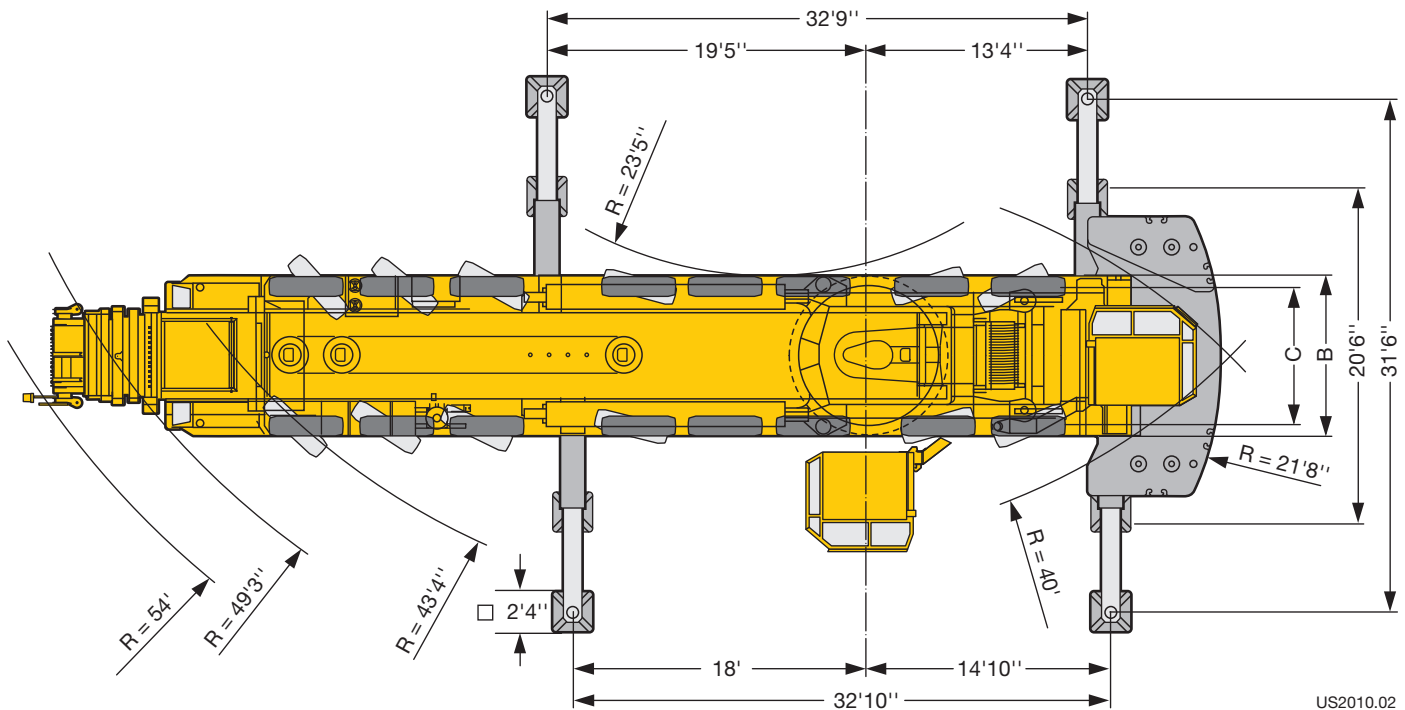
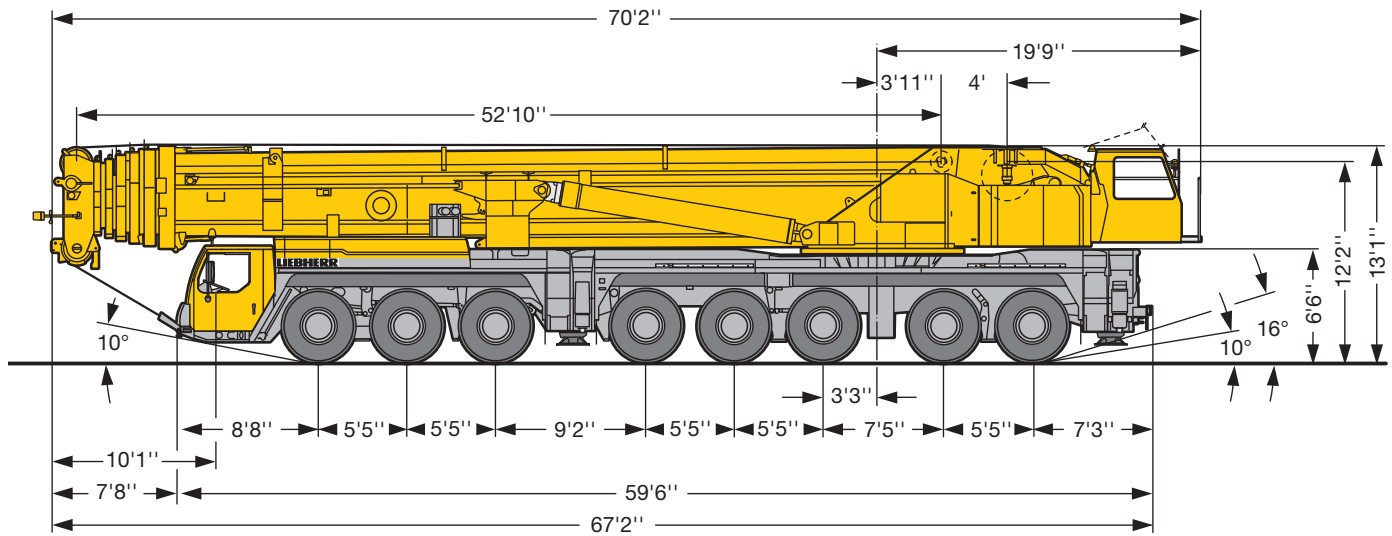
Tyres 385/95 R 25 (14.00 R 25) - Pneumatiques 385/95 R 25 (14.00 R 25)

	Dimensions · Encombrement	
	B	C
		
385/95 R 25 (14.00 R 25)	9'10"	8'7"
445/95 R 25 (16.00 R 25)	9'10"	8'4"
525/80 R 25 (20.5 R 25)	10'7"	8'10"

# STERLING CRANE


## Dimensions Encombrement

**276 ft**



US2010.02

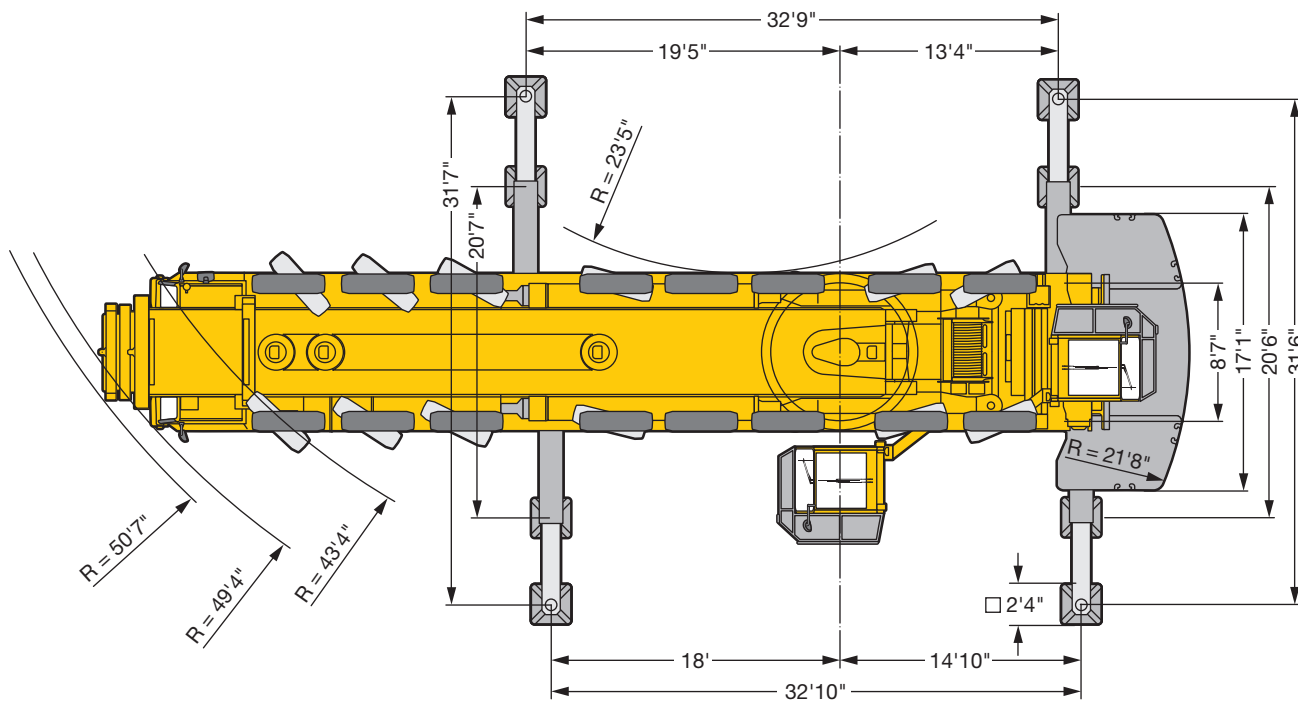
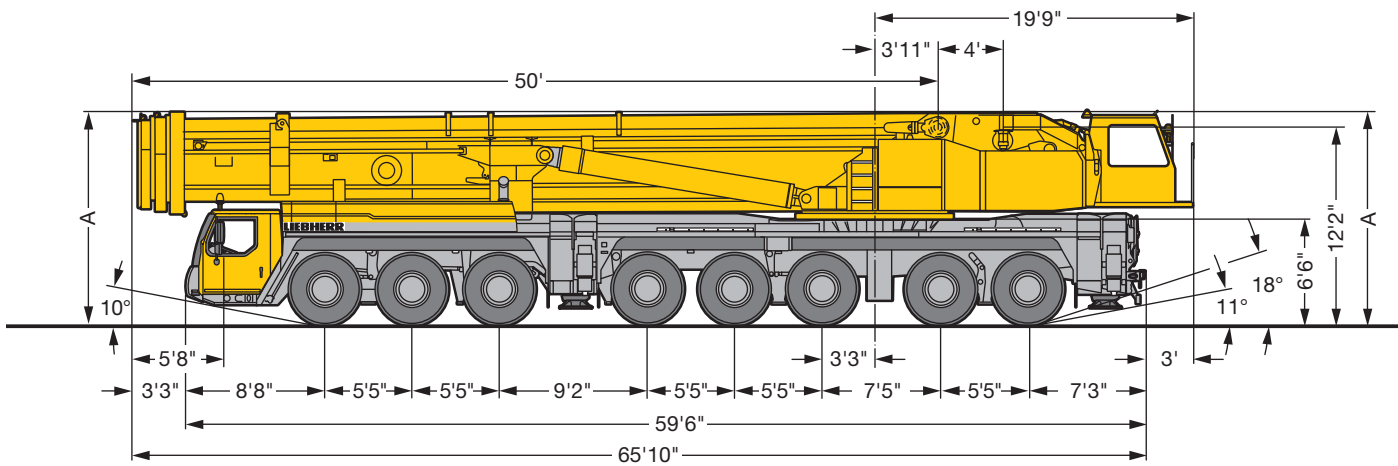
Tyres 385/95 R 25 (14.00 R 25) · Pneumatiques 385/95 R 25 (14.00 R 25)

	Dimensions · Encombrement	
	B	C
 385/95 R 25 (14.00 R 25)	9'10"	8'7"
445/95 R 25 (16.00 R 25)	9'10"	8'4"
525/80 R 25 (20.5 R 25)	10'7"	8'10"

# STERLING CRANE

## Dimensions - Operating on road Encombrement - Déplacement sur route

276 ft



US2775