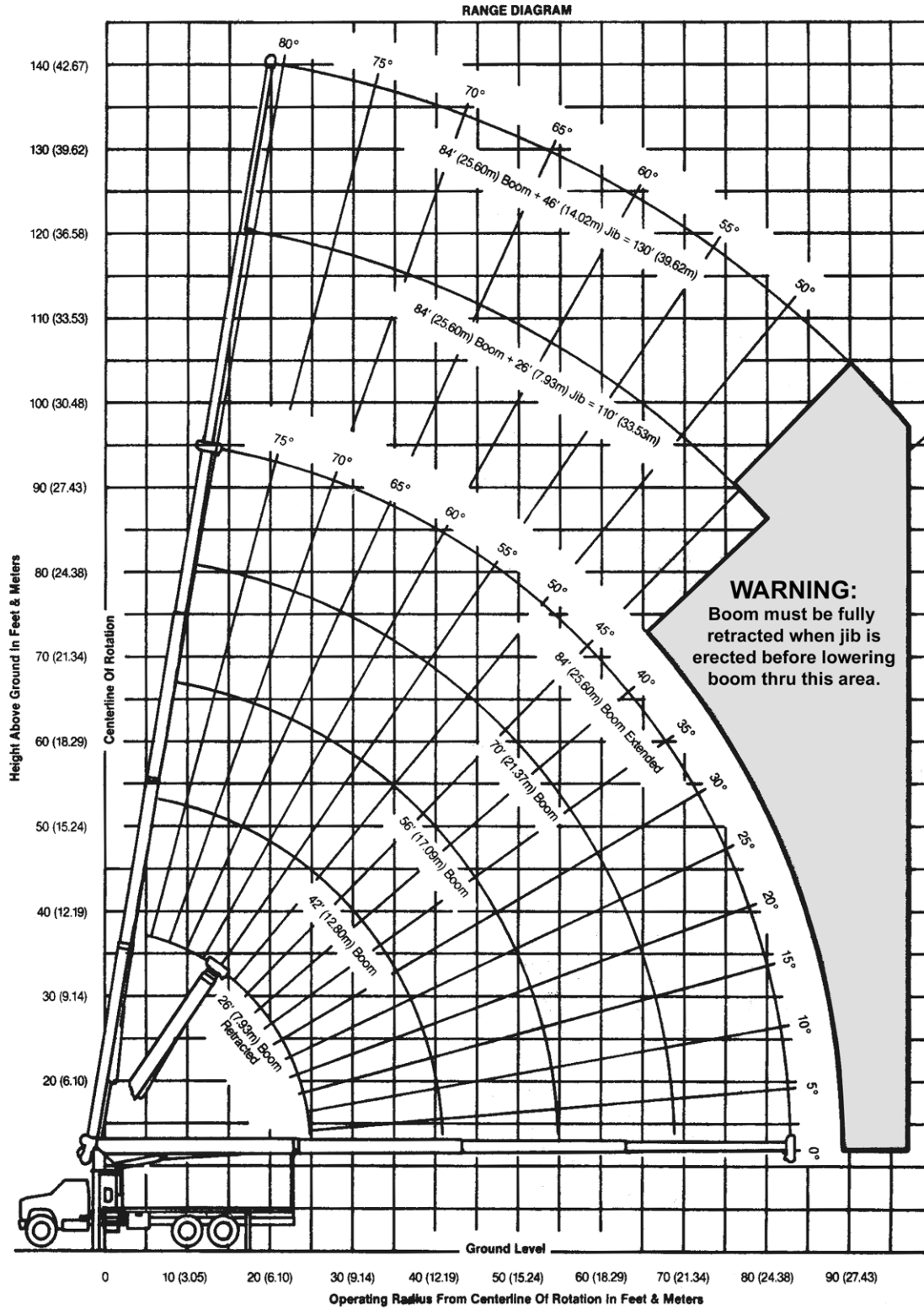


STERLING CRANE



LIFTING CHARTS - Boom Trucks

MANITEX MODEL 2284 - 22 TON CAPACITY



STERLING CRANE

LOAD RATING CHARTS

OUTRIGGERS AND STABILIZERS EXTENDED

Operating Radius		Load rating 26' (7.92m) Boom			Load rating 42' (12.80m) Boom			Load rating 56' (17.07m) Boom			Load rating 70' (21.34m) Boom			Load rating 84' (25.60m) Boom						
		Loaded Bm. Angle	Pounds	Kilograms	Loaded Bm. Angle	Pounds	Kilograms	Loaded Bm. Angle	Pounds	Kilograms	Loaded Bm. Angle	Pounds	Kilograms	Loaded Bm. Angle	Pounds	Kilograms				
Feet	Meters																			
4'	1.22	80°	44,000	19,958																
6'	1.83	77°	34,600	15,695																
8'	2.44	72°	27,800	12,610																
10'	3.05	67°	23,350	10,591	77°	20,000	9,072													
12'	3.66	62°	20,200	9,163	74°	17,860	8,101	79°	16,400	7,439										
14'	4.27	57°	17,780	8,065	71°	15,660	7,103	76°	14,400	6,532	80°	13,320	6,042							
16'	4.88	51°	15,870	7,199	68°	13,930	6,319	74°	12,780	5,797	78°	11,770	5,339							
20'	6.10	38°	12,800	5,806	62°	11,400	5,171	70°	10,400	4,717	75°	9,570	4,341	78°	8,900	4,037				
25'	7.62				54°	9,230	4,187	64°	8,400	3,810	70°	7,710	3,497	74°	7,180	3,257				
30'	9.14				44°	7,630	3,461	58°	7,000	3,175	66°	6,410	2,908	71°	5,910	2,681				
35'	10.67				33°	6,260	2,839	52°	5,910	2,681	61°	5,410	2,454	67°	4,980	2,259				
40'	12.19				14°	4,500	2,041	45°	5,040	2,286	56°	4,630	2,100	63°	4,260	1,932				
45'	13.72							37°	4,260	1,932	51°	4,000	1,814	59°	3,670	1,665				
50'	15.24							26°	3,470	1,574	45°	3,460	1,569	55°	3,190	1,447				
55'	16.76										39°	2,960	1,343	51°	2,770	1,256				
60'	18.28										31°	2,430	1,102	46°	2,390	1,084				
65'	19.81										21°	1,920	871	41°	2,010	912				
70'	21.34													35°	1,620	735				
75'	22.86													27°	1,300	590				
80'	24.38													19°	990	449				
Deduction for Stowed Jib																				
			650	295			400	181			300	136			250	113			200	91

JIB LOAD RATING IN LBS./KGS. WITH OUTRIGGERS AND STABILIZERS EXTENDED

Operating Radius		Jib Load Rating 26' (7.92m) Jib For All Boom Lengths			Jib Load Rating 46' (14.02m) Jib For All Boom Lengths		
		Loaded Bm. Angle	Pounds	Kilograms	Loaded Bm. Angle	Pounds	Kilograms
Feet	Meters						
25'	7.62	79°	4,510	2,046			
30'	9.14	76°	3,890	1,765	79°	3,100	1,406
35'	10.67	74°	3,350	1,519	77°	2,800	1,270
40'	12.19	71°	2,900	1,315	75°	2,520	1,143
45'	13.71	68°	2,500	1,134	72°	2,240	1,016
50'	15.24	65°	2,170	984	70°	1,980	898
55'	16.76	62°	1,870	848	67°	1,750	794
60'	18.23	59°	1,520	689	65°	1,550	703
65'	19.81	56°	1,240	562	63°	1,370	621
70'	21.34	52°	980	445	60°	1,210	549
75'	22.86	49°	760	345	57°	1,050	476
80'	24.38	45°	570	258	54°	850	386
85'	25.91				51°	680	308
90'	27.43				48°	520	236

INFORMATION: Deductions must be made from rated loads for stowed jib, optional attachments, hooks, and load blocks (see deduction chart). Weights of slings and all other load handling devices shall be considered a part of the load.

Deductions From Rated Loads For Manitex Supplied Load Handling Devices		
Hanger Sheave	50 Lbs.	(23 Kgs.)
Overhaul Ball	120 Lbs.	(54 Kgs.)
Single Sheave Load Block	280 Lbs.	(127 Kgs.)
Double Sheave Load Block	350 Lbs.	(159 Kgs.)
Triple Sheave Load Block	380 Lbs.	(172 Kgs.)
Hose Reel	140 Lbs.	(64 Kgs.)
Swing-Around Jib	See load chart	

Main boom load ratings above the heavy line are based on a constant hoist cylinder pressure, machine structural competence, and do not exceed 85% of tipping. Jib load ratings above the heavy line are based only on machine structural competence and do not exceed 85% of tipping.

DO NOT OPERATE A MANITEX TRUCK-MOUNTED CRANE OR ACCESSORIES WITHIN 10' (3.05m) OF LIVE POWER LINES.

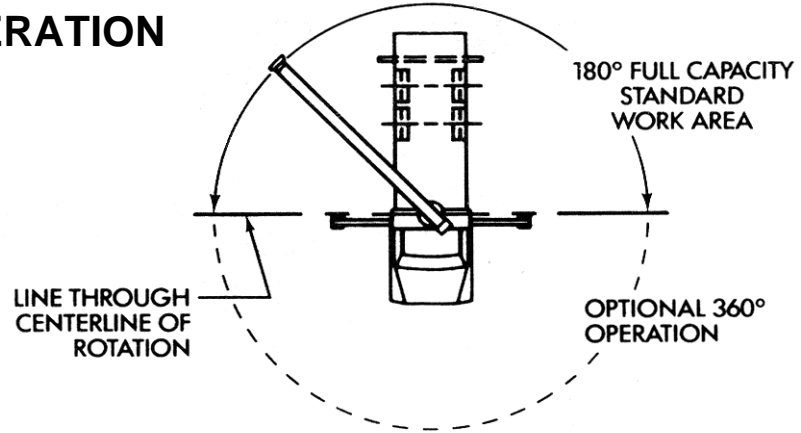
WARNING: Before operating any Manitex crane, the operator must read and understand the owner's manual and other instructions for a specific serial number crane. This chart is only a guide. The notes and warnings are for illustration only and cannot be used to operate a crane.

The operating radius shown in the jib load rating chart is for fully extended boom only. When boom is not fully extended, use only loaded boom angle to determine load rating of jib. Do not rely on capacity alert system when lifting from jib.

Crane load ratings on outriggers are based on freely suspended loads with the machine leveled and standing on a firm uniform supporting surface. No attempt shall be made to move a load horizontal on the ground in any direction.

STERLING CRANE

AREA OF OPERATION



ALLOWABLE LINE PULL

1-PART LINE	2-PART LINE	3-PART LINE	4-PART LINE	5-PART LINE	6-PART LINE
<p>OVERHAUL BALL</p>	<p>SINGLE SHEAVE BLOCK</p>	<p>SINGLE SHEAVE BLOCK</p>	<p>DOUBLE SHEAVE BLOCK</p>	<p>AUXILIARY BLOCK DOUBLE SHEAVE BLOCK</p>	<p>AUXILIARY BLOCK TRIPLE SHEAVE BLOCK</p>
8,500 Lbs. (3,856 Kgs.) ¹ 7,400 Lbs. (3,357 Kgs.) ²	17,000 Lbs. (7,711 Kgs.) ¹ 14,800 Lbs. (6,713 Kgs.) ²	25,500 Lbs. (11,567 Kgs.) ¹ 22,200 Lbs. (10,070 Kgs.) ²	34,000 Lbs. (15,422 Kgs.) ¹ 29,600 Lbs. (13,426 Kgs.) ²	42,500 Lbs. (19,278 Kgs.) ¹ 37,000 Lbs. (16,783 Kgs.) ²	44,000 Lbs. (19,958 Kgs.) ¹ 44,000 Lbs. (19,958 Kgs.) ²

WARNING: Anti-two block system must be in good operating condition before operating crane. Refer to Owner's Manual. Keep at least 3 wraps of load line on drum at all times.

- (1) With 9/16" (14.3mm) 6 x 25 IWRC (3.5:1 S.F.) 29,750 Lbs. (13,494 Kgs.) Minimum Breaking Strength.
- (2) With 9/16" (14.3mm) Rotation resistant (5.0:1 S.F.) 37,000 Lbs. (16,783 Kgs.) Minimum Breaking Strength.

STERLING CRANE

GENERAL SPECIFICATIONS

