



TRANSPORTATION SPECS - Boom Trucks

NATIONAL MODEL 990 - 25 TON CAPACITY

COMPONENT WEIGHTS

	<u>LBS.</u>	<u>KGS.</u>
Complete Crane (Incl. Block, Ball & Jib)	45,921	*20 830
Crane Only	19,800	8 985

Certificate Weight

24 300

*Actual Scaled Weight
Unit 25-7-628

ADDITIONAL INFORMATION

22 Ton Block	325	147
4.5 Ton Ball	150	68
27' – 48' Swing Away Telejib (25-7-628 only)	1,500	680
Main Load Line (9/16" x 320')	189	86

DECK INFORMATION

25-7-618	8' x 20' Deck
25-7-619	8' x 20' Deck

TRANSPORTATION

Average Driving Speed

80 km/hr

Alberta, British Columbia and
Saskatchewan

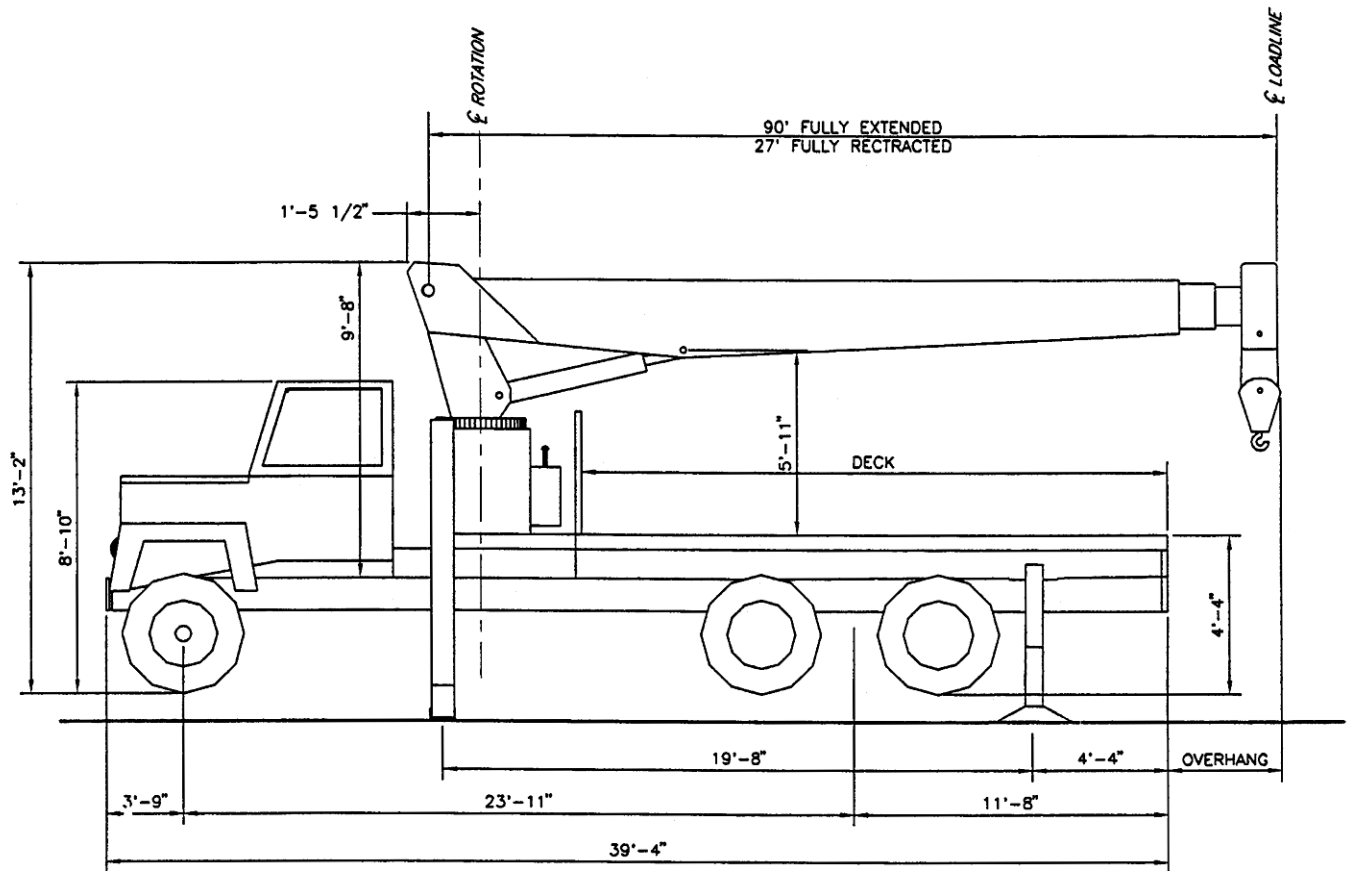
Trailer

- All Seasons

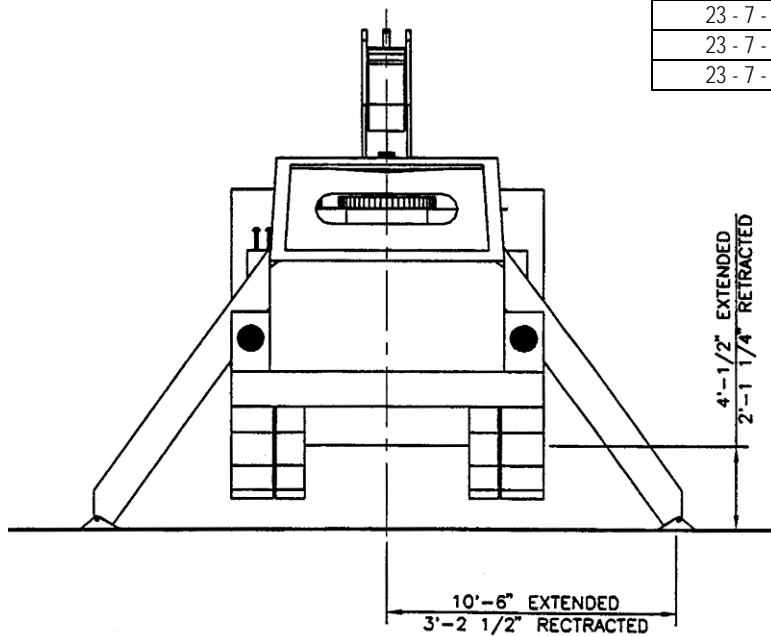
Drive

-

STERLING CRANE



BOOM TRUCK #	L.O.A	OVERHANG	DECK
23 - 7 - 618	36' - 5"	NA	8' x 20'
23 - 7 - 619	36' - 5"	NA	8' x 20'
23 - 7 - 628	36' - 4"	22"	8' x 20'



FRONT STABILIZER