



TRANSPORTATION SPECS - Boom Trucks

TADANO MODEL TM1882 - 18 TON CAPACITY

COMPONENT WEIGHTS

	<u>LBS.</u>	<u>KGS.</u>
Complete Crane & Truck (2005 Peterbuilt Model 357)	38,000	17,237
Crane Only	15,700	7,121

ADDITIONAL INFORMATION

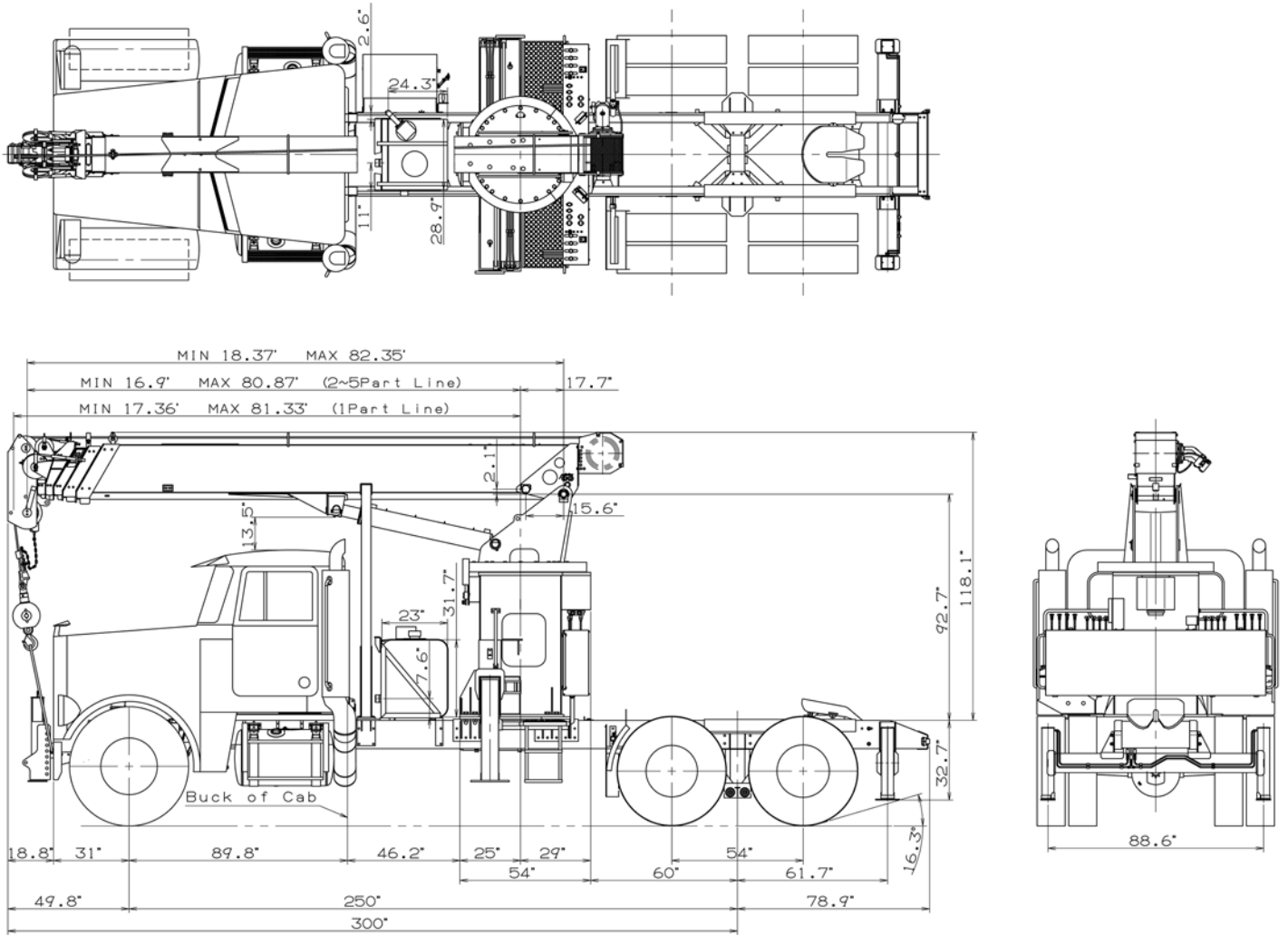
4 Ton Ball	182	83
Load Line 9/16"x282'		
Tire Size: Front 385/65R22.5 – 18 ply Rear 11R22.5 – 14 ply		

TRANSPORTATION

Maximum Driving Speed	50 MPH	80 km/h
-----------------------	--------	---------

STERLING CRANE

DIMENSIONS



STERLING CRANE

DIMENSIONS

