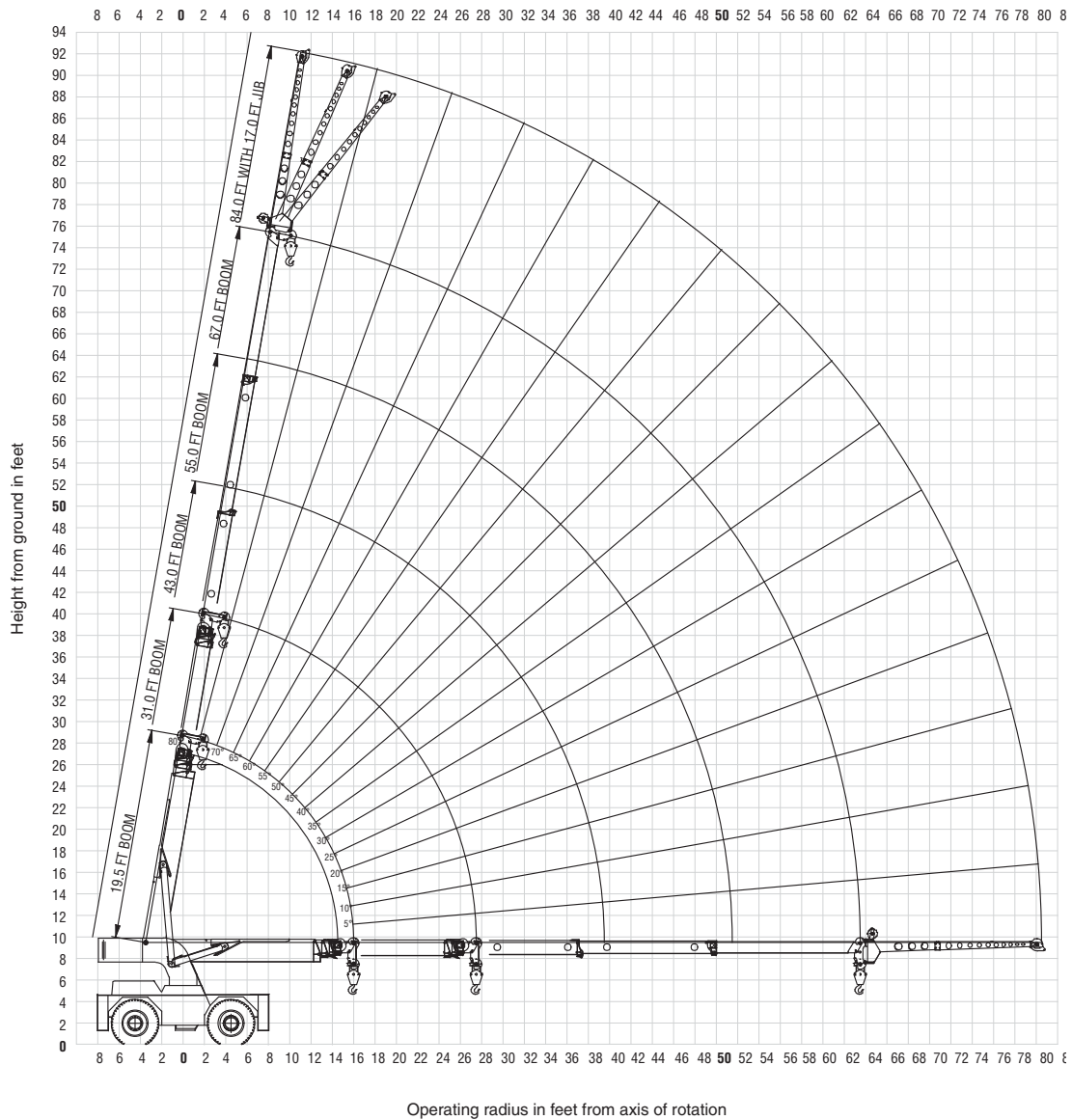




range diagram

YB7722 XL (5-section boom)



STERLING CRANE

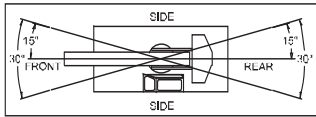
load chart

YB7722 XL (5-section boom)

MAIN HOOM LOAD RATINGS ON OUTRIGGERS Extended and Down 360° or Retracted and Down Front/Rear																				
Radius (ft)	Boom Angle (deg)	19.5 ft Boom		21.5-31 ft Boom		31 ft Boom		32-42 ft Boom		43 ft Boom		44-54 ft Boom		55 ft Boom		55-66 ft Boom		67 ft Boom		
		Rated Load (lbs)	Rated Load (lbs)	Rated Load (lbs)	Rated Load (lbs)	Rated Load (lbs)	Rated Load (lbs)	Rated Load (lbs)	Rated Load (lbs)	Rated Load (lbs)	Rated Load (lbs)	Rated Load (lbs)	Rated Load (lbs)	Rated Load (lbs)	Rated Load (lbs)	Rated Load (lbs)	Rated Load (lbs)	Rated Load (lbs)	Rated Load (lbs)	
8.5	5H	44000	26500	71	26500	25400	74	25400	19500	79	19500	-	-	-	-	-	-	-	-	
10	52	40000	26500	64	24200	24200	72	24200	17600	76	17600	14500	76	14500	76	14500	76	14500	76	14500
12	44	33800	26300	59	22900	22900	69	22900	16100	74	16100	13200	74	13200	77	13200	77	13200	77	13200
14	33	28500	22900	55	20900	20900	66	20900	14400	71	14400	12200	75	12200	75	12200	75	12200	75	12200
16	0	23700	20900	50	19300	19300	63	17900	13700	69	13700	11200	73	11200	73	11200	73	11200	73	11200
18	-	-	17900	46	17200	16100	60	16100	12200	67	12200	10400	71	10400	71	10400	71	10400	71	10400
20	-	-	-	39	16400	14800	56	14600	12000	64	12000	9700	69	9700	69	9700	69	9700	69	9700
22	-	-	-	31	14700	13300	53	13300	11200	62	11200	9100	67	9100	67	9100	67	9100	67	9100
24	-	-	-	22	13200	12300	49	12300	10600	60	10600	8600	66	8600	66	8600	66	8600	66	8600
26	-	-	-	0	11600	11600	47	11600	10200	58	10200	8200	64	8200	64	8200	64	8200	64	8200
27.5	-	-	-	-	-	9500	42	10500	9400	55	9400	7700	62	7700	62	7700	62	7700	62	7700
30	-	-	-	-	-	7900	32	9700	8700	53	8700	7300	60	7300	60	7300	60	7300	60	7300
32	-	-	-	-	-	7100	26	8700	8100	49	8100	6900	58	6900	58	6900	58	6900	58	6900
34	-	-	-	-	-	7100	26	7900	7600	46	7600	6600	56	6600	56	6600	56	6600	56	6600
36	-	-	-	-	-	6900	18	7000	7000	43	7100	6300	53	6300	53	6300	53	6300	53	6300
38	-	-	-	-	-	6400	0	6400	6400	41	6800	6100	52	6100	52	6100	52	6100	52	6100
39.5	-	-	-	-	-	-	-	-	5700	38	6300	5600	49	5600	49	5600	49	5600	49	5600
42	-	-	-	-	-	-	-	-	5300	32	5900	5600	47	5600	47	5600	47	5600	47	5600
44	-	-	-	-	-	-	-	-	4900	28	5300	5300	44	5300	44	5300	44	5300	44	5300
46	-	-	-	-	-	-	-	-	4600	23	4800	4600	42	4600	42	4600	42	4600	42	4600
48	-	-	-	-	-	-	-	-	4400	16	4400	4400	39	4700	39	4700	39	4700	39	4700
50	-	-	-	-	-	-	-	-	4000	0	4000	4000	37	4500	37	4500	37	4500	37	4500
51.5	-	-	-	-	-	-	-	-	-	-	-	3800	35	4200	35	4200	35	4200	35	4200
54	-	-	-	-	-	-	-	-	-	-	-	3600	29	3900	29	3900	29	3900	29	3900
56	-	-	-	-	-	-	-	-	-	-	-	3400	25	3600	25	3600	25	3600	25	3600
58	-	-	-	-	-	-	-	-	-	-	-	3200	20	3300	20	3300	20	3300	20	3300
60	-	-	-	-	-	-	-	-	-	-	-	3000	14	3000	14	3000	14	3000	14	3000
62	-	-	-	-	-	-	-	-	-	-	-	2800	0	2800	0	2800	0	2800	0	2800
63.5	-	-	-	-	-	-	-	-	-	-	-	-	-	-	-	-	-	-	-	-

MAIN HOOM LOAD RATINGS ON OUTRIGGERS Retracted and Down 360°																				
Radius (ft)	Boom Angle (deg)	19.5 ft Boom		20.5-30 ft Boom		31 ft Boom		32-42 ft Boom		43 ft Boom		44-54 ft Boom		55 ft Boom		55-66 ft Boom		67 ft Boom		
		Rated Load (lbs)	Rated Load (lbs)	Rated Load (lbs)	Rated Load (lbs)	Rated Load (lbs)	Rated Load (lbs)	Rated Load (lbs)	Rated Load (lbs)	Rated Load (lbs)	Rated Load (lbs)	Rated Load (lbs)	Rated Load (lbs)	Rated Load (lbs)	Rated Load (lbs)	Rated Load (lbs)	Rated Load (lbs)	Rated Load (lbs)	Rated Load (lbs)	
8.5	5H	31000	26500	71	26500	26400	76	26400	19500	79	19500	-	-	-	-	-	-	-	-	
10	52	24000	22300	64	22300	22000	74	22000	19500	77	19500	-	-	-	-	-	-	-	-	
12	44	17200	16300	64	16300	16300	72	17000	17000	76	17000	14500	76	14500	76	14500	76	14500	76	14500
14	33	13300	12500	58	12500	12500	68	13500	13500	74	14000	13200	77	13200	77	13200	77	13200	77	13200
16	0	10200	9100	55	9100	9100	66	11100	11100	71	11200	11200	75	11500	75	11500	75	11500	75	11500
18	-	-	7900	50	7900	7900	63	9100	9100	69	9300	9300	73	9400	73	9400	73	9400	73	9400
20	-	-	6500	45	6500	6500	60	7500	7500	67	7700	7700	71	7700	71	7700	71	7700	71	7700
22	-	-	5300	38	5300	5300	56	6200	6200	64	6600	6600	69	6600	69	6600	69	6600	69	6600
24	-	-	4300	31	4300	4300	53	5200	5200	62	5600	5600	67	5600	67	5600	67	5600	67	5600
26	-	-	3500	22	3500	3500	48	4400	4400	60	4900	4900	66	5000	66	5000	66	5000	66	5000
27.5	-	-	2900	0	2900	2900	47	3900	3900	58	4300	4300	64	4600	64	4600	64	4600	64	4600
30	-	-	-	-	-	2600	42	3200	3200	55	3600	3600	62	3900	62	3900	62	3900	62	3900
32	-	-	-	-	-	2300	37	2700	2700	52	3100	3100	60	3400	60	3400	60	3400	60	3400
34	-	-	-	-	-	1900	32	2300	2300	48	2700	2700	56	2900	56	2900	56	2900	56	2900
36	-	-	-	-	-	1750	26	1900	1900	46	2300	2300	54	2500	54	2500	54	2500	54	2500
38	-	-	-	-	-	1500	18	1600	1600	43	2000	2000	53	2100	53	2100	53	2100	53	2100
39.5	-	-	-	-	-	-	-	1400	0	1400	1400	41	1750	41	1750	41	1750	41	1750	
42	-	-	-	-	-	-	-	-	-	-	1150	36	1450	36	1450	36	1450	36	1450	
44	-	-	-	-	-	-	-	-	-	-	1000	32	1200	32	1200	32	1200	32	1200	
46	-	-	-	-	-	-	-	-	-	-	850	28	1000	28	1000	28	1000	28	1000	
48	-	-	-	-	-	-	-	-	-	-	750	23	850	23	850	23	850	23	850	
50	-	-	-	-	-	-	-	-	-	-	650	16	700	16	700	16	700	16	700	
51.5	-	-	-	-	-	-	-	-	-	-	600	0	600	0	600	0	600	0	600	
54	-	-	-	-	-	-	-	-	-	-	-	-	450	33	500	33	500	33	500	
56	-	-	-	-	-	-	-	-	-	-	-	-	350	29	350	29	350	29	350	
58	-	-	-	-	-	-	-	-	-	-	-	-	250	25	250	25	250	25	250	
60	-	-	-	-	-	-	-	-	-	-	-	-	150	20	150	20	150	20	150	
62	-	-	-	-	-	-	-	-	-	-	-	-	50	14	50	14	50	14	50	
63.5	-	-	-	-	-	-	-	-	-	-	-	-	-	0	0	0	0	0	0	0

RATINGS REDUCTIONS FOR LOAD (LIFTING DEVICES INSTALLED (lbs))		
	FRONT	JIB
MAIN HOOK	400	N/A
HOOK & HALL	100	100
JIB SLOWED	0	N/A
JIB DLPLOYED	500	0



- The rated loads are the maximum lifting capacities as determined by operating radius, boom length, and boom angle. The operating radius is the horizontal distance from a projection of the axis of rotation to the supporting surface, before loading, to the center of vertical hoist line or tackle with load applied.
- Rated load columns for discrete boom lengths apply when actual boom length is within +/- 1.0 ft. of discrete length. For other boom lengths, use appropriate intermediate boom length column.
- For operating radius not shown, use load rating of next larger radius.
- The rated loads shown on outriggers do not exceed 85% of actual lifting. The rated loads shown on rubber do not exceed 75% of actual lifting. These ratings are based on freely suspended loads with the crane leveled, standing on a firm, uniform supporting surface. Practical working loads depend on supporting surface, operating radius and other factors affecting stability. Hazardous surroundings, climatic conditions, experience of personnel and proper handling must all be taken into account by the operator.
- The weights of all load handling devices such as hooks, hook blocks, slings, etc., except for the hoist rope, shall be considered as part of the load. See reduction chart.
- Ratings on outriggers are for either outriggers fully extended and down or fully retracted and down. Ratings for outriggers fully retracted and down will apply for any intermediate outrigger setting.
- Ratings on rubber depend on the capacity, condition of tires and proper inflation pressure (110 psi). Loads on rubber may be transported at a maximum speed of 2.5 mph on a smooth hard level surface with boom retracted to the shortest length possible and centered over front. For 360° ratings on rubber, rear axle oscillation locks must be in place. Do not use jib with crane on rubber.
- The maximum combined total boom and deck load is 20,000 lbs. The maximum deck load only is 30,000 lbs.

MAIN HOOM ON RUBBER		
Any Boom Length		
Radius (ft)	Front Rating (lbs)	360° Rating (lbs)
8	30000	21000
8	28000	19000
10	26000	16000
12	19600	12400
14	15600	9500
16	12400	7400
18	9800	5700
20	8100	4800
22	6800	3700
24	5700	3000
26	4900	2350
30	4200	2100
32	3700	1800
34	3300	1550
36	3000	1300
38	2700	1100
40	2500	950
42	2200	800
44	2000	675
46	1800	550
48	1650	450
50	1400	350
52	1300	250
54	1150	200
56	1050	150
58	950	75
60	875	25
62	700	-

SHOULD BE GOVERNED BY STRUCTURAL STEERING, DO NOT RELY ON LIPPING.

OPERATION OF THIS EQUIPMENT IN EXCESS OF RATING CAPACITIES AND DISREGARD OF INSTRUCTIONS IS DANGEROUS AND VOID WARRANTY.

MAXIMUM PERMISSIBLE SINGLE LINE PULL = 11,000 lbs

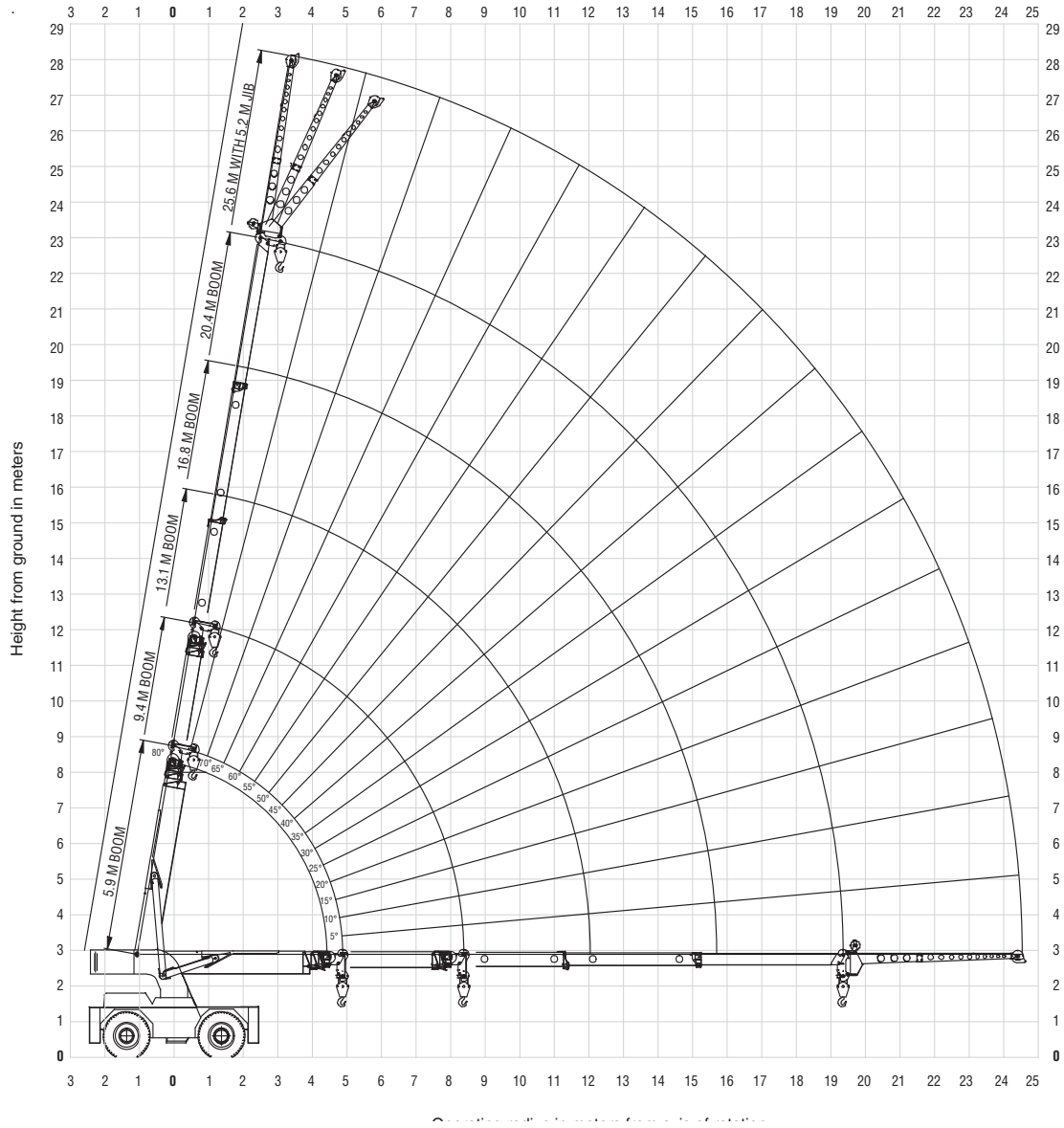
WIRE ROPE: 5/16 inch dia, 6 x 19 XPS IWRC HERRIT
Min. req'd breaking strength = 36,500 lbs

17 FT JIB CAPACITIES ON EXTENDED OUTRIGGERS					
Main Boom Angle (deg)	Jib Offset Angle				
	0 deg				
	10 to 15.0 ft Main Boom	10 to 17.0 ft Main Boom	10 to 15.0 ft Main Boom	10 to 17.0 ft Main Boom	Any Boom Length
10					

STERLING CRANE

range diagram

YB7722XL (5-section boom)

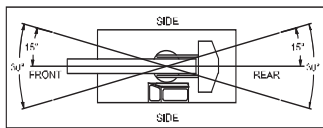


STERLING CRANE

DIN/ISO load chart

YB7722XL (5-section boom)

MAIN BOOM LOAD RATINGS ON OUTRIGGERS Extended and Down 90° or Retracted and Down Front/Rear														MAIN BOOM ON RUBBER								
Radius (m)	Boom Angle (deg)	5,9 m Boom		6,2-9,1 m Boom		8,4 m Boom		9,7-12,0 m Boom		13,1 m Boom		13,4-16,5 m Boom		16,0 m Boom		17,1-20,1 m Boom		20,4 m Boom		Any Boom Length		
		Rated Load (kg)	Boom Angle (deg)	Rated Load (kg)	Boom Angle (deg)	Rated Load (kg)	Boom Angle (deg)	Rated Load (kg)	Boom Angle (deg)	Rated Load (kg)	Boom Angle (deg)	Rated Load (kg)	Boom Angle (deg)	Rated Load (kg)	Boom Angle (deg)	Rated Load (kg)	Boom Angle (deg)	Rated Load (kg)	Boom Angle (deg)	Rated Load (kg)	Rated Load (kg)	Rated Load (kg)
2,6	50	10950		12020	71	12020	11520	76	11520	8850	79	8850	-	-	-	-	-	-	-	1,0	13610	9500
3,0	52	10140		12220	69	12220	11520	74	11520	8850	79	8850	-	-	-	-	-	-	-	2,4	12700	8120
3,7	44	15160		11480	64	11480	10380	72	10380	7980	76	7980	6580	70	6580	70	6580	77	6580	3,0	11440	6900
4,3	33	12930		10390	59	10390	10260	69	10260	7300	74	7300	5930	77	5930	77	5930	77	5930	3,7	8950	5200
4,9	11	10750		9490	55	9490	9070	66	9070	6710	71	6710	5530	75	5530	75	5530	75	5530	4,3	5400	3140
5,5	-	-		8750	50	8750	8120	63	8120	6210	69	6210	5080	73	5080	73	5080	73	5080	4,9	4200	2500
6,1	-	-		7940	45	7940	7300	60	7300	5910	67	5910	4720	71	4720	71	4720	71	4720	5,5	3620	1980
6,7	-	-		7440	39	7440	6820	56	6820	5440	64	5440	4400	69	4400	69	4400	69	4400	6,1	3020	1520
7,3	-	-		6950	31	6950	6390	53	6390	5080	62	5080	4130	67	4130	67	4130	67	4130	6,7	2420	1170
7,9	-	-		6520	22	6520	6020	49	6020	4910	58	4910	3900	65	3900	65	3900	65	3900	7,3	1820	930
8,4	-	-		4790	0	4790	4790	47	4790	4630	50	4630	3720	64	3720	64	3720	64	3720	7,9	1220	610
9,1	-	-		-	-	-	-	42	4650	4260	45	4260	3430	62	3430	62	3430	62	3430	8,4	620	320
9,9	-	-		-	-	-	-	37	4040	3580	42	3580	3310	60	3310	60	3310	60	3310	9,1	150	770
10,4	-	-		-	-	-	-	3100	3270	3390	40	3390	3070	58	3070	58	3070	58	3070	9,9	100	500
11,0	-	-		-	-	-	-	2800	2830	3190	38	3190	2900	56	2900	56	2900	56	2900	10,4	1210	440
11,6	-	-		-	-	-	-	2600	2600	2890	36	2890	2890	54	2890	54	2890	54	2890	11,0	1030	350
12,0	-	-		-	-	-	-	2500	2500	2770	34	2770	2770	52	2770	52	2770	52	2770	11,6	980	290
12,6	-	-		-	-	-	-	2400	2400	2600	32	2600	2600	50	2600	50	2600	50	2600	12,0	1220	210
13,1	-	-		-	-	-	-	2300	2300	2460	30	2460	2460	49	2460	49	2460	49	2460	12,6	1040	160
13,4	-	-		-	-	-	-	2120	2120	2320	28	2320	2320	47	2320	47	2320	47	2320	13,1	800	90
13,6	-	-		-	-	-	-	1980	1980	2110	26	2110	2110	44	2110	44	2110	44	2110	13,4	590	60
13,8	-	-		-	-	-	-	1810	1810	1910	24	1910	1910	42	1910	42	1910	42	1910	13,6	440	-
14,2	-	-		-	-	-	-	1710	1710	1720	22	1720	1720	39	1720	39	1720	39	1720	13,8	390	-
15,7	-	-		-	-	-	-	1580	1580	1580	20	1580	1580	37	1580	37	1580	37	1580	14,2	310	-
16,5	-	-		-	-	-	-	-	-	-	18	1470	1470	33	1470	33	1470	33	1470	15,7	290	-
17,1	-	-		-	-	-	-	-	-	-	-	1400	1400	29	1510	29	1510	29	1510	16,5	240	-
17,7	-	-		-	-	-	-	-	-	-	-	1280	1280	25	1300	25	1300	25	1300	17,1	200	-
18,3	-	-		-	-	-	-	-	-	-	-	1220	1220	23	1260	23	1260	23	1260	17,7	170	-
19,4	-	-		-	-	-	-	-	-	-	-	1040	1040	20	1040	20	1040	20	1040	18,3	130	-



RATING REDUCTIONS FOR LOAD HANDLING DEVICES INSTALLED (kg)		
	FROM MAIN BOOM	FROM JIB
MAIN BLOCK	10%	N/A
HOOK & BALL	5%	3%
JIB STOPPER	0	N/A
JIB DEPLOYER	25%	0

MAIN BOOM LOAD RATINGS ON OUTRIGGERS Retracted and Down 90°																					
Radius (m)	Boom Angle (deg)	5,9 m Boom		6,2-9,1 m Boom		8,4 m Boom		9,7-12,0 m Boom		13,1 m Boom		13,4-16,5 m Boom		16,0 m Boom		17,1-20,1 m Boom		20,4 m Boom			
		Rated Load (kg)	Boom Angle (deg)	Rated Load (kg)	Boom Angle (deg)	Rated Load (kg)	Boom Angle (deg)	Rated Load (kg)	Boom Angle (deg)	Rated Load (kg)	Boom Angle (deg)	Rated Load (kg)	Boom Angle (deg)	Rated Load (kg)	Boom Angle (deg)	Rated Load (kg)	Boom Angle (deg)	Rated Load (kg)	Boom Angle (deg)		
2,6	50	10700		12020	71	12020	11520	76	11520	8850	79	8850	-	-	-	-	-	-	-		
3,0	52	10110		9900	66	9900	9020	74	9020	8850	79	8850	-	-	-	-	-	-	-		
3,7	44	7190		8800	64	8800	8800	72	7100	7100	76	7100	6500	70	6500	70	6500	77	6500		
4,3	33	8520		5210	59	5210	5210	69	5090	5090	71	5090	4930	71	4930	71	4930	77	4720		
4,9	11	4290		4950	55	4950	4950	66	4850	4850	68	4850	4790	69	4790	69	4790	75	4720		
5,5	-	-		5210	50	5210	5210	63	5190	5190	65	5190	5190	67	5190	67	5190	73	5190		
6,1	-	-		4620	45	4620	4620	60	4600	4600	62	4600	4600	64	4600	64	4600	71	5190		
6,7	-	-		2100	39	2100	2100	56	2490	2490	64	2490	2490	66	2490	66	2490	69	2490		
7,3	-	-		1710	31	1710	1710	53	2090	2090	62	2290	2290	64	2290	64	2290	67	2290		
7,9	-	-		1340	22	1340	1340	49	1720	1720	60	1690	1690	62	1690	62	1690	65	1690		
8,4	-	-		1000	0	1000	1000	47	1510	1510	58	1690	1690	60	1690	60	1690	64	1700		
9,1	-	-		-	-	-	-	42	1200	1200	55	1590	1590	58	1590	58	1590	62	1590		
9,9	-	-		-	-	-	-	37	1000	1000	52	1160	1160	56	1290	56	1290	60	1290		
10,4	-	-		-	-	-	-	31	670	670	49	990	990	54	990	54	990	58	1090		
11,0	-	-		-	-	-	-	25	600	600	46	930	930	52	930	52	930	56	930		
11,6	-	-		-	-	-	-	19	590	590	43	890	890	50	890	50	890	54	740		
12,0	-	-		-	-	-	-	13	490	490	41	860	860	48	860	48	860	52	690		
12,6	-	-		-	-	-	-	7	460	460	39	860	860	46	860	46	860	50	690		
13,1	-	-		-	-	-	-	-	3	420	420	37	860	860	44	860	44	860	48	400	
13,4	-	-		-	-	-	-	-	-	220	270	270	270	270	44	320	44	320	46	320	
14,0	-	-		-	-	-	-	-	-	170	230	200	200	200	42	290	42	290	44	290	
15,7	-	-		-	-	-	-	-	-	120	180	140	140	140	38	190	38	190	42	190	
16,5	-	-		-	-	-	-	-	-	100	0	100	100	37	150	37	150	40	150		
17,1	-	-		-	-	-	-	-	-	80	-	80	80	35	110	35	110	38	110		
17,7	-	-		-	-	-	-	-	-	60	-	60	60	33	80	33	80	36	80		
18,3	-	-		-	-	-	-	-	-	40	-	40	40	31	50	31	50	34	50		
19,4	-	-		-	-	-	-	-	-	20	-	20	20	29	25	29	25	25	25	25	
										0	-	0	0	0	20	0	20	0	0	0	0

- The rated loads are the maximum lifting capacities as determined by operating radius, boom length, and boom angle. The operating radius is the horizontal distance from a projection of the axis of rotation to the supporting surface, before loading. To the center of vertical hoist line or tackle with load applied.
- Rated load columns for discrete boom lengths apply when actual boom length is within +/- 0,3 m, of discrete length. For other boom lengths, use appropriate intermediate boom length column.
- For operating radius not shown, use load rating of next larger radius.
- The rated loads shown on outriggers do not exceed 90% of actual tipping. The rated loads shown on rubber do not exceed 75% of actual tipping. These ratings are based on freely suspended loads with the crane leveled, standing on a firm, uniform supporting surface. Practical working loads depend on supporting surface, operating radius and other factors affecting stability. Hazardous surroundings, climatic conditions, exposure of personnel and proper handling must all be taken into account by the operator.
- The weights of all load handling devices such as hooks, hook blocks, slings, etc., except for the hoist rope, shall be considered as part of the load. See reduction chart.
- Ratings on outriggers are for either outriggers fully extended and down or fully retracted and down. Ratings for outriggers fully retracted and down will apply for any intermediate outrigger setting.
- Ratings on rubber depend on tire capacity, condition of tires and proper inflation pressure (7,6 bar). Loads on rubber may be transported at a maximum speed of 1,4 km/h on a smooth hard level surface with boom retracted to the shortest length possible and centered over front. For 90° ratings on rubber, rear axle oscillation locks must be in place. Do not use jib with crane on rubber.
- The maximum combined total boom and deck load is 6070 kg. The

SHADED AREAS ARE GOVERNED BY STRUCTURAL STRENGTH, DO NOT RELY ON TIPPING.

OPERATION OF THE EQUIPMENT IN EXCESS OF RATING CHARTS AND DISREGARD OF INSTRUCTIONS IS DANGEROUS AND VOIDS WARRANTY.

MAXIMUM PERMISSIBLE SINGLE LINE PULL = 4000 kg

WIRE ROPE: 16 mm dia, 6 x 19 XIPPLI WRC BRIGHT
Min. safe working strength = 100,4 kN

Main Boom Angle (deg)	5,2 m JIB CAPACITIES ON EXTENDED OUTRIGGERS (kg)				
	0 deg		15 deg		
	To 16,0 m Main Boom	To 20,4 m Main Boom	To 16,0 m Main Boom	To 20,4 m Main Boom	Any Boom Length
00	-	-	2270	2270	1590
75	3400	-	2000	2000	1410
70	2770	-	1770	1770	1270
65	2270	2020	1590	1590	1160
60	1950	1720	1430	1430	1070
55	1720	1500	1290	1290	1000
50	1540	1320	1190	1190	950
45	1390	1190	1090	1090	910
40	1270	1090	1020	1020	860
35	1190	990	930	930	820
30	1090	890	860	860	780
25	1040	790	830	790	-
20	1000	730	810	720	-
15	950	690	800	690	-
00	900	650	790	650	-

THIS CHART IS ONLY A GUIDE AND SHOULD NOT

STERLING CRANE

specifications

Superstructure

Boom

YB7722: 19 ft. 6 in. – 43 ft. 0 in. (5.9m – 13.1m) three-section full power boom.

Maximum tip height: 51 ft. 8 in. (15.7m)

YB7722XL: 19 ft. 6 in. – 67 ft. 0 in. (5.9m – 20.4m) five-section full power boom.

Maximum tip height: 75 ft. 0 in. (22.8m)

Boom angle indicator mounted on both sides of base section.



*Boom Extension

17 ft. (5.18m) fixed boom extension, offsettable to 30° and 60° via pivoting boom nose.

Maximum tip height: 92 ft. 0 in. (28.0m)



Boom Nose

2 sheave, 4-position (0°, +30°, +60°, +80°) pivoting boom nose for minimizing head space requirements. Lowers head height 23.9 in. (0.60m) when nose is pivoted fully forward.



Boom Elevation

Two double acting hydraulic cylinders with integral holding valve.

Elevation: 0° to 80°



Anti-Two Block Device

Standard anti-two block device, when activated, provides an audible warning to the crane operator and disengages all crane functions whose movement can cause two-blocking.



Load Indicator (wireless LSI)

A simple effective and easy to use load indicating system used in conjunction with the anti-two block system to assist the operator in efficient operation of the unit within the limits of the load chart. The display panel displays the hook load and warns the operator when a preset load capacity is exceeded. The warning is by a flashing light on the display panel. In conjunction with the load display panel (receiver), there is a wireless transmitter and load sensing pin attached to the boom head that transmits the hook load to the display panel.



*Rated Capacity Limiter (wireless RCL)

Similar to the Load Indicator, but stops the telescope out and boom lift down function when a load limit is exceeded. Uses a similar display panel with the addition of displaying boom angle and boom length read outs on the panel.



*Load Moment Indicator (hardwired LMI)

Digital display of boom angle, boom length, boom radius, capacity, and allows for operator input to set the limits based on load chart. Displays color coded light bar and audible alarm with function cutout if load exceeds entered parameters.



Swing

Ball bearing swing circle with 360° continuous rotation.

Planetary swing.

Maximum speed: 2.5 rpm



Hydraulic System

Variable displacement piston pump and piggyback gear pump.

Combined flow: 74.0 gpm (280.0 Lpm)

Maximum system operating pressure: 3600 p.s.i.

Six section valve bank, chassis mounted, operated via dash mounted, pilot pressure hydraulic joysticks.

Return line filter with full flow by-pass protection and service indicator.

60.0 gallon (227 L) hydraulic reservoir with sight level gauge and steel side plating to guard against side impact damage.



Hoist Specifications

Piston motor drive with spring applied / hyd. released brake.

Two speed power up and down.

Maximum Single Line Pull: 13,800 lb. (6260kg)

Maximum Single Line Speed: 320 fpm (97.5m/min)

Maximum Permissible Single Line Pull: 11,000 lb (4990kg)
(5/8" [16.0mm] XIPS)

Rope Length (Std): 375 ft. (114.3m)

*Denotes optional equipment

STERLING CRANE

specifications

Carrier

Frame

High strength alloy steel constructed with integral outrigger housings; front and rear tie-down lugs. 60 ft.² carrydeck size with 30,000 lb (13 608kg) deck only carrying capacity & 20,000 lb (9 072kg) combined with boom load. Deck coated with anti-skid treatment.

Outriggers

2- stage hydraulic telescoping beam with vertical jack at the four corners provides extended and down and retracted and down lifting capacities. Integral holding valves on both beam and jack.

Outrigger Controls

Three switch operation mounted on dash panel. One 3- position rocker switch to select all beams / jacks, left beams / jacks only, or right beams / jacks only. Separate 4- way toggle switch to activate beams out / in and jacks down / up. Level bubble indicator located inside operators compartment.

Outrigger pad size: 11.5 in. x 11.5 in. (29.2cmx29.2cm)

*Independent outrigger controls available as an option.

Std. Engine

Cummins QSB 4.5L turbo-charged diesel rated @ 130 bhp (97kW) @ 2500 rpm with engine block heater.

Operators Control Station

Frame mounted, open air style control station with cab shell includes all crane functions, driving controls, and overhead safety glass. Other standard equipment includes a durable weather resistant seat with seat belt, hourmeter, sight level bubble, and fire extinguisher. The dash panel includes engine oil pressure gauge, engine water temperature gauge, fuel gauge, transmission low oil and high temperature warning lights, low battery warning light, and brake system low pressure warning light. The LSI (load indicator) receiver is mounted to the top of the dash.

*Operators Control Station Enclosed

Includes the standard cab shell with the addition of front, right and rear glass. Hinged full door with sliding glass.

Front windshield wiper, heater and defroster are included.

Fuel Tank Capacity

50 gallon (189 L) all steel construction with steel side plate to guard against side impact. Fuel gauge located on dash panel in operators station.

Electrical System

One 12V maintenance free battery, 820CCA @ 0°. 63 amp alternator.

Drive

4 x 4 – Front and rear axle drive with planetary hubs and limited slip differential.

Steer

Standard: 3-steering modes:

Front 2-wheel, 4-wheel coordinated, and crab steer w/ electronic self alignment. Rotary switch select on dash panel.

Transmission

Clark powershift 4-speeds forward and reverse. Stalk mounted shifter on left side of steering column.

Tires

17.5 x 25 Bias (std.)

*17.5 R 25 radial

Brakes

Hydraulic actuated internal wet-disc service brakes acting on all four wheels. A dash mounted toggle switch activates the dry disc parking brake on the transmission output yoke with a dash warning light.

Suspension

Front: Rigid mounted to frame.

Rear: Provides 3.5° oscillation for use on semi-rough terrain.

Axle lock-out switch, on dash panel, to engage / disengage the axle lock-out. Axle lock-out must be engaged (locked) whenever picking on rubber and when traveling in the crab steer mode. A warning light indicates when the axle lock-outs are engaged.

Lights

Recessed mounted, includes head, tail, rear work, stop, and turn signals.

Maximum Speed

19.5 MPH (31.3km/h)

Gradeability**

63%....no load

38%....30,000lb (13 608kg) load

G.V.W.

YB7722: 41,270 lb. (18 720kg)

YB7722XL: 43,000 lb (19 504kg)

Miscellaneous Standard Equipment

Two sheaves, "Quick Reeve" style 22T (19.9m) hookblock

Back-up alarm

Dual rearview mirrors

Outrigger motion alarm

Lifting and tie down lugs

*Denotes optional equipment

**Theoretical

STERLING CRANE

dimensions

