



TRANSPORTATION SPECS - Carry Decks

BRODERSON MODEL IC-80-1D/2D - 8.5 TON CAPACITY

COMPONENT WEIGHTS

| | | <u>LBS.</u> | <u>KGS.</u> |
|---|-----|-------------|-------------|
| Complete Crane (incl. block, ball & jib) | (1) | 16,000 | 7 260 |

ADDITIONAL INFORMATION

| | | | |
|-----------------------------------|--|-----|-----|
| 8.5 Ton Block | | 124 | 57 |
| 4.5 Ton Ball | | 90 | 41 |
| 10' Jib | | 295 | 134 |
| Main Load Line (9/16" x 90' - 1D) | | 54 | 25 |
| (9/16" x 105' - 2D) | | 62 | 29 |

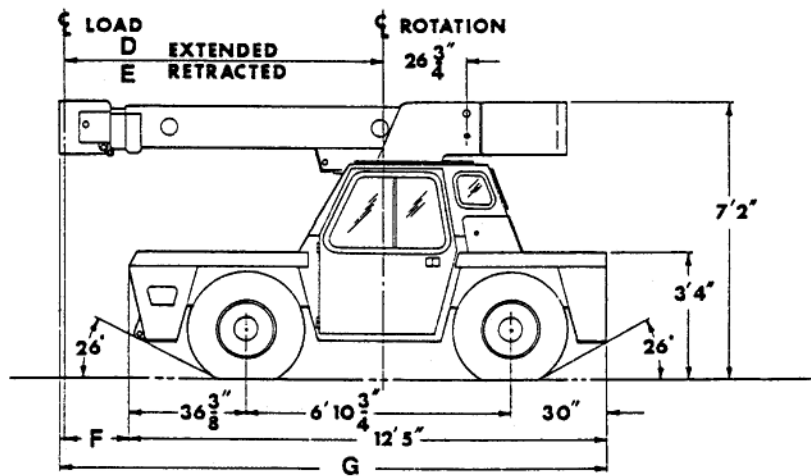
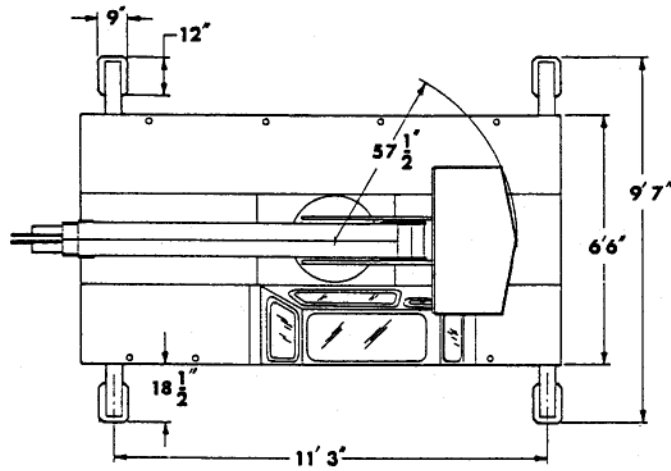
TRANSPORTATION

**Alberta, British Columbia
and Saskatchewan**

- All Seasons

| <u>Weight</u> | <u>Trailer</u> |
|---------------|---|
| (1) | LTL or Tandem Tilt Deck Truck |

STERLING CRANE



| | IC-80-1D | IC-80-2D |
|---|-------------|-------------|
| A | 16' 10 5/8" | 18' 1 5/8" |
| B | 22' 5 5/8" | 24' 11 3/8" |
| C | 28' 0" | 31' 7 1/4" |
| D | 20' 2" | 24' 0" |
| E | 8' 2" | 9' 6" |
| F | 1' 7" | 2' 11" |
| G | 14' 1" | 15' 5" |