

STERLING CRANE



TRANSPORTATION SPECS - Crawler Cranes

DEMAG MODEL CC 2800 - 660 TON CAPACITY

<u>COMPONENT WEIGHTS</u>	<u>LBS.</u>	<u>KGS.</u>	<u>MAIN BOOM 78' TO 276' OR 24 m TO 84m</u>	<u>LBS</u>	<u>KGS</u>
Complete Crane C/W 84m Boom, 180t Main Cwt, 60t Ballast , 2 x 300t Block	1,092,532	495 569	<u>OD (Tubular) 9'10" x 9'2"</u>		
Superstructure w/o Winches (9'11" x 45'6" x 10'9")	99,740	45 300	Butt Section 10m c/w W1	41,800	19 000
Carbody (25'6" x 9'11" x 5')	60,500	27 500	Insert 6m, 2 pcs. Each	9,500	4 300
Crawler #1 (38'4" x 6'7" x 5'7")	98,450	44 750	Insert 12 m, 2 Pcs. Each	17,240	7 820
Crawler #2 (38'4" x 6'7" x 5'7")	98,450	44 750	Insert 12m, 2 Pcs. Each	15,620	7 100
			Insert 12m Reducer	14,212	6 460
			Tip Section 2m	15,180	6 900
<u>COUNTERWEIGHT</u>			<u>SUPERLIFT MAST 98' OR 30M</u>		
180t of Main Cwts.			<u>OD (TUBULAR) 8'5" x 7'6"</u>		
1 – Base Cwt. (22' x 7'10" x 8")	44,000	20 000	Butt Section 5.5m c/w W2	19,800	9 000
16 –10t Cwts. (7'11" x 5'11" x 1'10") each	22,000	10 000	Insert 6m	4,400	2 000
60t of Carbody Cwts.			Insert 12m	8,800	4 000
4 – 15t cwts. (7'11" x 5'11" x 1'9") each	33,000	15 000	Tip Section 6.5m	17,160	7 800
325t Superlift Counterweights			<u>LUFFING JIB 98' TO 276' OR 30M TO 84M</u>		
1 – Counterweight Carrier (30'10" x 9'9" x 11'2")	105,000	47 628	<u>OD (TUBULAR) 7'4" x 5'9"</u>		
30 – 10t cwts. Each	22,000	10 000	Butt Section 4.5m	5,720	2 600
			Insert 6m, 2 pcs. Each	4,850	2 100
			Insert 12m, 3 pcs. Each	10,270	4,700
			Insert 12m	8,800	4 000
			Insert 12m	8,140	3 700
			Tip Section 2m	9,790	4 450
			Tip Section 7.5m	13,640	6 200
			Upper Luffing Mast – Tip Section 41'	6,820	3 100
			(OD 6'7" x 4'9") – Butt Section 15'	3,190	1 450
			Lower Luffing Mast – Tip Section 41'	7,700	3 500
			(OD 6'7" x 5'1") – Butt Section 17'	3,850	1 750
			Luffing Pendants	23.52 lb./ft	35 kg/m
<u>ADDITIONAL INFORMATION</u>					
Two Superlift Trays (23'11" x 9'8" x 1'8") each	7,040	3 200			
H1 & H2 Winches (8'1/2" x 3'10" x 3'10") each	12,320	5 600			
Connecting Frame (13'5" x 9'9" x 3'8")	6,776	3 080			
Runner (8'3" x 6'5" x 5'3")	1,672	760			
Boom Back Stop Cylinder (13'7" x 1' x 1')	1,540	700			
Hook Block 2 x 300t (9' x 7' x 4'5")	26,840	12 200			
Hook Block 100t (4'4" x 4' x 4')	7,920	3 600			
Hook Block 50t (4' x 3'5" x 2'6")	6,160	2 800			
Ball 15t	1,980	900			
Container (19'8" x 7'11" x 7'11")	17,600	8 000			
Central Ballast Traverse (2 Pcs.) (7'3" x 7'9" x 4'4")	each 2,750	1 250			
Rope Spreader (19'6" x 6'7" x 1'4")	880	400			
Easy Out Extractor	462	210			

STERLING CRANE

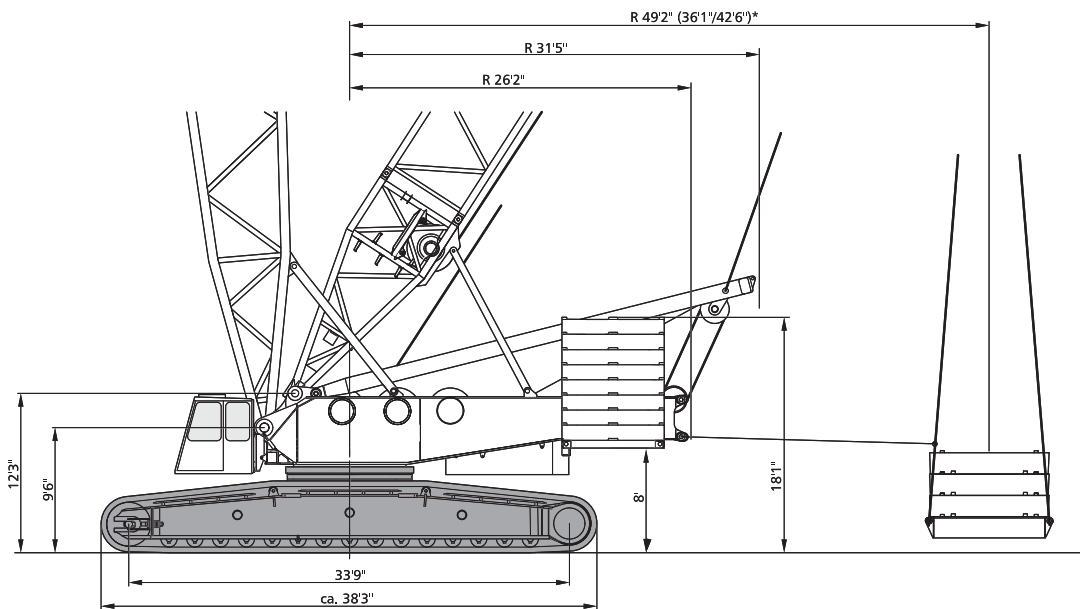
Specifications

Working speeds (infinitely variable)

Mechanisms	Speeds ¹⁾	Single line pull	Length of hoist rope
Hoist 1	max. 393.7 ft	36,420 lb / 32,500 lb ²⁾	2952.8 ft
Hoist 2	max. 393.7 ft	36,420 lb / 32,500 lb ²⁾	2952.8 ft
Boom derricking	max. 393.7 ft		
Boom hoist	max. 171.0 ft		
Fly jib luffing	max. 393.7 ft		
Slewing (RPM)	0.7		

¹⁾ Top layer

²⁾ Without/with reeving effect considered



STERLING CRANE

Specifications

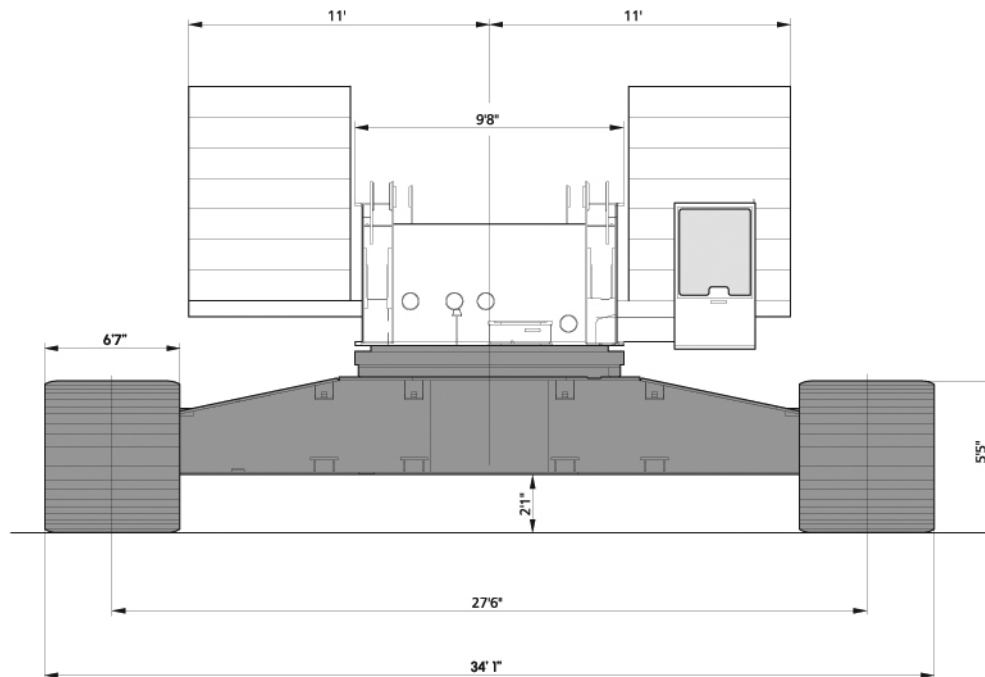
Hook blocks

Capacity	Number of sheaves	Number of lines	Weight	„D“
1,322,770 lb ¹⁾	2 x 11	2 x 22	25,400 lb	16.4 ft
881,850 lb ¹⁾	2 x 7	2 x 14	22,100 lb	15.7 ft
220,460 lb	3	7	11,100 lb	14.9 ft
110,230 lb	1	3	6,200 lb	13.1 ft
35,300 lb	-	1	1,980 lb	9.8 ft

¹⁾ The double hook blocks can be converted into single hook blocks

Carrier performance

1 st gear	0-0.9 mph
2 nd gear	0-1.8 mph



STERLING CRANE

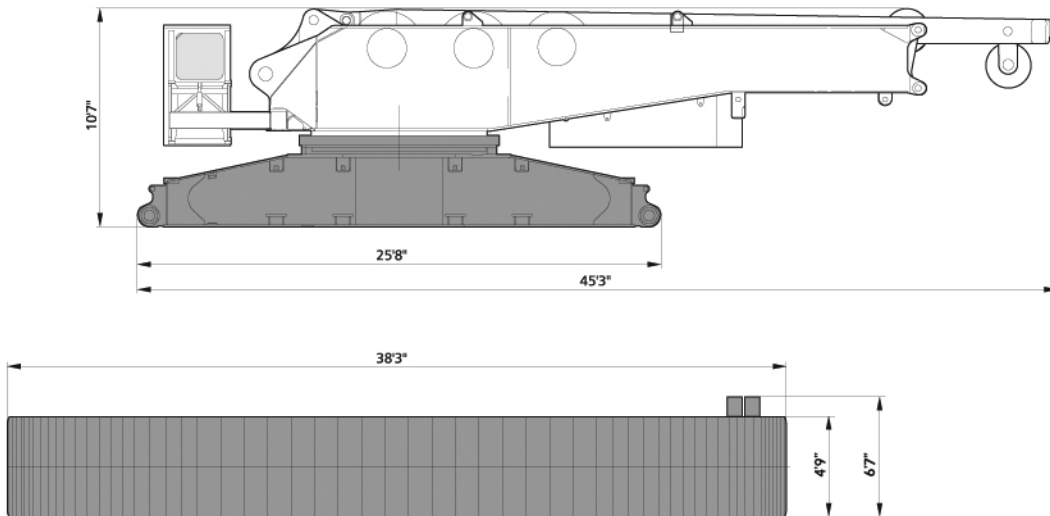
Specifications

Weights

Total weight incl. counterweight 353,000 lb, 78.7 ft SH boom and hook block	794,000 lb
Superstructure (with three drums, A-frame, reeving drum and boom backstops)	121,300 lb
Superstructure (without drums H1/H3, reeving winch and boom backstops) incl. part of quick-connection	88,200 lb
Carbody / Carbody with assembly jacks	55,200 / 60,000 lb
Crawlers	2 x 86,000 lb
Counterweight	353,000 lb

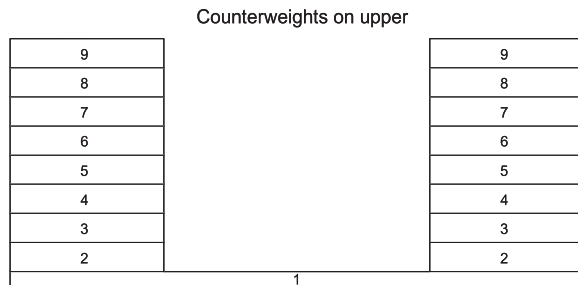
Ground pressure

Ground pressure, based on 794,000 lb total weight	5.36 lb/ft ²
---	-------------------------



STERLING CRANE

Specifications



Central ballast (ZB)

