



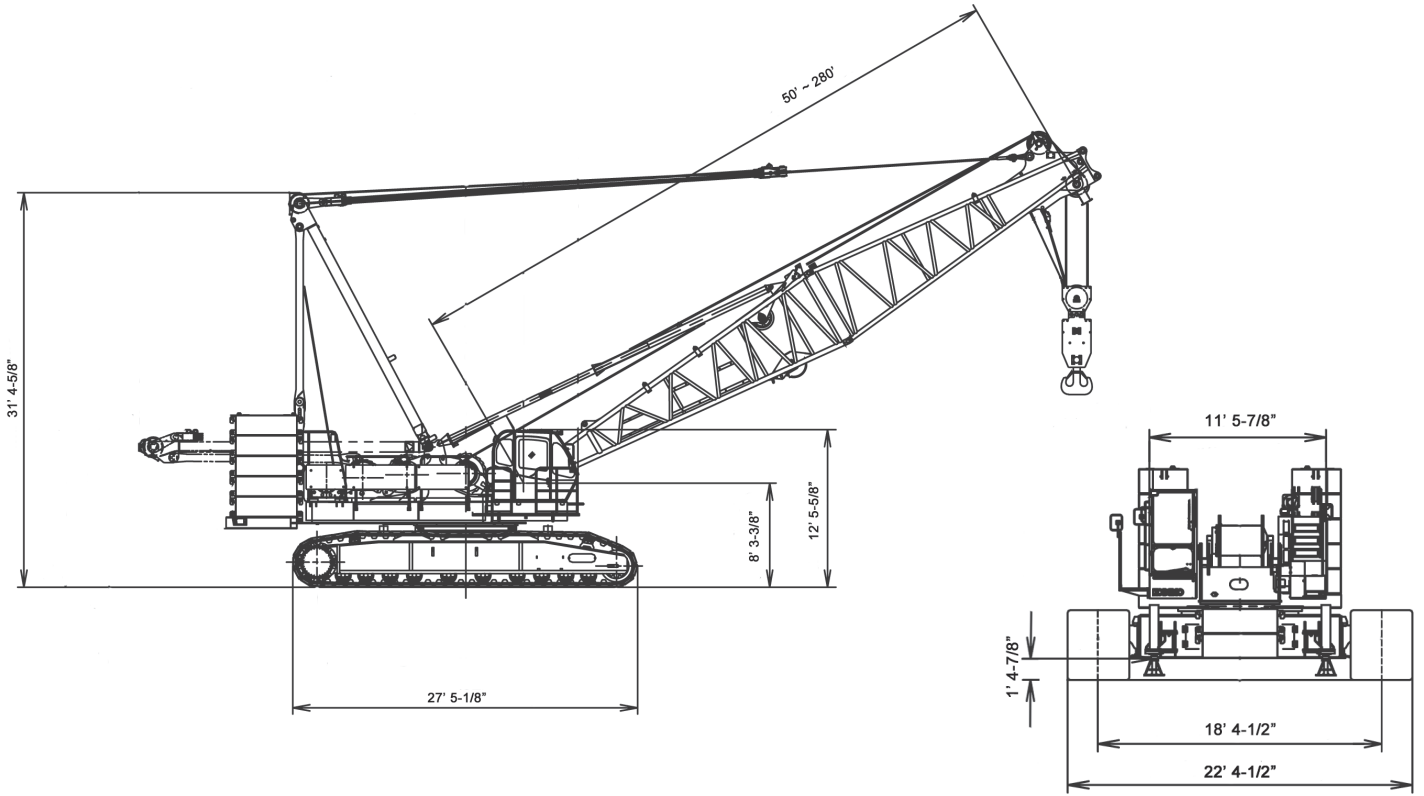
## TRANSPORTATION SPECS - Crawler Cranes

### KOBELCO MODEL CK2000-II - 200 TON CAPACITY

<u>COMPONENT WEIGHTS</u>	<u>LBS.</u>	<u>KGS.</u>	<u>BOOM 50' MIN / 280' MAX</u>	<u>LBS</u>	<u>KGS</u>
Complete Crane c/w 50' Boom (Inc. 116 Ton Block, Ball + Max. CWT)	354,830	161,788	<b>OD (tubular) 80" x 85"</b> Butt Section 28' 10"	5,780	2,620
Upper, carbody, butt, mast, gantry & cables	94,800	43,000	10' Insert	1,170	530
Counterweight Upper max.	132,300	60,000	20' Insert,	1,940	880
Counterweight Lower max.	44,100	20,000	30' Insert 4 pc.	2,690	1,220
Tracks – 48" shoes (2) each	40,800	18,500	40' Insert 1 pc.	3,200	1,450
			Boom Tip Section 24'3"	4,630	2,100
<b><u>COUNTERWEIGHT (UPPER)</u></b>			<b><u>JIB 40' MIN / 100' MAX</u></b>		
A Cwt (15'1" x 6'8" x 1'11") 1 pc.	22,050	10,000	OD (Tubular) 33" x 40"		
B Cwt (5'9" x 3'1" x 1'9") 10 pc.	11,025	5,000			
Total Upper CWT	132,280	60,000	Jib Butt Section 15'7"	463	210
<b><u>COUNTERWEIGHT CARBODY</u></b>			Jib 10' Insert	243	110
Carbody (5'9" x 7'11" x 1'9") 4 pc.	11,025	5,000	Jib 20' Insert, 3 pc.	420	190
Total Carbody CWT	44,100	20,000	Jib Tip Section 16'6"	697	315
<b><u>ADDITIONAL INFORMATION</u></b>			Jib Strut	662	300
116 Ton Block, 4 Sheave	3,909	1,773			
30 Ton Block, 1 Sheave	1,400	635			
19 Ton Hook & Weight Ball	1,311	595			
Gantry (23' 5" x 5' 5" x 3' 2")	6,500	2,950			
Boom Backstops	1,630	740			
Auxiliary Sheave	650	295			
Main Load Line 1"Ø Wire Rope					
Auxiliary Hoist Line 1"Ø wire Rope					
Boom Susp. Line 7/8" Ø Wire Rope					

# STERLING CRANE

## CK2000-II General Dimensions



## Upper Machinery Layout

