



## TRANSPORTATION SPECS - Crawler Cranes

### KOBELCO MODEL CK2500-II - 250 TON CAPACITY

<u>COMPONENT WEIGHTS</u>				<u>LBS.</u>	<u>KGS.</u>	<u>Boom Min 50' to Max. 300'</u>	<u>LBS.</u>	<u>KGS.</u>
Complete Crane c/w 50' boom, full cwt. & block				476,733	216 245	OD 93" x 91"		
House, Carbody & Gantry - 40' x 12' x 10'11"				99,005	44 908	25' Butt Section	10,284	4 665
Counterweights:						10' Insert c/w Pendants 2 pc. Ea	1,962	890
Upper:						20' Insert c/w Pendants 2 pc. Ea	3,175	1 440
A Cwt	13'6"x6'6"x3'	1 pc.		23,589	10 700	40' Insert c/w Pendants 5 pc. Ea	5,600	2 540
B Cwt	5'3"x4'x1'7"	7 pcs. Ea.		12,400	5 625	30' Tip Section	8,201	3 720
C Cwt	5'3"x4'x1'7"	7 pcs. Ea.		12,400	5 625			
Total Upper				197,189	89 444	<u>Fixed Jib Min. 30' to Max. 100'</u>		
Carbody:						OD 40" x 33"		
A Cwt	8'11"x8'1"x1'7"	2 pcs. Ea.		14,000	6 350	15' Butt Section c/w strut	1,124	510
B Cwt	5'3"x3'9"x1'7"	2 pcs. Ea.		12,400	5 625	10' Insert c/w pendants 1 pc. Ea.	242	110
Total Carbody				52,798	23 949	20' Insert c/w pendants 3 pcs. Ea	419	190
Total Counterweight				249,987	113 393	15' Tip Section	695	315
Tracks	48" Shoes 29'5"x4'x4'6"	ea.		51,817	23 504			
<u>ADDITIONAL WEIGHTS</u>								
150 Ton Block				5,622	2 550			
70 Ton Block				2,646	1 200			
35 Ton Block				1,984	900			
13.5 Ton Ball				992	450			
Mast 33'7"x6'x4'9"				6,327	2 870			
Gantry 13'11"x5'3"x5'2"				6,658	3 020			

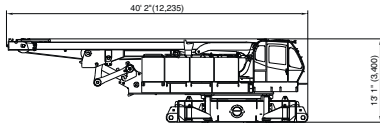
# STERLING CRANE

## Specification of Parts and Attachments

Dimensions: ft-in (mm) - Weight: lbs (kg)

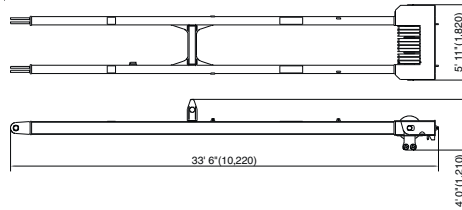
### Base Machine

Weight: 99,000 lbs (44,800 kg)\*



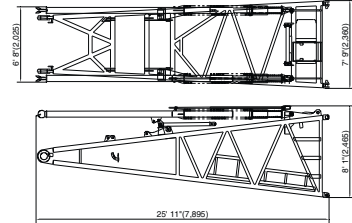
### Mast

Weight: 6,110 lbs (2,770 kg)



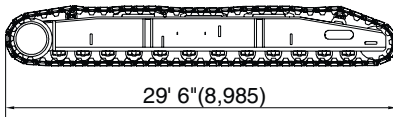
### Boom Base

Weight: 10,285 lbs (4,665 kg)



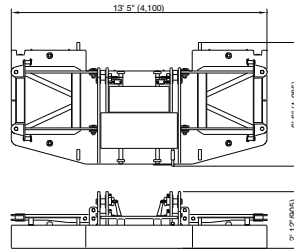
### Crawler

Weight: 51,400 lbs (23,330 kg)



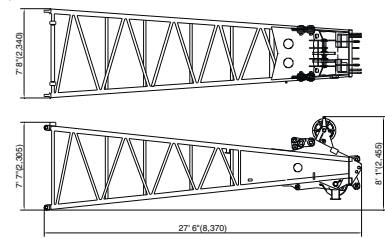
### Counterweight (A)

Weight: 24,343 lbs (11,040 kg)



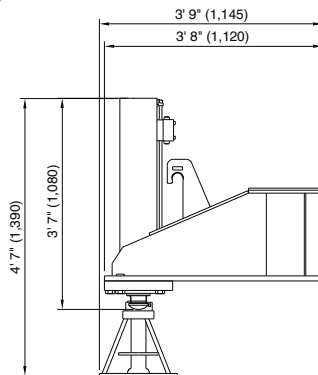
### Boom Tip

Weight: 8,080 lbs (3,665 kg)



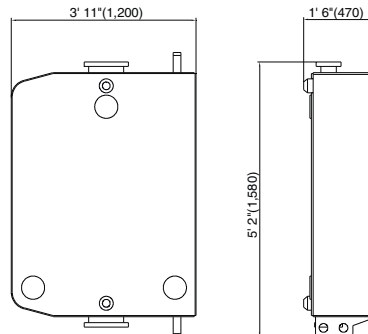
### Translifter

Weight: 870 lbs (395 kg)

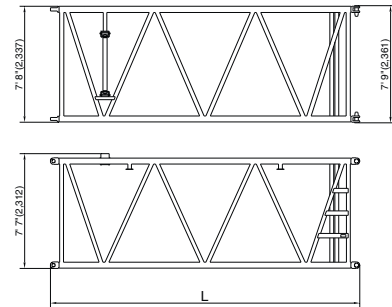


### Counterweight (B)

Weight: 12,400 lbs (5,625 kg)



### Insert Boom (10 ft, 20 ft, 40 ft)



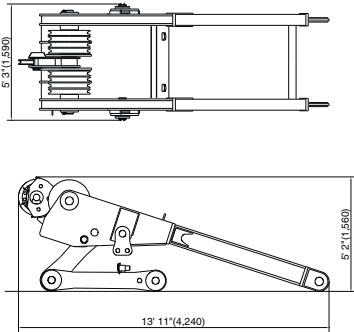
	L	Weight *
10ft (3.0m)	10'5" (3,175)	1,963lbs (890kg)
20ft (6.1m)	20'5" (6,223)	3,175lbs (1,440kg)
40ft (12.2m)	40'5" (12,319)	5,600lbs (2,540kg)

\*with guy cables

# STERLING CRANE

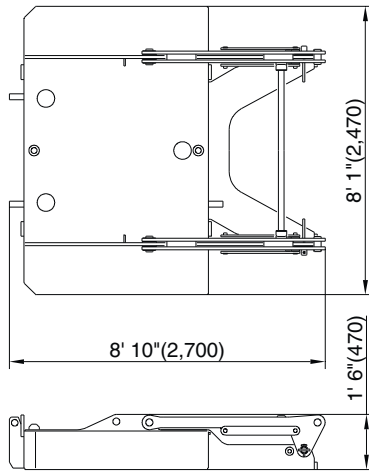
## Gantry

Weight: 6,660 lbs (3,020 kg)



## Carbody Weight (Base)

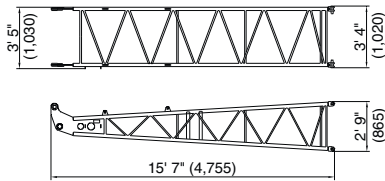
Weight: 14,000 lbs (6,350 kg)



\* This weight includes the transferer and wire rope on the main, auxiliary and boom hoist drums but does not include 3rd winch, back stop or boom base.

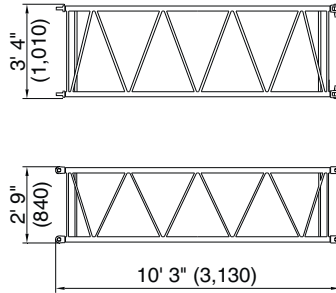
## Jib Base (For Crane)

Weight: 465 lbs (210 kg)



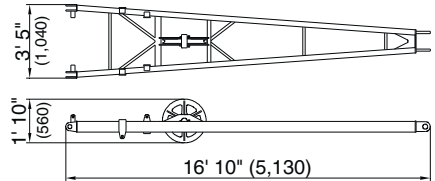
## 10ft (3.0 m) Insert Jib

Weight: 245 lbs (110 kg)



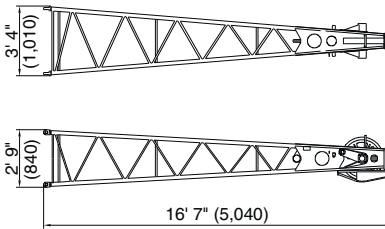
## Jib Strut

Weight: 660 lbs (300 kg)



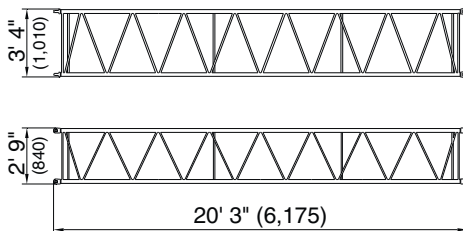
## Jib Tip (For Crane)

Weight: 700 lbs (315 kg)



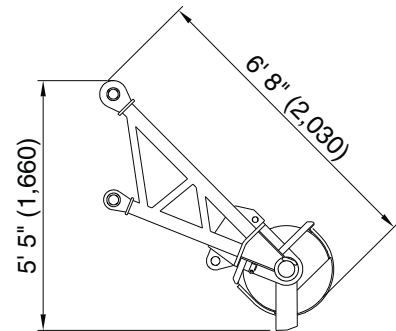
## 20ft (6.1 m) Insert Jib

Weight: 420 lbs (190 kg)



## Aux. Sheave

Weight: 610 lbs (290 kg)



# STERLING CRANE

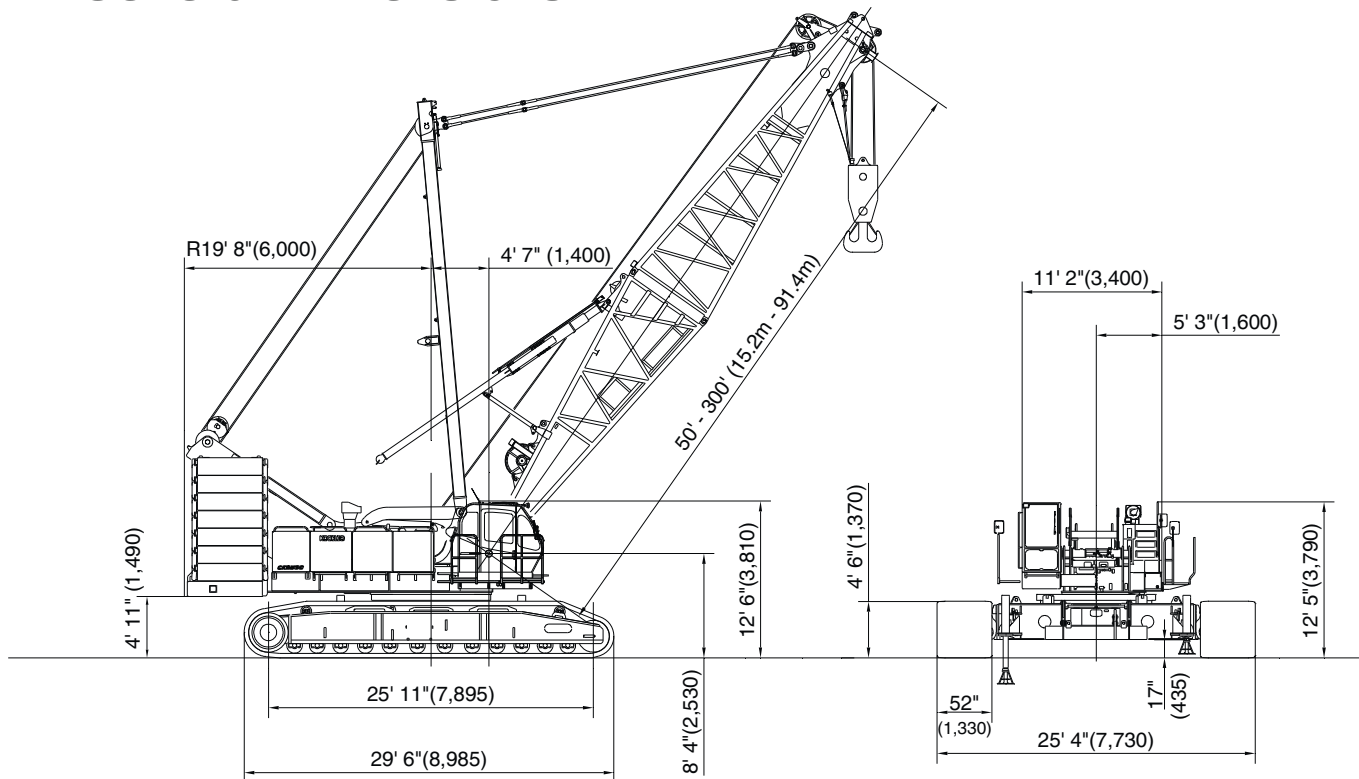
## Specifications of Luffing Jib Attachments

Dimensions: ft-in (mm) - Weight: lbs (kg)

<p><b>Luffing Boom Tip</b> Weight: 4,167 lbs (1,890 kg)</p>	<p><b>10ft (3.0 m) Insert Jib (Luffing Jib)</b> Weight: 684 lbs (310 kg)</p>	<p><b>Luffing Jib Backstop</b> Weight: 243 lbs (180 kg)</p>
<p><b>Luffing Taper Insert Boom</b> Weight: 2,271 lbs (1,030 kg)</p>	<p><b>20ft (6.1 m) Insert Jib (Luffing Jib)</b> Weight: 1,147 lbs (540 kg)</p>	<p><b>Strut Backstop (Luffing Jib)</b> Weight: 397 lbs (180)</p>
<p><b>Luffing Jib Base</b> Weight: 2,514 lbs (1,140 kg)</p>	<p><b>40ft (12.2 m) Insert Jib (Luffing Jib)</b> Weight: 2,117 lbs (960 kg)</p>	<p><b>Aux. Sheave (Luffing Jib)</b> Weight: 838 lbs (380 kg)</p>
<p><b>Luffing Jib Tip</b> Weight: 2,580 lbs (1,170 kg)</p>	<p><b>Front Strut (Luffing Jib)</b> Weight: 2,558 lbs (1,160 kg)</p>	<p><b>Luffing Boom Tip Assembly</b> Weight: 13,230 lbs (6,000 kg)</p>
<p><b>Rear Strut (Luffing Jib)</b> Weight: 2,492 lbs (1,130 kg)</p>	<p><b>Luffing Jib Drum</b> Weight: 3,241 lbs (1,470 kg)</p>	

# STERLING CRANE

## General Dimensions



## Upper Machinery Layout

