

# STERLING CRANE



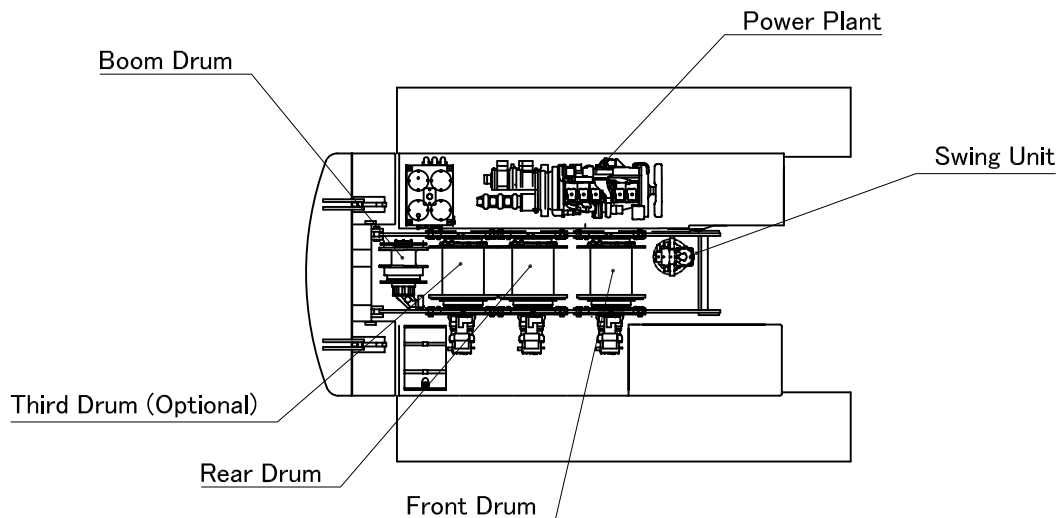
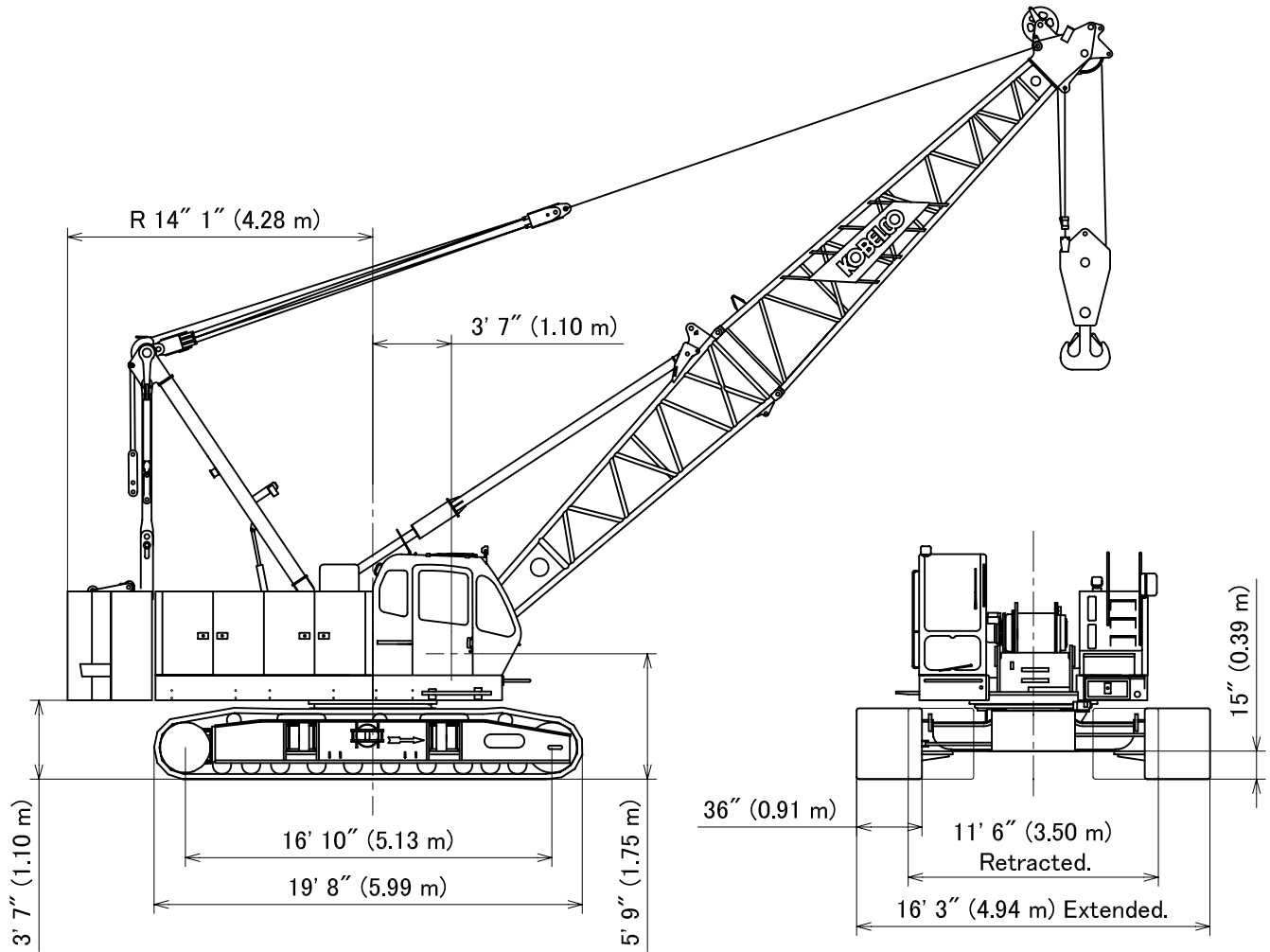
## TRANSPORTATION SPECS - Crawler Cranes

### KOBELCO MODEL CK850-III - 85 TON CAPACITY

<u>COMPONENT WEIGHTS</u>				<u>LBS.</u>	<u>KGS.</u>	<u>Boom Min 40' to Max. 180'</u>	<u>LBS.</u>	<u>KGS.</u>
Complete Crane c/w 40' boom & full cwt.				154,620	70 135	OD 54" x 56"		
House, Carbody, 20' Butt & Tracks - 40' x 11'6" x 10'10"				89,980	40 815	20' Butt Section c/w Backstop	4,123	1 870
Counterweights:						10' Insert c/w Pendants 2 pc. Ea	750	340
Upper:						20' Insert c/w Pendants 2 pc. Ea	1,230	558
A Cwt	11'10"x1'10"x5'6"	1 pc.		27,340	12 401	40' Insert c/w lug & Pendants 1 pc.	2,220	1 007
B Cwt	11'10"x 3' x 5'5"	1 pc.		27,560	12 501	40' Insert c/w Pendants	2,190	993
Carbody	5'6" x 3'10" x 1'10"	2 pcs.		<u>7,360</u>	<u>3,338</u>	20' Tip Section	2,337	1,060
Total				69,620	31 579			
Tracks 36" Shoes 19'8"x3'x3'3" 2 pcs. ea.				16,320	7 403	<u>Fixed Jib Min. 30' to Max. 60'</u>		
						OD 31" x 36"		
<u>ADDITIONAL WEIGHTS</u>						15' Butt Section c/w strut	1,210	549
60 Ton 4 Sheave Block				2,600	1 179	10' Insert c/w pendants 1 pc.	290	132
13 Ton Ball				718	326	20' Insert c/w pendants 1 pc.	490	222
Auxiliary Sheave				320	145	15' Tip Section	620	281

# STERLING CRANE

## General Dimensions



# STERLING CRANE

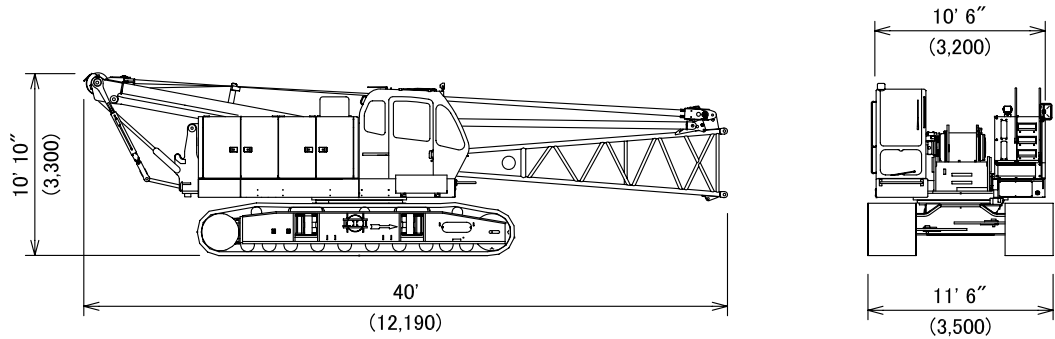
## Dimensions and Weight

### Base Machine -1

Weight: 89,980 lbs (40,820 kg)

Boom base, Gantry, Crawler, Wire ropes (Front, Rear and Boom hoist drums)

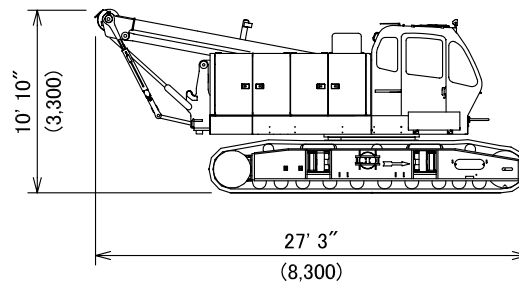
When installing optional third drum, add 4,260 lbs (1,930 kg)



### Base Machine -2

Weight: 85,350 lbs (38,700 kg)

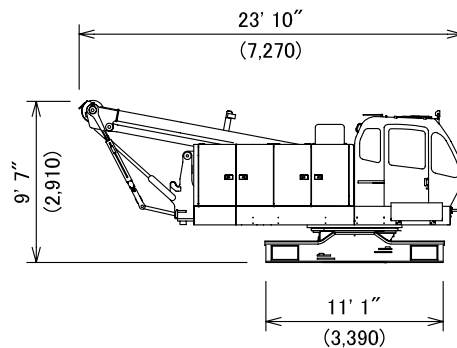
Gantry, Crawler, Wire ropes (Front, Rear and Boom hoist drums)



### Base Machine -3

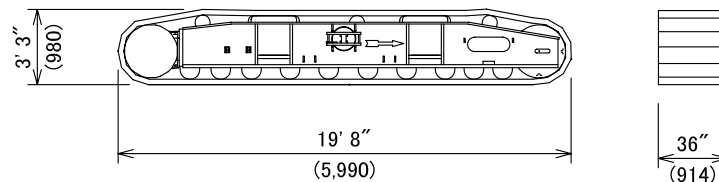
Weight: 52,500 lbs (23,800 kg)

Gantry, Wire ropes (Front, Rear and Boom hoist drums)



### Crawler

Weight: 16,320 lbs (7,400 kg)

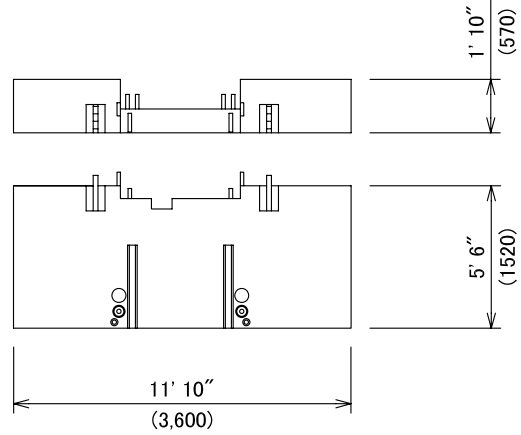


# STERLING CRANE

## Dimensions and Weight

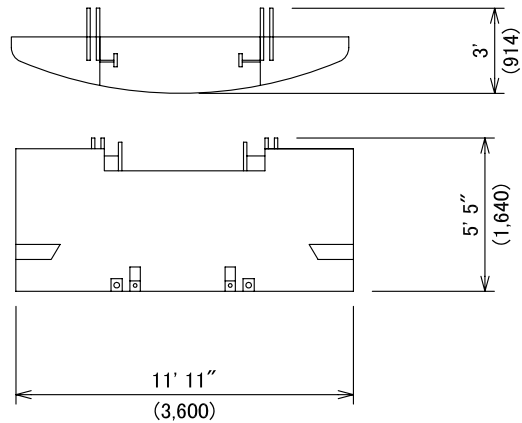
### Counterweight (A)

Weight: 27,340 lbs (12,400 kg)



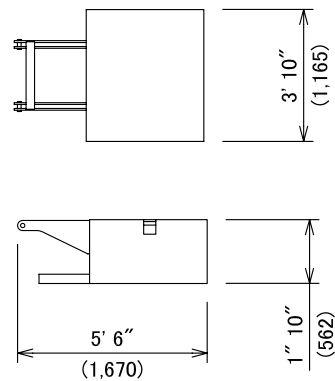
### Counterweight (B)

Weight: 27,560 lbs (12,500 kg)



### Carbody Weight

Weight: 7,360 lbs (3,340 kg)

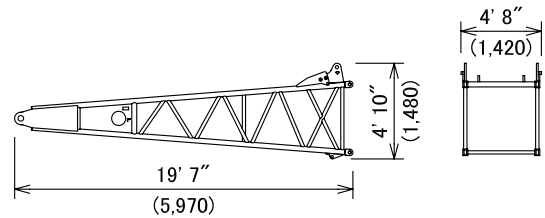


# STERLING CRANE

## Dimensions and Weight

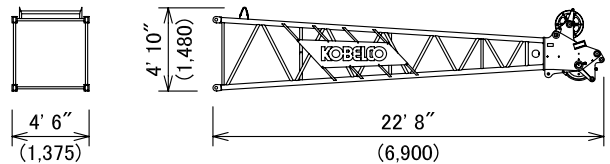
### Boom Base

Weight: 2,230 lbs (1,010 kg)



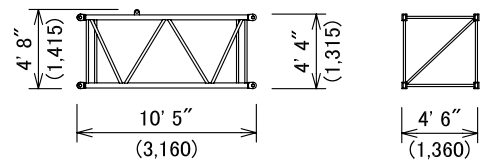
### Boom Tip

Weight: 2,380 lbs (1,080 kg)  
Includes cable roller and guy lines.



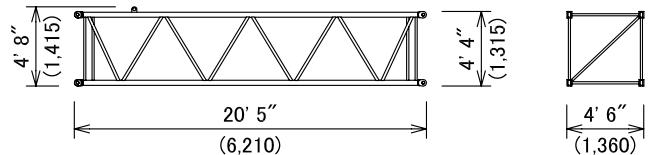
### 10 ft (3.0 m) Insert Boom

Weight: 750 lbs (340 kg)  
Includes cable roller and guy lines.



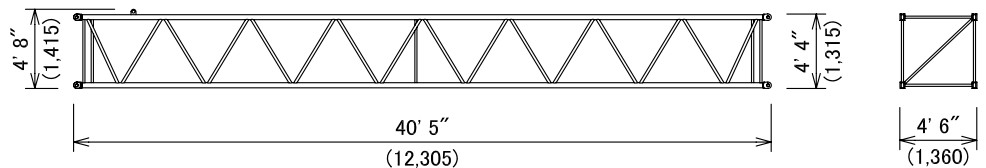
### 20 ft (6.1 m) Insert Boom

Weight: 1,230 lbs (560 kg)  
Includes cable roller and guy lines.



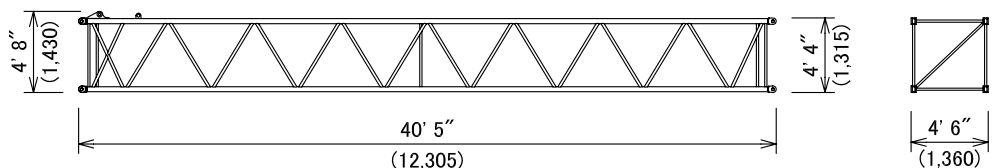
### 40 ft (12.2 m) Insert Boom

Weight: 2,190 lbs (990 kg)  
Includes cable roller and guy lines.



### 40 ft (12.2 m) Insert Boom (with lug)

Weight: 2,220 lbs (1,010 kg)  
Includes cable roller and guy lines.

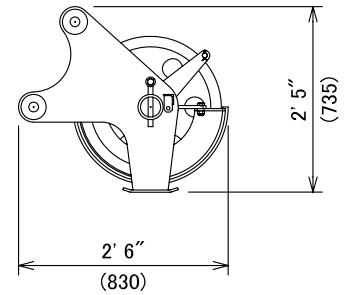


# STERLING CRANE

## Dimensions and Weight

### Auxiliary Sheave

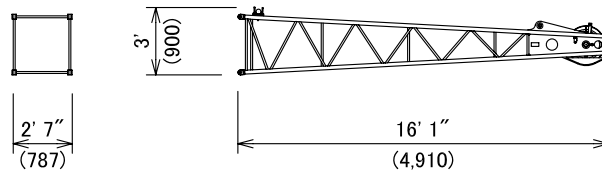
Weight: 320 lbs (145 kg)



### Jib Tip

Weight: 620 lbs (280 kg)

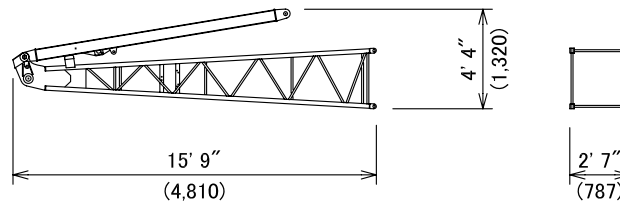
Includes cable roller.



### Jib Base and Strut

Weight: 1,210 lbs (550 kg)

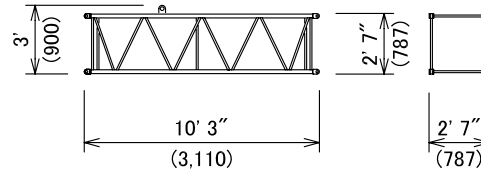
Includes guy line.



### 10 ft (3.0 m) Insert Jib

Weight: 290 lbs (130 kg)

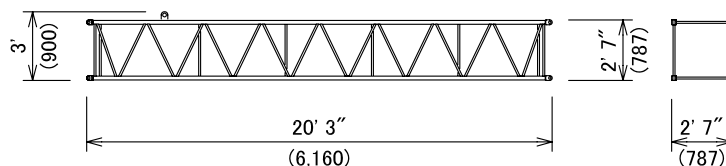
Includes cable roller and guy line.



### 20 ft (6.1 m) Jib Insert

Weight: 490 lbs (220 kg)

Includes cable roller and guy line.



# STERLING CRANE

## Transportation Plan

### Shipping plan for 200 ft Boom and 60 ft Jib

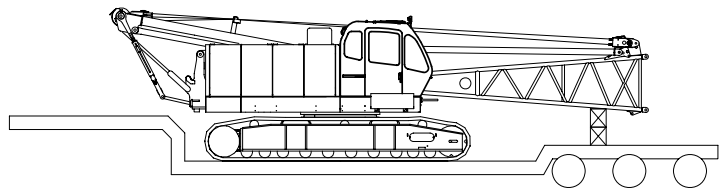
Description of Item	Weight		Trailer Loads			
	lbs	(kg)	#1	#2	#3	#4
Base Machine with Boom Base and Crawlers*	89,980	(40,820)	1			
Counterweight (A)	27,340	(12,400)		1		
Counterweight (B)	27,560	(12,500)			1	
Carbody Weight	7,360	(3,340)		1	1	
10 ft Insert Boom and Guy Line	750	(340)		1	1	
20 ft Inset Boom and Guy Line	1,230	(560)				1
40 ft Insert Boom and Guy Line	2,190	(990)		1	1	
40 ft Insert Boom (w/ Lug) and Guy Line	2,220	(1,010)				1
Boom Tip and Guy Line	2,380	(1,080)				1
Jib Base and Guy Line	1,210	(550)		1		
10 ft Inset Jib and Guy Line	290	(130)		1		
20 ft Inset Jib and Guy Line	490	(220)		1		
Jib Tip	620	(280)		1		
Approx. Total Shipping Weight		lbs (kg)	89,980 (40,820)	40,250 (18,250)	37,860 (17,170)	5,830 (2,650)

\* Third drum is not included.

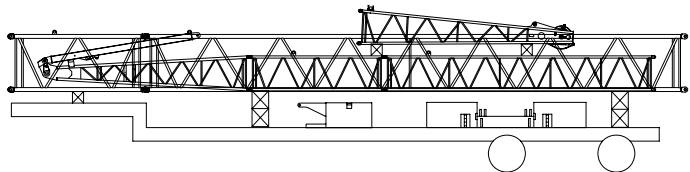
Loads for transportation were targeted at 45,000 lbs, 8' 6" wide, 48' long and 13' 6" high from ground.

This may vary depending on truck/trailer weight, style of trailer and state low.

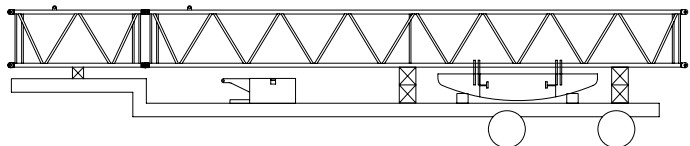
Trailer #1



Trailer #2



Trailer #3



Trailer #4

