

# STERLING CRANE



## TRANSPORTATION SPECS - Crawler Cranes

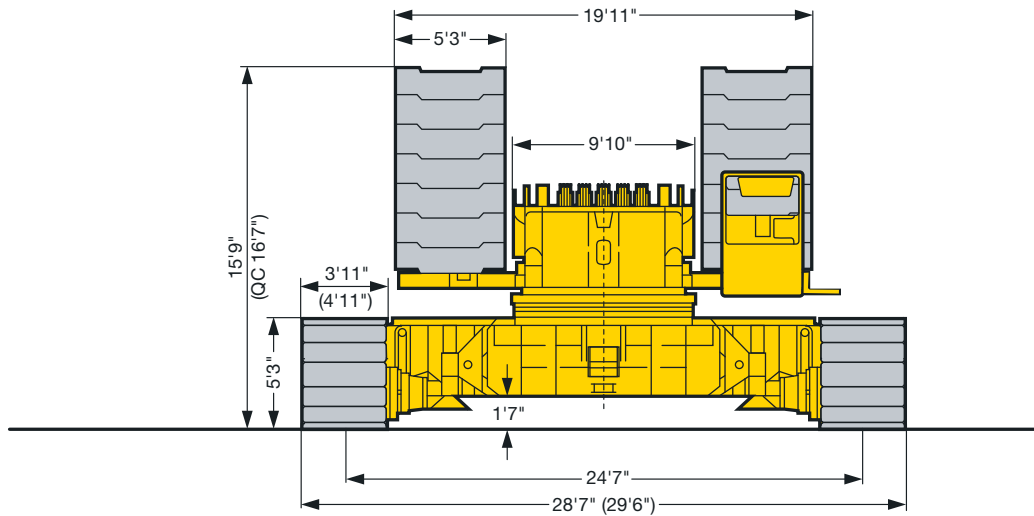
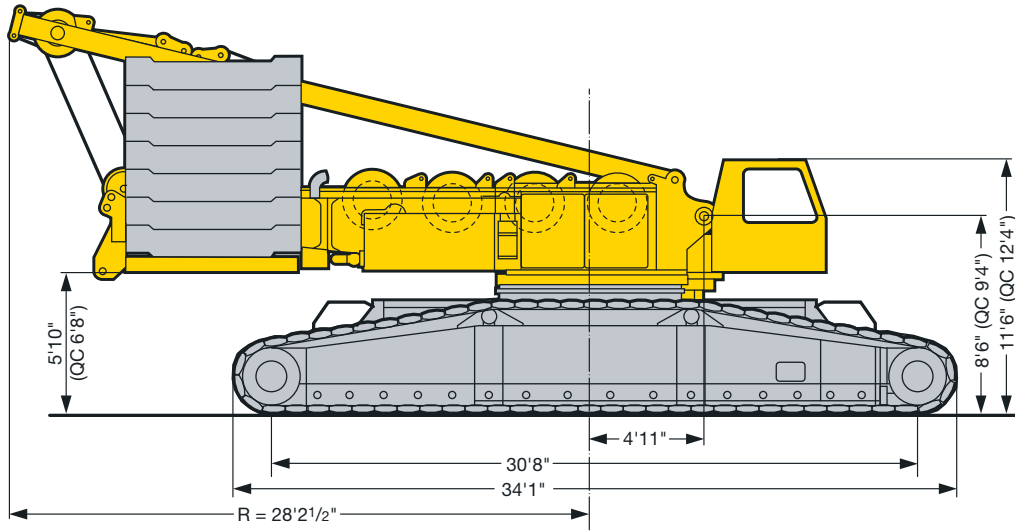
### LIEBHERR MODEL LR1450-K - 450 TON CAPACITY

#### COMPONENT WEIGHTS

	<u>LBS.</u>	<u>KGS.</u>	<u>Boom - Min. 21m – Max. 63m / 69' – 207'</u>		
Complete Crane c/w 50' boom, full cwt. & block (incl. block & max cwt)			Tubular 9'3" X 7'11" H	<u>LBS.</u>	<u>KGS.</u>
Superstructure c/w W4 - 39'5" x 9'10" x 6'7"	72,752	33 000	Boom Butt Section 13.5m 44'4"	27,557	12 500
Carbody – 21'4" x 10'5" x 5'11"	38,580	17 500	Boom 7m 23' 2 pcs. Ea.	8,157	3 700
Tracks (each) – 34'2" x 4' x 6'	61,068	27 700	Boom 14m 46' 2 pcs. Ea.	15,212	6 900
Counterweights:			Boom Tip 26'	12,787	5 800
Main:			Boom Reducer 4m 13'6"	3,307	1 500
Base Slab 19'8" x 8'3" x 1'3" 1 pc. Ea.	34,171	15 500			
10t Slab 8'3" x 5'3" x 1'6" 14 pcs. Ea.	22,046	10 000			
Central:			<u>LUFFING JIB – Min. 28m – 63m / 92' – 207'</u>		
5.5t Slab 19'3" x 3'8" x 7" 2 pcs. Ea.	12,125	5 500	Tubular 7'11" x 6'3"		
8t Slab 10'2" x 2'11" x 1'8" 4 pcs. Ea.	17,637	8 000	Butt 3.5m c/w up & lwr masts 68'11"	31,085	14 100
<u>ADDITIONAL COMPONENTS</u>			Insert 7m 23' 2 pcs. Ea.	3,748	1 700
250 mT / 125 mT Hook Block	13,228	6 000	Insert 14m 46' 2 pcs. Ea.	6,614	3 000
40 mT Hook Block	4,464	2 025	Tip Section 10.5m 34'6"	7,275	3 300
Winch W1	9,260	4 200			
Winch W2	9,260	4 200			
Container	15,500	7 030			

# STERLING CRANE

## Dimensions Encombrement



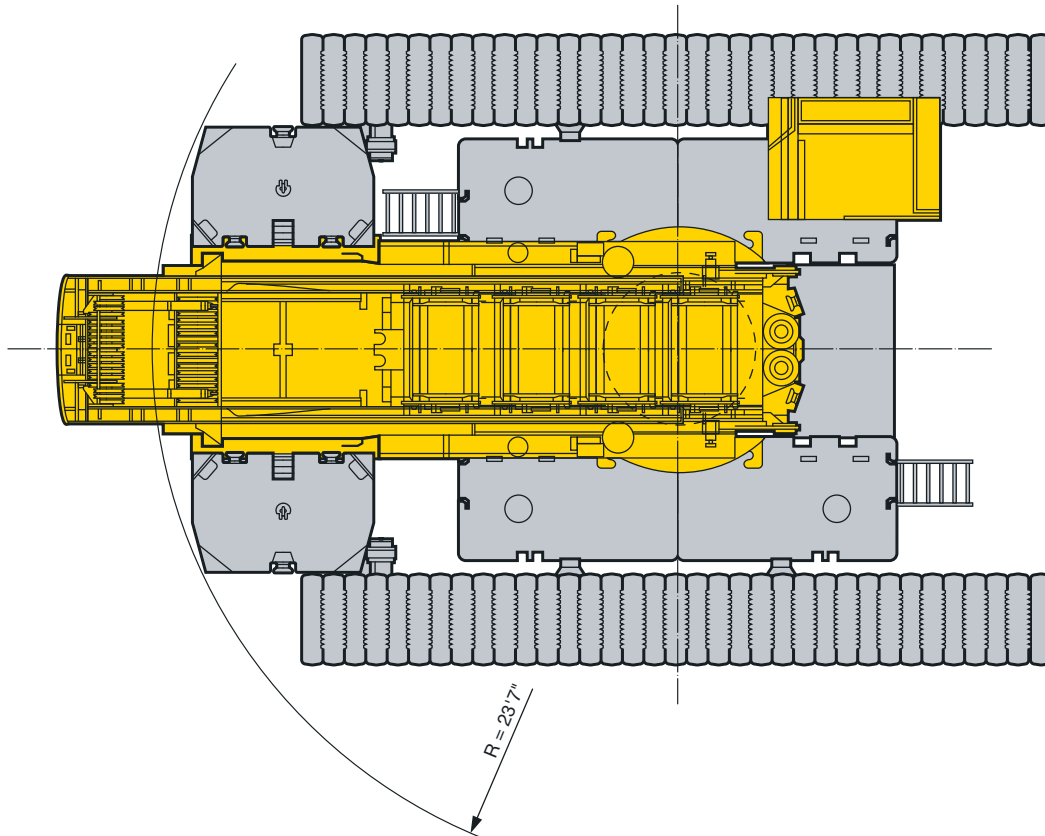
S1526

( ) Pad width 4'11" / Largeur de patin 4'11"

QC = Quick connection

# STERLING CRANE

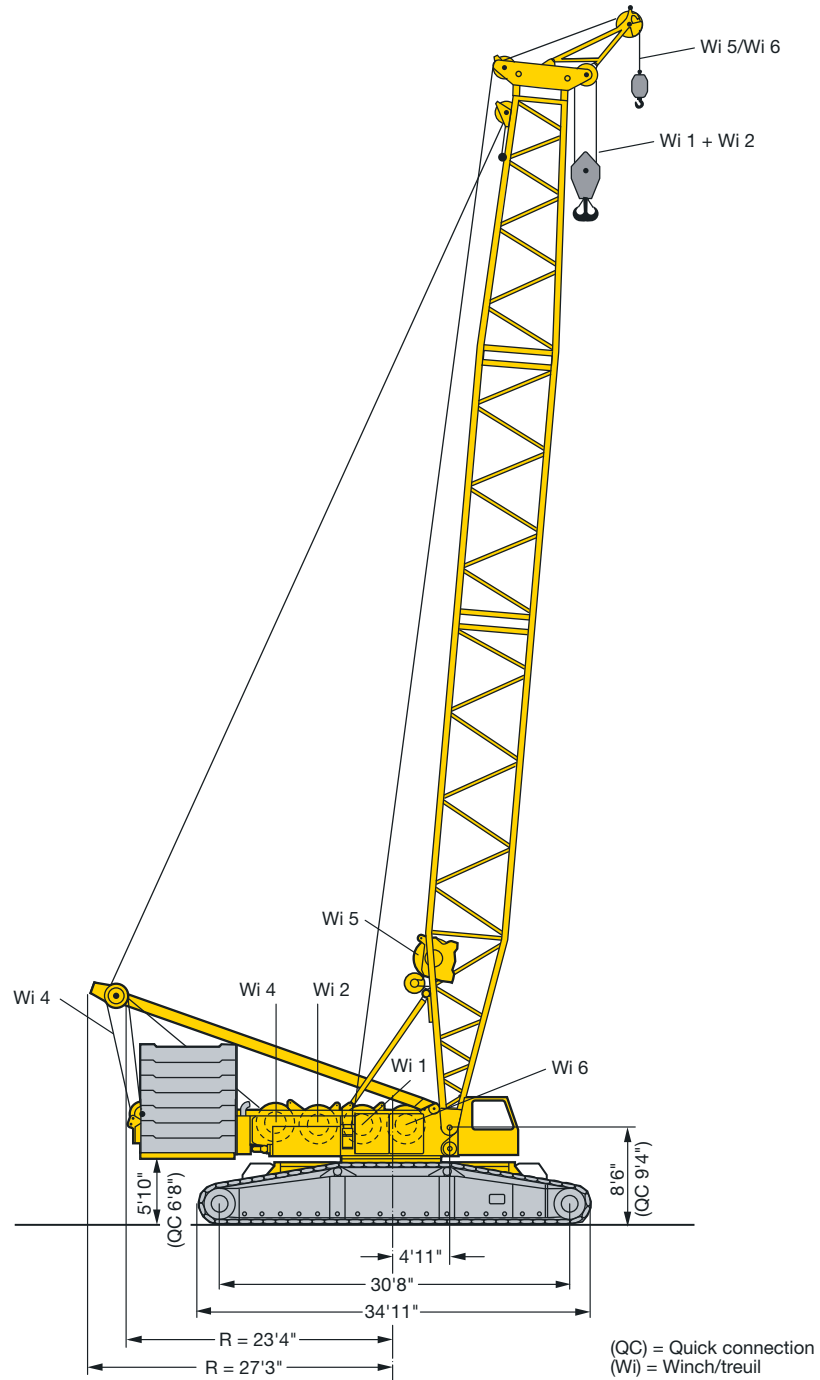
## Dimensions Encombremet



S1527

# STERLING CRANE

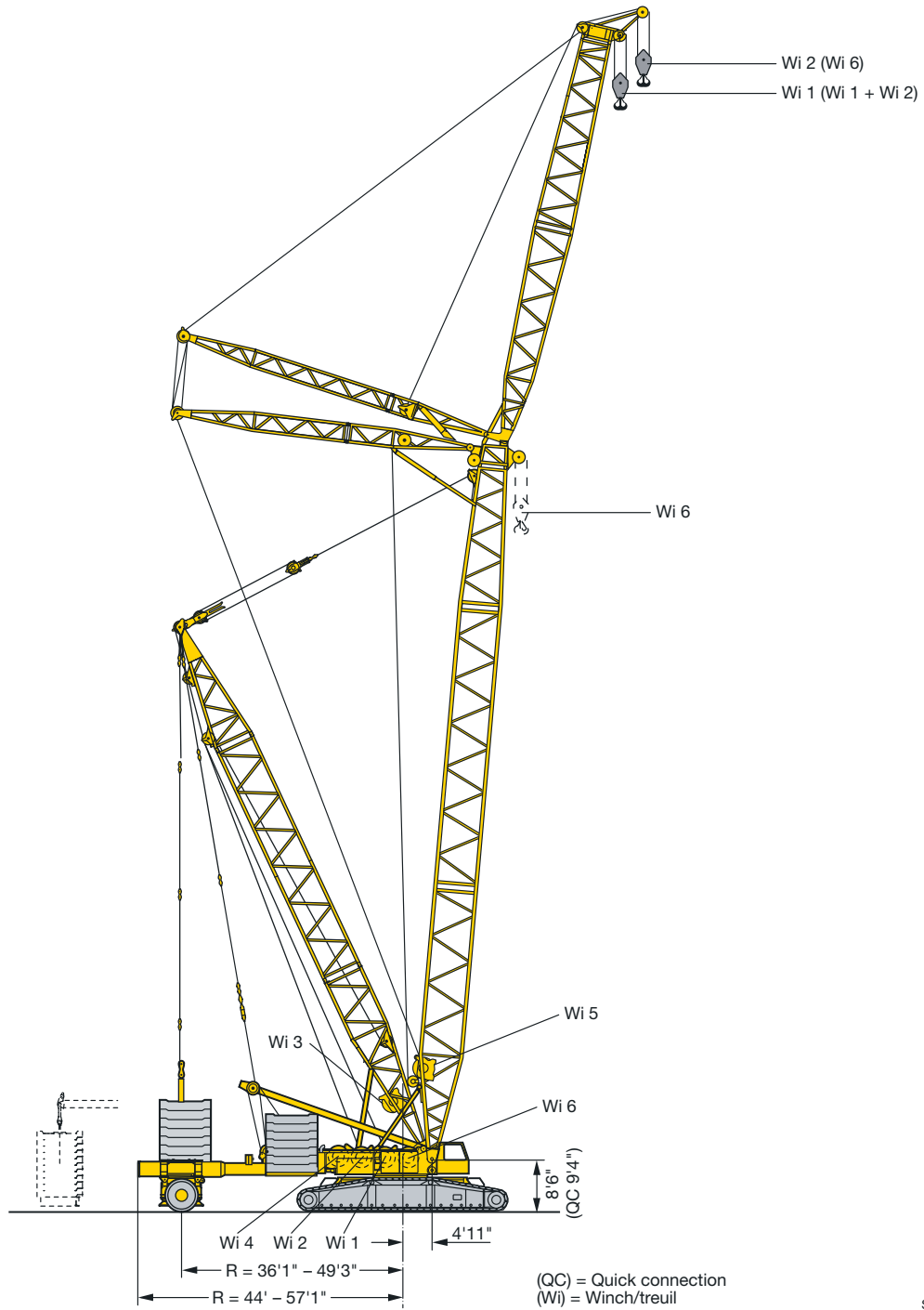
## Dimensions Encombremment



S1528

# STERLING CRANE

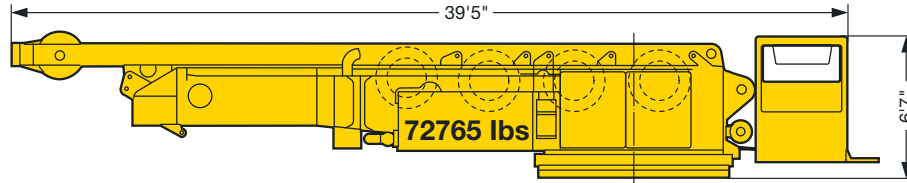
## Dimensions Encombrement



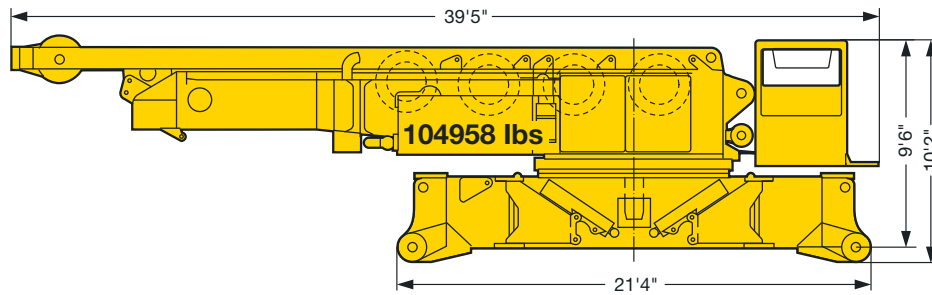
# STERLING CRANE

## Transportation plan Plan de transport

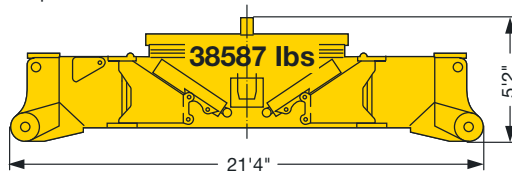
Superstructure with winch IV incl. rope and Quick Connection  
Partie tournante avec treuil IV incl. câble et dispositif de liaison



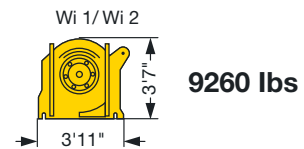
Superstructure with winch IV incl. rope and center section without Quick Connection  
Partie tournante avec treuil IV incl. câble et partie centrale sans dispositif de liaison



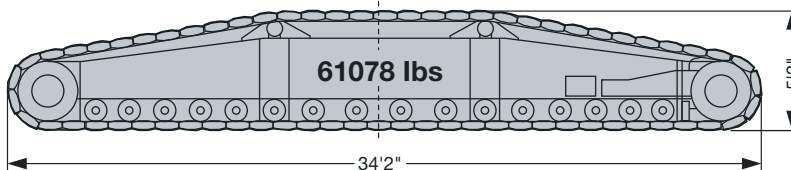
Crawler center section with Quick Connection  
Partie centrale avec dispositif de liaison



Winch 1/2 incl. rops  
Treuil 1/2 incl. câble



Crawler  
Chenille



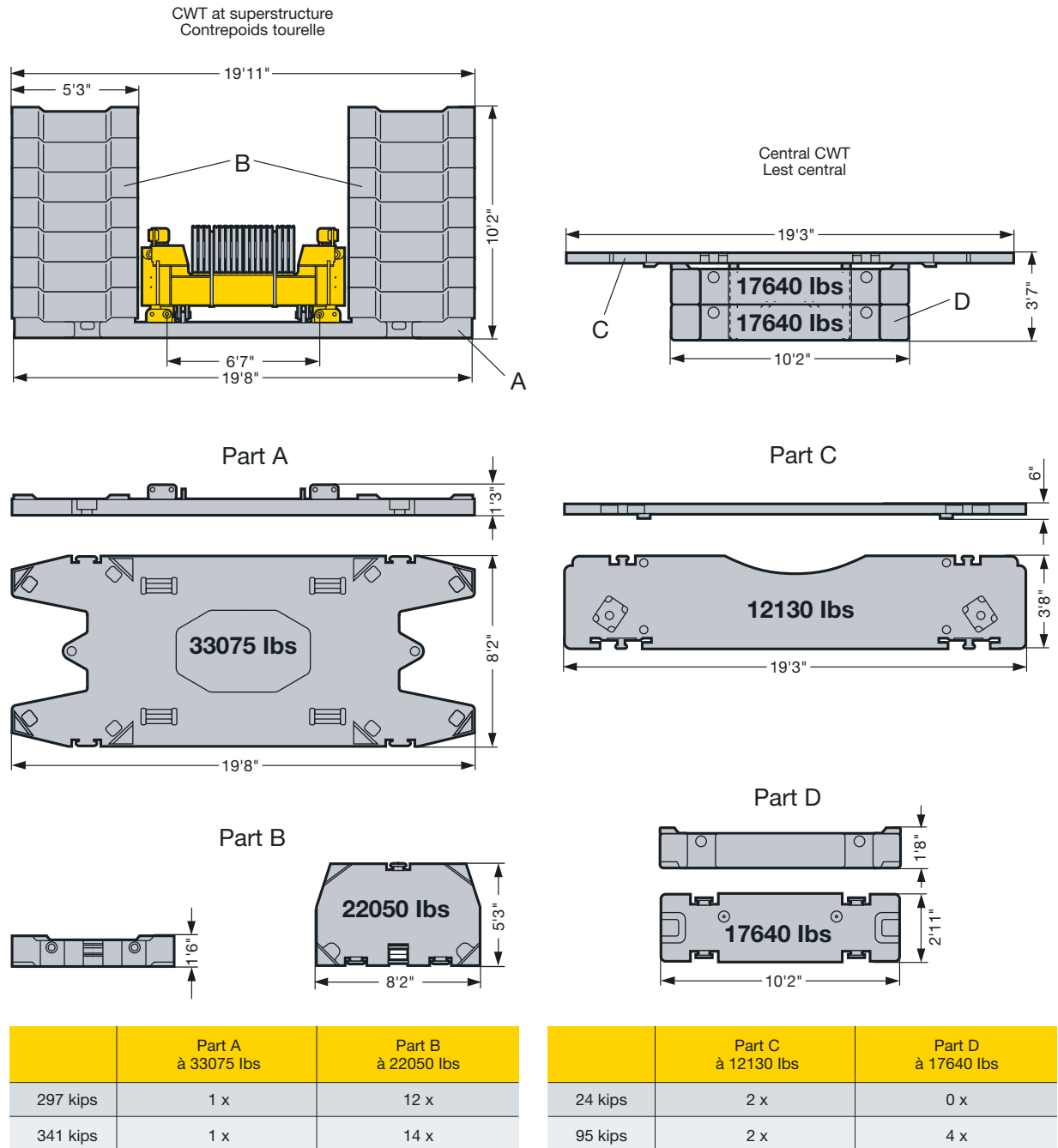
Wi = winch/treuil

S1530

# STERLING CRANE

## Transportation plan Plan de transport

Counterweight versions  
Variantes de contrepoids



S1531

# STERLING CRANE

## Transportation plan Plan de transport

Boom intermediate sections Éléments de flèches intermédiaires	B x H	Base length Longueur de base	Transport length Longueur de transport	Weight lbs* Poids lbs*
LA 2620.10	9'2" x 7'10"	23'	24'3"	6400
		45'11"	47'3"	11900
LA 2620.8	9'2" x 7'10"	45'11"	47'3"	9700
NA 2115.10	7'7" x 5'11"	23'	24'3"	3300
		45'11"	47'3"	6200
NI 1812.10	6'7" x 4'11"	23'	24'3"	3000
		45'11"	47'3"	5500
D 2115.20	8'2" x 6'3"	23'	24'3"	5950
S 2620.20	9'2" x 7'10"	23'	24'3"	8160
		45'11"	47'3"	15200
W 2116.20	7'10" x 6'3"	23'	24'3"	3750
		45'11"	47'3"	6600

\* Weights incl. guy rods and bolts / Poids avec barres de haubanage et boulons

