

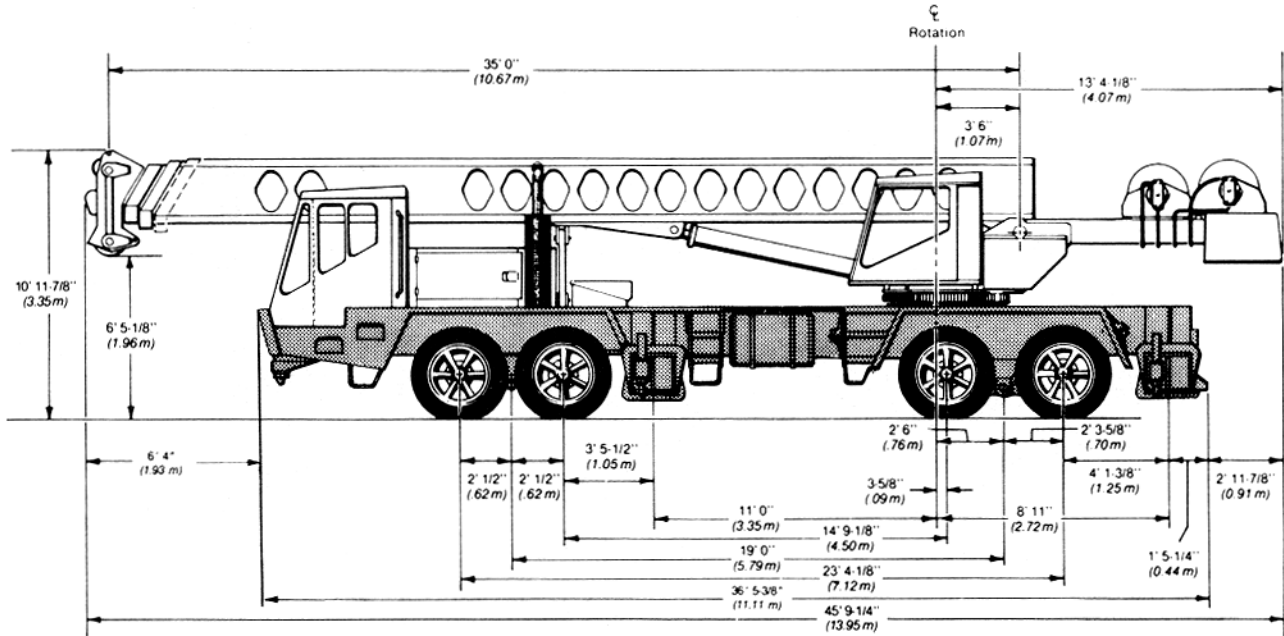


TRANSPORTATION SPECS - Hydraulic Truck Cranes

LINK-BELT MODEL HTC-840 - 40 TON CAPACITY

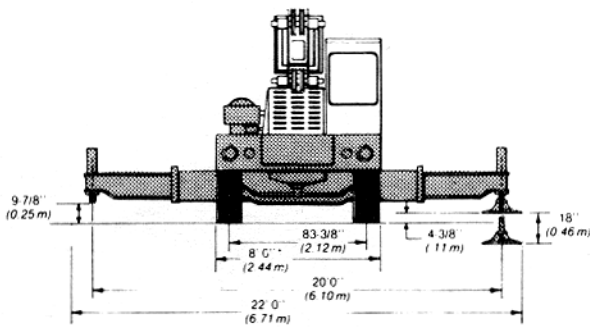
<u>COMPONENT WEIGHTS</u>	<u>LBS.</u>	<u>KGS.</u>
Complete Crane (incl. block, ball & jib)	81,700	37 070
Main Unit	73,700	33 440
Counterweight	8,000	3 630
Certificate Weight		27 700
Certificate Weight c/w Dolly		43 200
<u>ADDITIONAL INFORMATION</u>		
40 Ton Block	800	363
10 Ton Ball	325	148
33' Fly Jib	1,040	472
Boom Dolly	7,650	3 471
Main Load Line (3/4" x 600')	624	284
Auxiliary Hoist Line (3/4" x 465')	484	220
<u>TRANSPORTATION</u>		
Average Driving Speed		50 km/hr
<u>Alberta</u>		<u>Trailer</u>
• All Seasons	Drive	Dolly
<u>British Columbia</u>		
• Normally	Drive	No Dolly
• Road Ban Periods	Drive	Dolly
<u>Saskatchewan*</u>		
• Normally	Drive	No Dolly
• Road Ban Periods	Drive	Restricted Travel on Some Secondary Roads
*Yearly Permit Required		

STERLING CRANE



Not to Scale

General dimensions	Feet	meters
Tailswing-across corners	13' 8-5/8"	4.18
Ground clearance-standard tires	8-1/2"	.22
Ground clearance-optional tires	9"	.23
Turning diameter C/L Standard tire	88' 4"	26.92
Turning diameter (wall to wall)	96' 9"	29.49



*Fender to fender.