



TRANSPORTATION SPECS - Hydraulic Truck Cranes

LINK-BELT MODEL HTC-86+) =- +) TON CAPACITY

COMPONENT WEIGHTS

	<u>LBS.</u>	<u>KGS.</u>
Complete Crane (Includes Block, Ball, Jib & Pads)	98,496	44 677
Main Unit (No cwt, jib, block and ball)	75,944	34 448

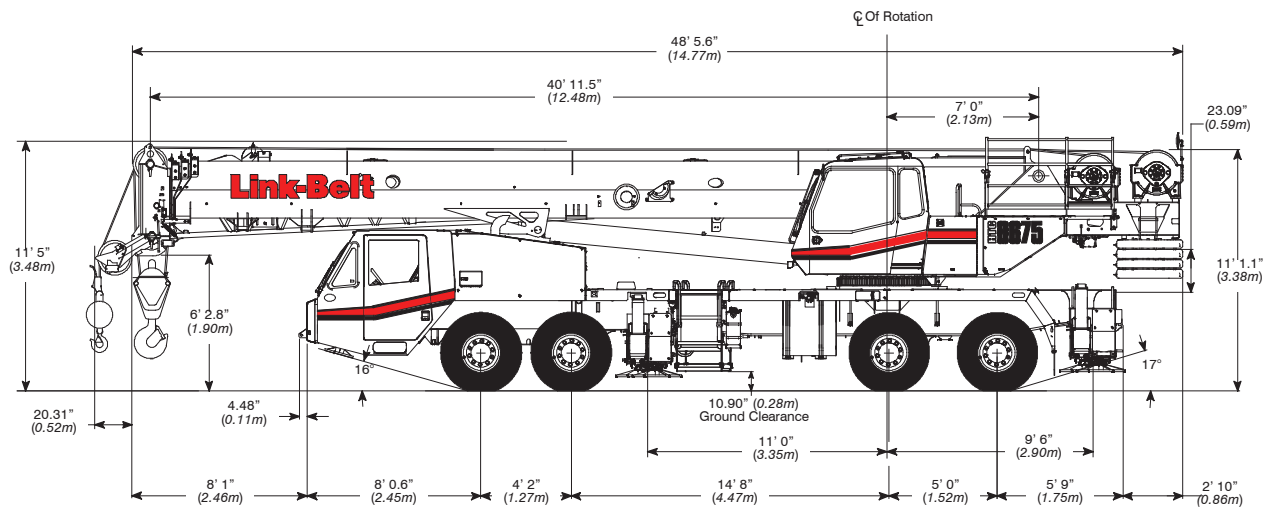
ADDITIONAL INFORMATION

60 Ton (4 Sheave) Block	1,082	491
20 Ton (1 Sheave) Block	753	342
10mT (1 Sheave) Block	484	220
8.5 Ton Ball	357	162
Swingaway Jib (38' – 64')	2,413	1 095
Rooster Sheave	100	45
Removable Counterweight	18,400	8 346

Tire Size	12 R 22.5
Main Load Line	$\frac{3}{4}$ " x 670'
Auxiliary Line	$\frac{3}{4}$ " x 500'

STERLING CRANE

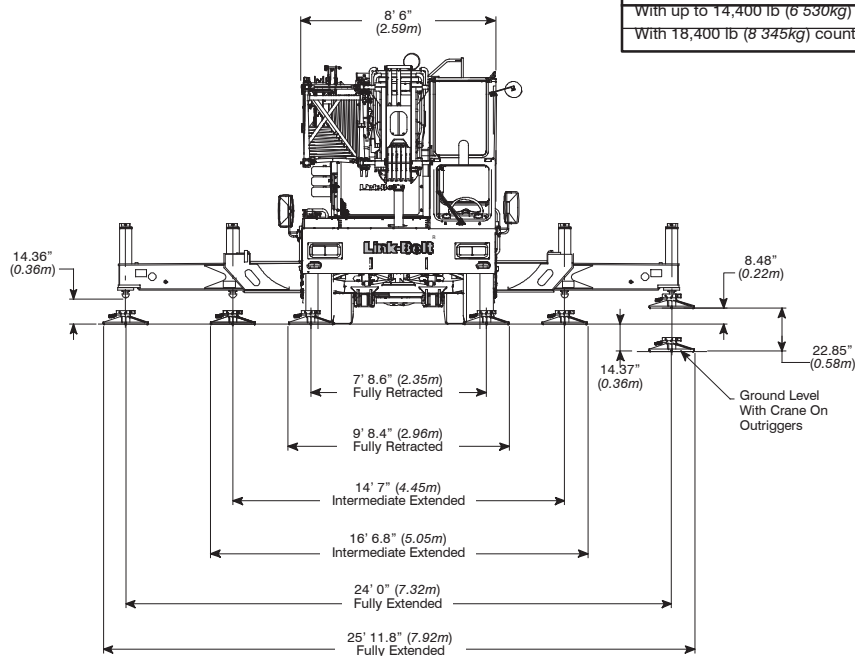
General Dimensions



Turning Radius	English	Metric
Wall to wall over carrier	48' 4"	14.7m
Wall to wall over boom	52' 2"	15.9m
Wall to wall over boom attachment	53' 1"	16.2m
Curb to curb	44' 1"	13.4m
Centerline of tire	43' 4"	13.2m

Tail Swing	English	Metric
With counterweight	13' 9"	4.2m

Overall Width	English	Metric
With up to 14,400 lb (6 530kg) counterweight	8' 6"	2.6m
With 18,400 lb (8 345kg) counterweight	10' 4"	3.1m



Not To Scale