

STERLING CRANE

TRANSPORTATION SPECS - Hydraulic Truck Cranes

LINK-BELT MODEL HTC86100 - 100 TON CAPACITY



COMPONENT WEIGHTS

	<u>LBS.</u>	<u>KGS.</u>
Complete Crane (Includes full counterweight, 60 Ton Block, 8.5 Ton Ball, Jib & Pads)	124,841	56 627
Main Unit (No counterweight, jib, 60 Ton block and 8.5 Ton ball)	84,661	38 402

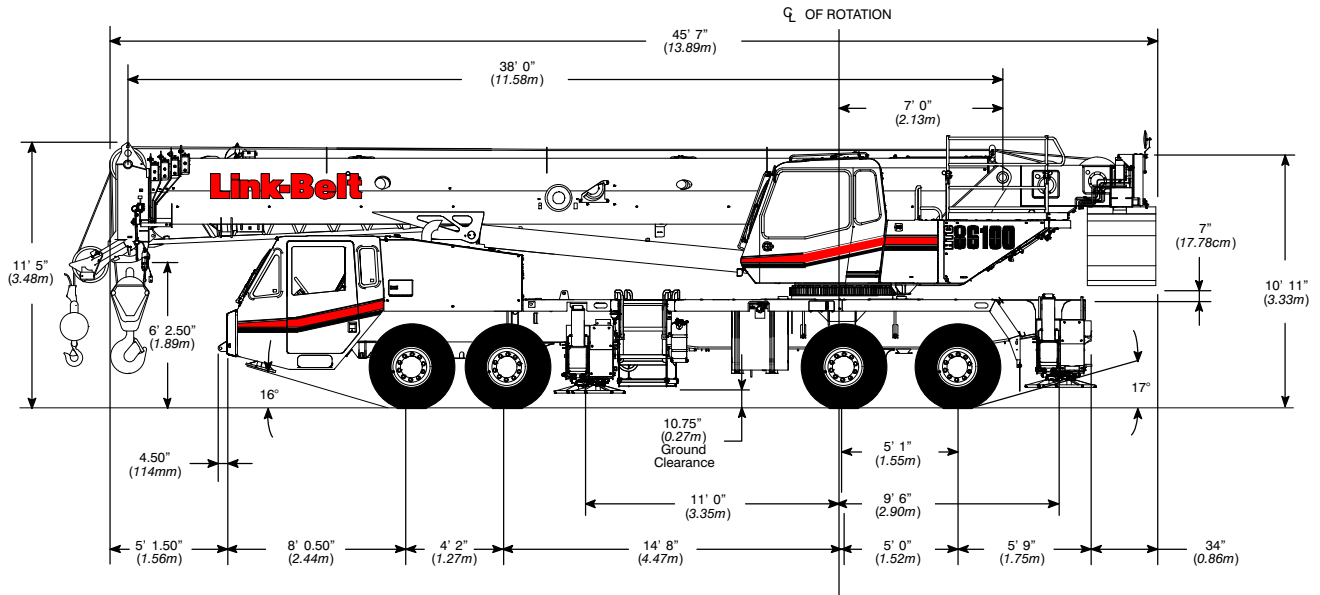
ADDITIONAL INFORMATION

60 Ton (4 Sheave) Block	1,082	490
8.5 Ton Ball	356	162
Swingaway Jib (38' – 64')	2,263	1 026
Rooster Sheave	110	50
Removable Counterweight	39,500	17 917

Tire Size	Front	445/65 R 22.5
	Rear	12R22.5
Main Load Line		$\frac{3}{4}$ " x 730
Auxiliary Line		$\frac{3}{4}$ " x 600'

STERLING CRANE

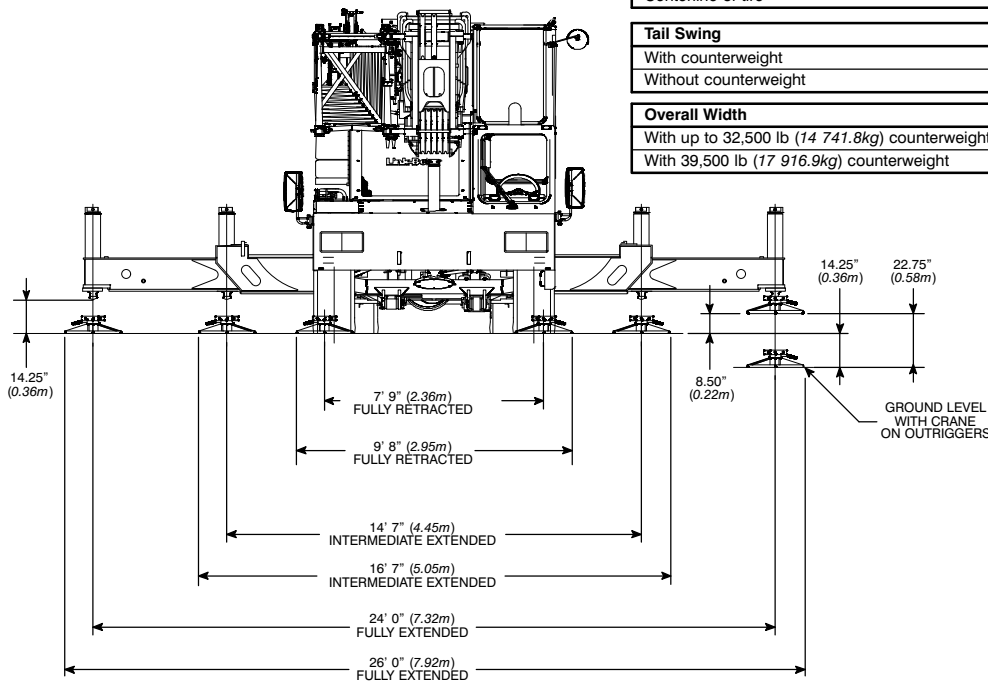
General Dimensions EPA 2010



Turning Radius	English	Metric
Wall to wall over carrier	48' 4"	14.7m
Wall to wall over boom	49' 2"	15.0m
Wall to wall over boom attachment	51' 0"	15.5m
Curb to curb	44' 1"	13.4m
Centerline of tire	43' 4"	13.2m

Tail Swing	English	Metric
With counterweight	13' 9"	4.2m
Without counterweight	13' 1"	4.0m

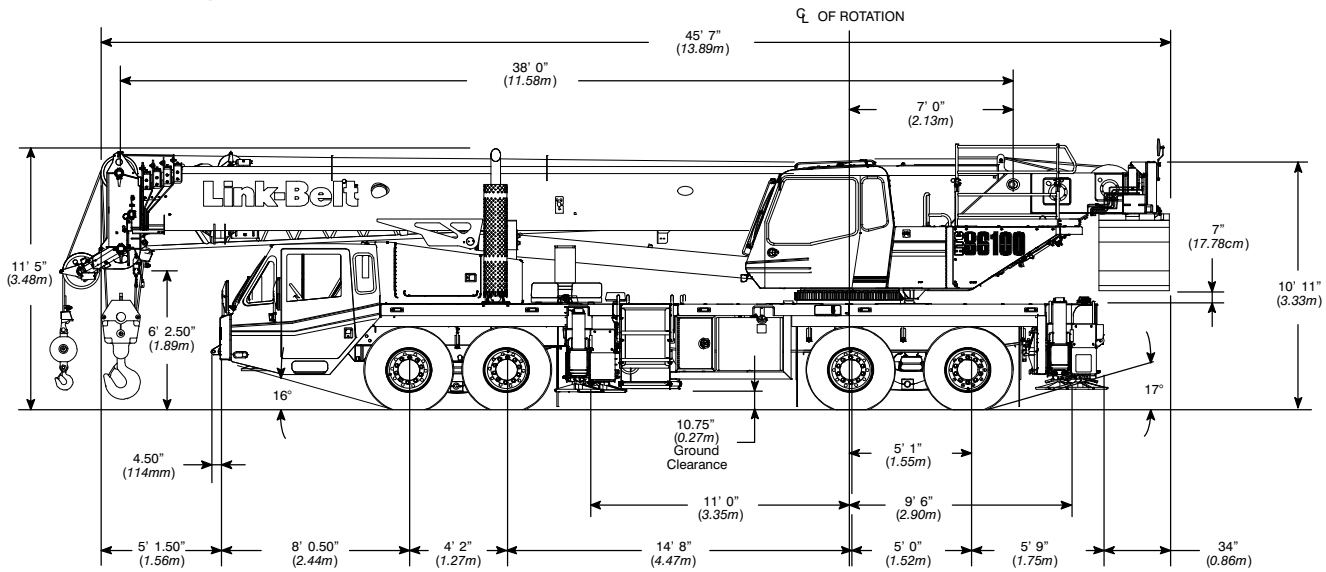
Overall Width	English	Metric
With up to 32,500 lb (14 741.8kg) counterweight	8' 6"	2.6m
With 39,500 lb (17 916.9kg) counterweight	11' 0"	3.4m



Not To Scale

STERLING CRANE

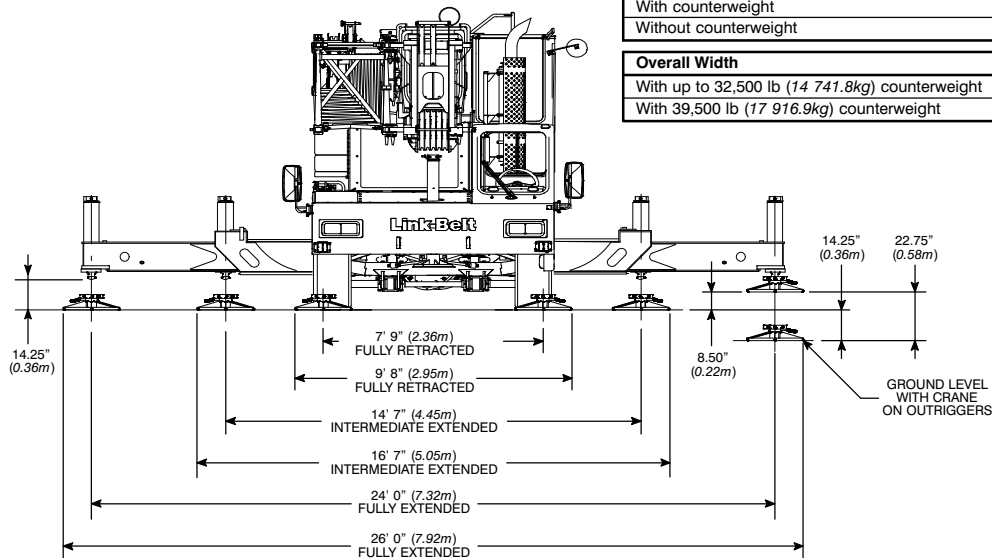
General Dimensions Tier III / Stage IIIA



Turning Radius	English	Metric
Wall to wall over carrier	48' 4"	14.7m
Wall to wall over boom	49' 2"	15.0m
Wall to wall over boom attachment	51' 0"	15.5m
Curb to curb	44' 1"	13.4m
Centerline of tire	43' 4"	13.2m

Tail Swing	English	Metric
With counterweight	13' 9"	4.2m
Without counterweight	13' 1"	4.0m

Overall Width	English	Metric
With up to 32,500 lb (14 741.8kg) counterweight	8' 6"	2.6m
With 39,500 lb (17 916.9kg) counterweight	11' 0"	3.4m



Not To Scale