



## TRANSPORTATION SPECS - Rough Terrain Cranes GROVE MODEL RT58D - 20 TON CAPACITY

<u>COMPONENT WEIGHTS</u>	<u>LBS.</u>	<u>KGS.</u>
Complete Crane (1) (incl. block, ball & 23' A-frame jib)	51,000	23 140

### ADDITIONAL INFORMATION

22 Ton Block	455	207
5 Ton Ball	150	68
23' A-Frame Jib	1,000	454
23' - 38' A-Frame Jib*	1,700	772
Main Load Line (1/2" x 400')	184	84

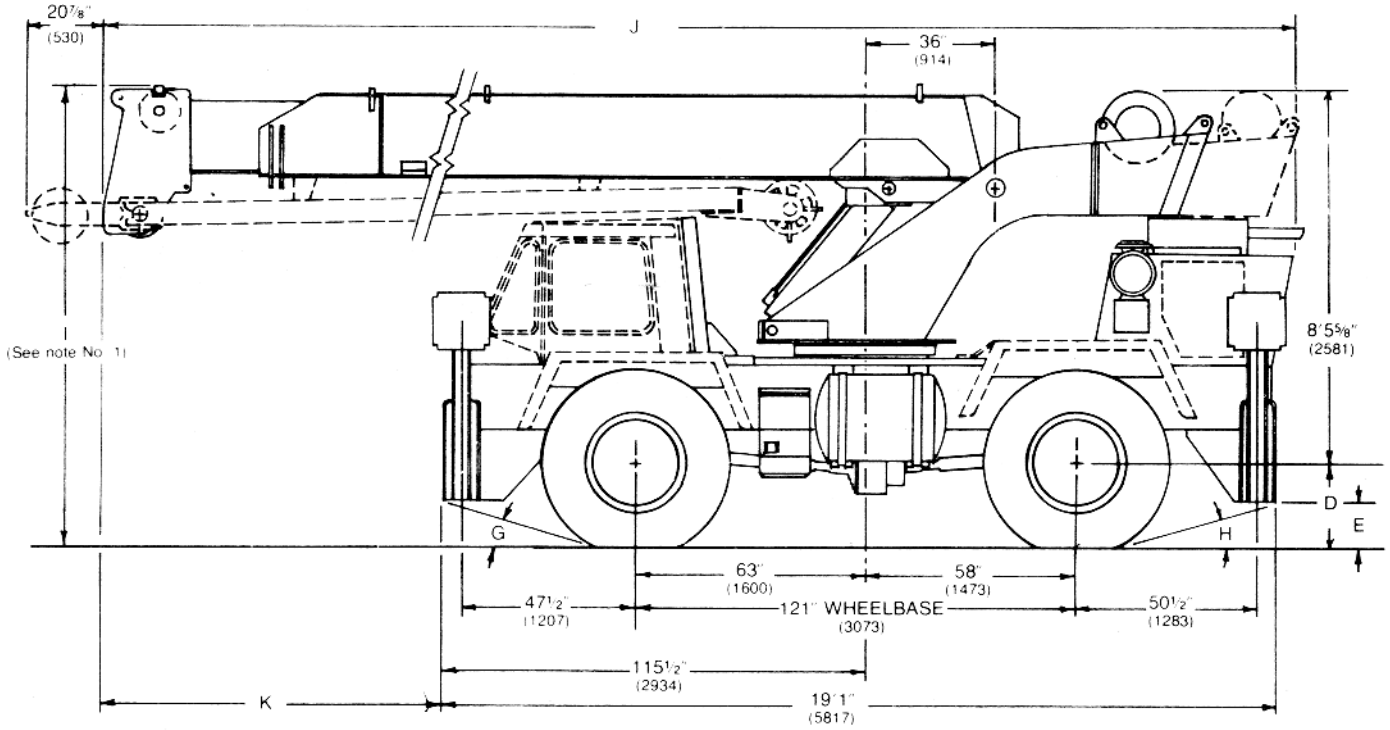
\* Installed on unit 20-1-509

### TRANSPORTATION

#### Alberta, British Columbia and Saskatchewan

	<u>Weight</u>	<u>Trailer</u>
• Spring	(1)	Tri-Axle
• Summer & Winter	(1)	Tri-Axle or Tandem w/Permit

# STERLING CRANE



## DIMENSIONS

Boom Length Tire Size	A	B	C	D	E	F	G	H	I	
									24-42 ft. (7.3-12.8 m) or 25-60 ft. (7.6-18.3 m)	28-70 ft. (8.5-21.3 m)
14:00 x 24	62 1/2 in. (1588)	79 1/2 in. (2019)	96 1/2 in. (2451)	24 in. (610)	13 in. (330)	6 1/8 in. (156)	17°	17°	10 ft. 5 7/8 in. (3197)	11 ft. 2 5/8 in. (3150)
17.5 x 25	57 11/16 in. (1473)	77 1/2 in. (1969)	97 5/16 in. (2464)	23 3/16 in. (589)	12 3/16 in. (310)	7 3/16 in. (182)	17°	16°	10 ft. 5 in. (3175)	Not Available
20.5 x 25	57 1/4 in. (1448)	81 1/8 in. (2061)	105 in. (2667)	26 13/16 in. (681)	15 13/26 in. (402)	6 7/16 in. (164)	21°	20°	10 ft. 8 3/4 in. (3270)	11 ft. 5 1/2 in. (3493)

Boom Length	J	K
24-42 ft. (7.3-12.8 m)	31 ft. 9 13/16 in. (9698)	12 ft. 4 3/16 in. (3764)
25-60 ft. (7.6-18.3 m)	32 ft. 5 5/16 in. (9889)	12 ft. 10 11/16 in. (3954)
28-70 ft. (8.5-21.3 m)	35 ft. 9 5/16 in. (10905)	16 ft. 3 11/16 in. (4970)

