



## TRANSPORTATION SPECS - Boom Trucks

### MANITOWOC MODEL 1781C - 17 TON CAPACITY

#### COMPONENT WEIGHTS

	<u>LBS.</u>	<u>KGS.</u>
Complete Crane and Truck (Two Piece Jib and Steel Deck)	32,278	14 672
Crane Only W/Fixed Jib	17,558	7 981

#### ADDITIONAL INFORMATION

Fixed Jib (23'-40')	760	345
7 Ton Ball	104	47
Deck – Steel 8'6" x 20'	1,720	780

#### TRANSPORTATION

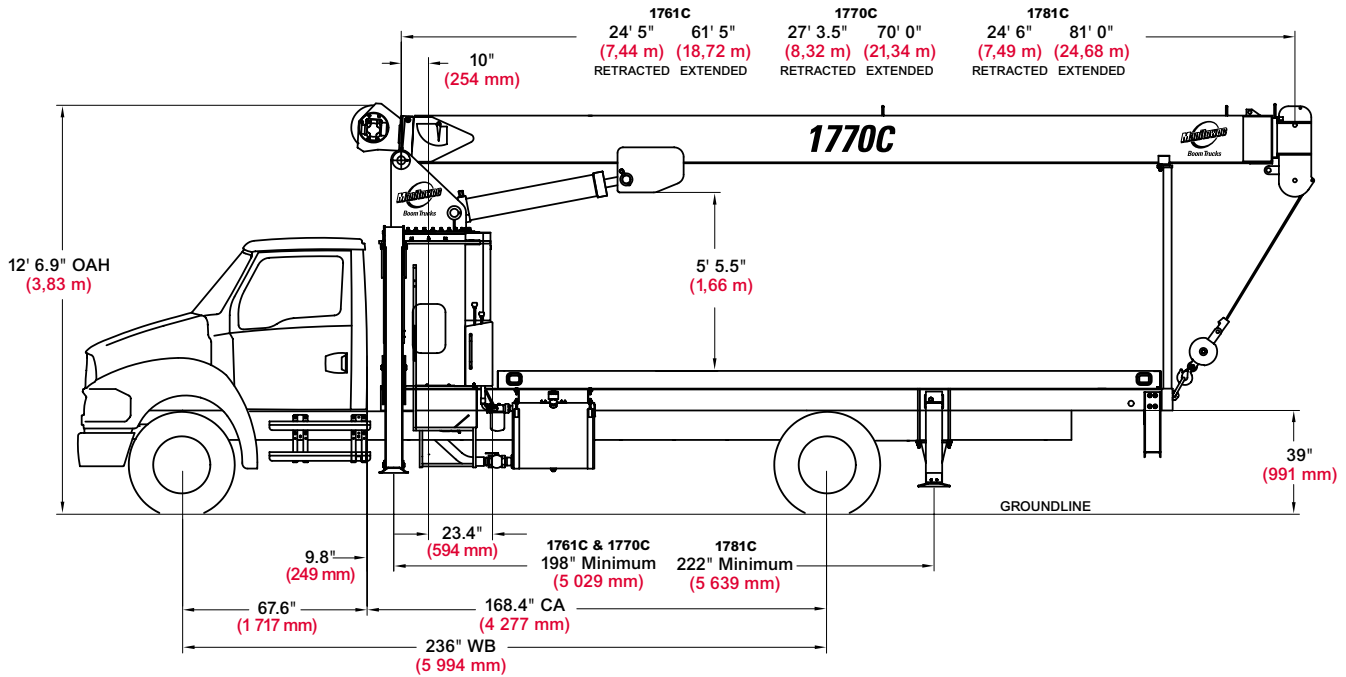
Average Driving Speed 80 km/hr

#### ALL PROVINCES

- All Season Drive

# STERLING CRANE

## outline dimensions



### Chassis Data

Minimum Truck Requirements	1761C	1770C	1781C
<b>Wheelbase (WB)</b>	<b>236"</b> (5 994 mm)	<b>236"</b> (5 994 mm)	<b>236"</b> (5 994 mm)
<b>Cab to Axle (CA)</b>	<b>168"</b> (4 267 mm)	<b>168"</b> (4 267 mm)	<b>168"</b> (4 267 mm)
<b>After Frame (AF)</b>	<b>90"</b> (2 286 mm)	<b>90"</b> (2 286 mm)	<b>90"</b> (2 286 mm)
<b>Frame Section Modulus</b>	<b>15.9 in<sup>3</sup></b> <b>110,000 psi</b> (758 422 kPa)	<b>15.9 in<sup>3</sup></b> <b>110,000 psi</b> (758 422 kPa)	<b>15.9 in<sup>3</sup></b> <b>110,000 psi</b> (758 422 kPa)
<b>Front Axle Gross Weight Rating</b>	<b>12,000 lb</b> (5 443 kg)	<b>12,000 lb</b> (5 443 kg)	<b>16,000 lb</b> (7 257 kg)
<b>Rear Axle Gross Weight Rating</b>	<b>21,000 lb</b> (9 525 kg)	<b>21,000 lb</b> (9 525 kg)	<b>34,000 lb</b> (15 422 kg)
<b>Truck Axle Weight – Front*</b>	<b>5,700 lb</b> (2 585 kg)	<b>5,700 lb</b> (2 585 kg)	<b>6,500 lb</b> (2 948 kg)
<b>Truck Axle Weight – Back*</b>	<b>3,900 lb</b> (1 769 kg)	<b>3,900 lb</b> (1 769 kg)	<b>6,500 lb</b> (2 948 kg)
<b>Nominal Frame Width</b>	<b>34 - 35"</b> (864 - 889 mm)	<b>34 - 35"</b> (864 - 889 mm)	<b>34 - 35"</b> (864 - 889 mm)

\*Minimum chassis weight is required to meet 85% stability requirements.

Chassis data is general – not for engineering. Some dimensions depend on truck selection.

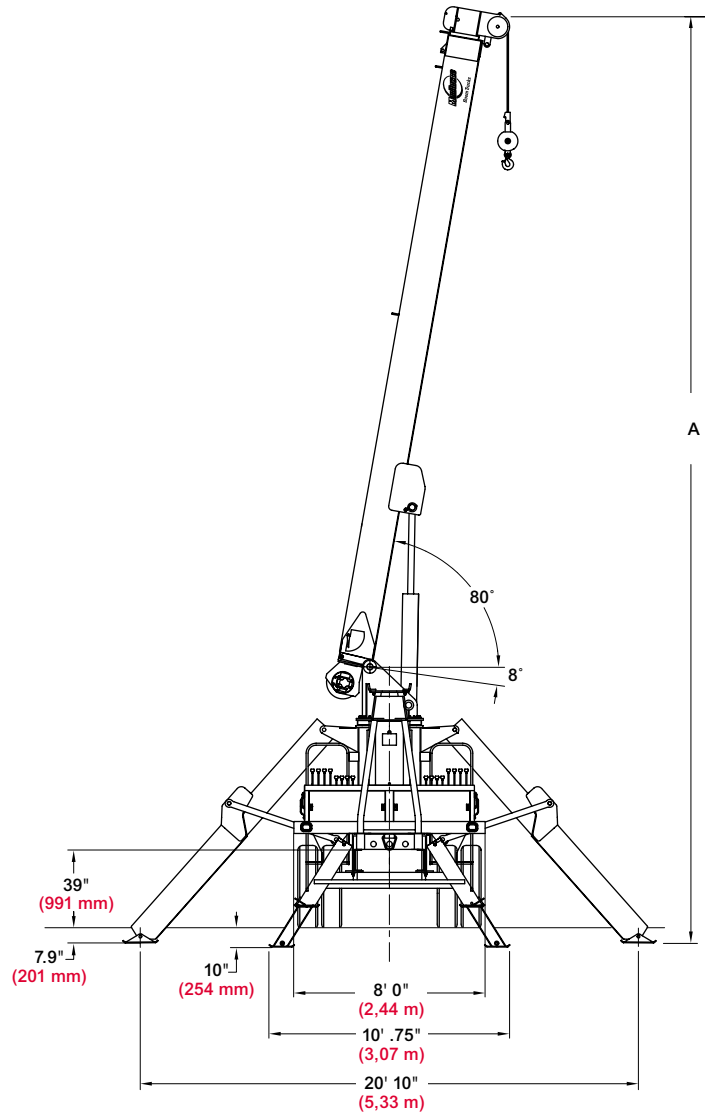
OAH Overall Height  
 CT Cab to Tandem  
 CA Cab to Axle  
 WB Wheel Base  
 BBC Bumper to Back of Cab  
 AF Afterframe

### Weights

	1761C	1770C	1781C
<b>Total Crane</b>	<b>14,698 lb</b> (6 667 kg)	<b>15,098 lb</b> (6 848 kg)	<b>16,798 lb</b> (7 619 kg)
<b>1 Piece 23' (7,01 m)</b>	<b>480 lb</b> (218 kg)	<b>480 lb</b> (218 kg)	<b>480 lb</b> (218 kg)
<b>2 Piece 23' - 40' (7,01 - 12,19 m)</b>	<b>760 lb</b> (345 kg)	<b>760 lb</b> (345 kg)	<b>760 lb</b> (345 kg)
<b>20' (6,1 m) Steel Bed</b>	<b>1,720 lb</b> (780 kg)	<b>1,720 lb</b> (780 kg)	<b>1,720 lb</b> (780 kg)
<b>20' (6,1 m) Wood Bed</b>	<b>1,800 lb</b> (817 kg)	<b>1,800 lb</b> (817 kg)	<b>1,800 lb</b> (817 kg)

# STERLING CRANE

## outline dimensions



### Maximum Tip Height (A)

Configuration	1761C	1770C	1781C
	Boom 61' 0" (18,6 m)	Boom 70' 0" (21,3 m)	Boom 81' 0" (24,7 m)
Retracted	35' 12" (11,0 m)	38' 10" (11,8 m)	36' 0" (11,0 m)
Extended	72' 5" (22,1 m)	80' 10" (24,6 m)	91' 9" (28,0 m)
Fixed or Retracted Jib	95' 4" (29,1 m)	103' 9" (31,6 m)	114' 8" (35,0 m)
Extended Jib	112' 1" (34,2 m)	120' 6" (36,7 m)	131' 5" (40,1 m)