



TRANSPORTATION SPECS - Crawler Cranes

DEMAG MODEL CC 1800-1 - 330 TON CAPACITY

<u>COMPONENT WEIGHTS</u>	<u>LBS.</u>	<u>KGS</u>	<u>MAIN BOOM 60' TO 236' OR 18m TO 72m</u>	<u>LBS</u>	<u>KGS</u>
Complete Crane C/W 72m Boom, 120t Main Cwt, 30t Ballast cwt	651,412	296 096	<u>OD (Tubular) 8'6" x 7'6"</u>		
Superstructure Complete (43'4" x 9'10" x 7'6")	96,800	44 000	Butt Section 10m c/w W2 Winch	20,636	9 380
Carbody c/w Jacks (22'4" x 9'10" x 3'4")	41,900	19 000	Insert 6m	4,620	2,100
Crawler #1 (32'10" x 4'4" x 4'10")	52,800	24 000	Insert 12 m, 4 Pcs. Each	7,700	3 500
Crawler #2 (32'10" x 4'4" x 4'10")	52,800	24 000	Insert 6m Reducer	6,160	2 800
			Tip Section, 2m	7,172	3 260
<u>COUNTERWEIGHT</u>			<u>SUPERLIFT MAST 98' OR 30m</u>		
120t of Main Cwts.			<u>OD (TUBULAR) 7'5" x 6'3"</u>		
1 – Base Cwt. (22' x 8'2" x 2'10")	44,000	20 000	Butt Section c/w Winch 6m	13,860	6 300
4 – Mid 10t Cwts. (7'8" x 6' x 2') each	22,000	10 000	Insert 12m	5,940	2 700
4 – Top 15t Cwts. (7'8" x 6' x 2') each	33,000	15 000	Tip Section 12m	13,640	6 200
30t of Carbody Cwts.			<u>LIGHT JIB 118' OR 36M</u>		
2 – 15t cwts., each	33,000	15 000	<u>OD (TUBULAR) 6' 6" x 4'8"</u>		
200t of Superlift Counterweights			Butt Section c/w Mast (7'3" High)	2,490	1,130
1 – Cwt Carrier (24'7" x 9'10" x 8'2")	44,000	20 000	Insert 12m 2Pcs ea.	2,690	1,220
18 – 10t cwts. Each	22,000	10 000	Tip Section	2,000	908
<u>ADDITIONAL INFORMATION</u>			<u>LUFFING JIB 59' TO 236' OR 18m TO 72m</u>		
Hook Block, 300t / 160t, 13 sheave (8'2" 5'3" x 2'6")	15,840	7 200	<u>OD (TUBULAR) 7'4" x 5'9"</u>		
Hook Block, 100t, 3 sheave	7,480	3 400	Butt Section 6m	3,080	1 400
Hook Block, 40t, single sheave	6,160	2 800	Insert 6m	3,750	1 705
Ball 12.5t	1,320	600	Insert 12m	6,380	2 900
Runner (7'2" x 3' x 1'10")	990	450	Insert 6m	3,600	1 630
Two Superlift Trays (24' x 9'9" x 1'9") each SL 196" x 108" x 18"	9,020	4 100	Insert 12m, 2 pcs. each	6,050	2 750
Connecting Frame (16' x 9'8" x 2'11")	4,514	2 052	Insert 12m	5,280	2 400
H1 Winch (8'2" x 3'9" x 3'9")	11,220	5 100	Tip Section 6m	7,920	3 600
H2 Winch (8'2" x 3'9" x 3'9")	8,800	4 000	Luffing Masts	10,560	4 800
Two Ballast Trays (7'2" x 7'8" x 2'6")	1,606	730	Luffing Pendants	13.44 lb./ft	20 kg/m
Easy Out Extractor	462	210			
Container (19'8" x 7'11" x 7'11")	13,860	6 300			

STERLING CRANE

Specifications

Carrier performance

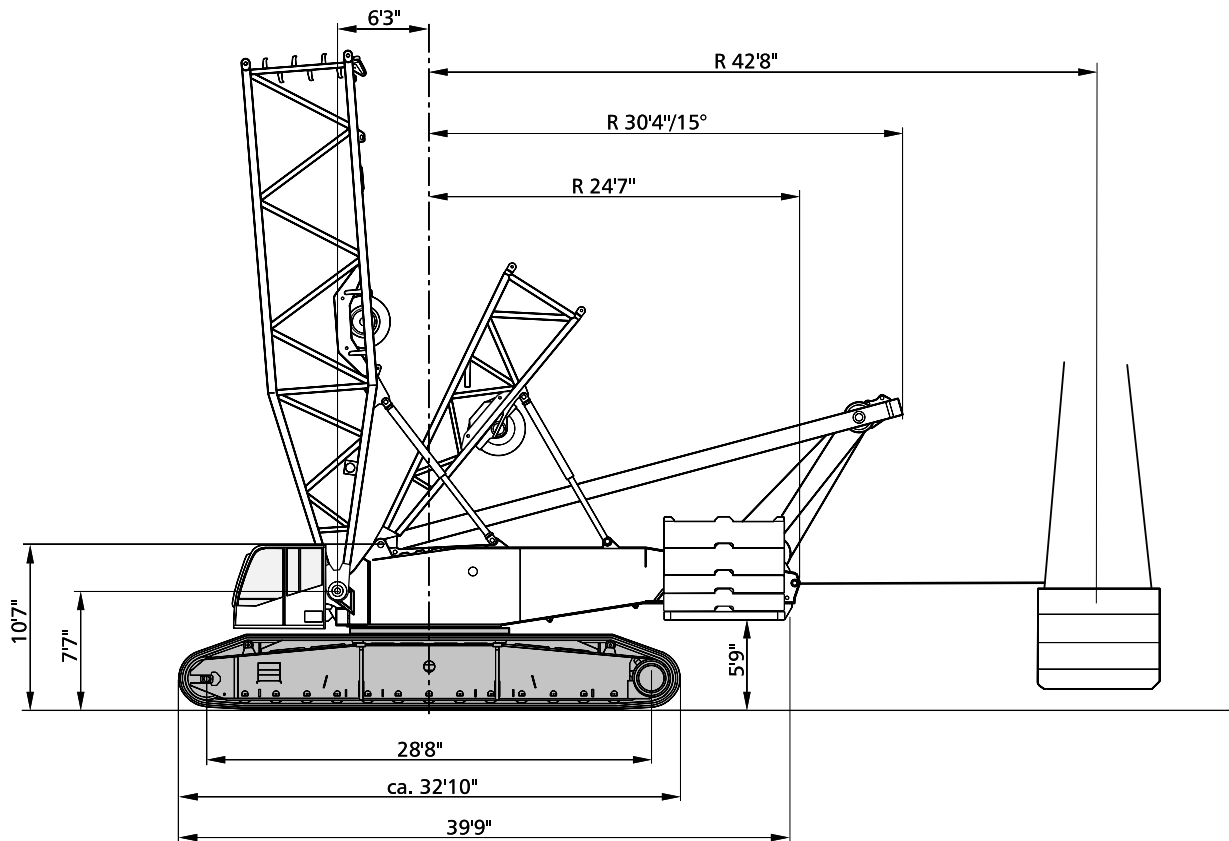
Travel speed	max. 1.24 mph
--------------	---------------

Ground pressure

Ground pressure (based on total weight of 438,000 lb)	1.22 lb/ft ²
---	-------------------------

Hook blocks

Capacity	Number of sheaves	Number of lines	Weight	„D“
661,400 lb	13	26	13,250 lb	11.4 ft
352,800 lb	7	13	10,600 lb	9.8 ft
176,400 lb	3	7	7,300 lb	8.2 ft
88,200 lb	1	3	3,800 lb	6.5 ft



STERLING CRANE

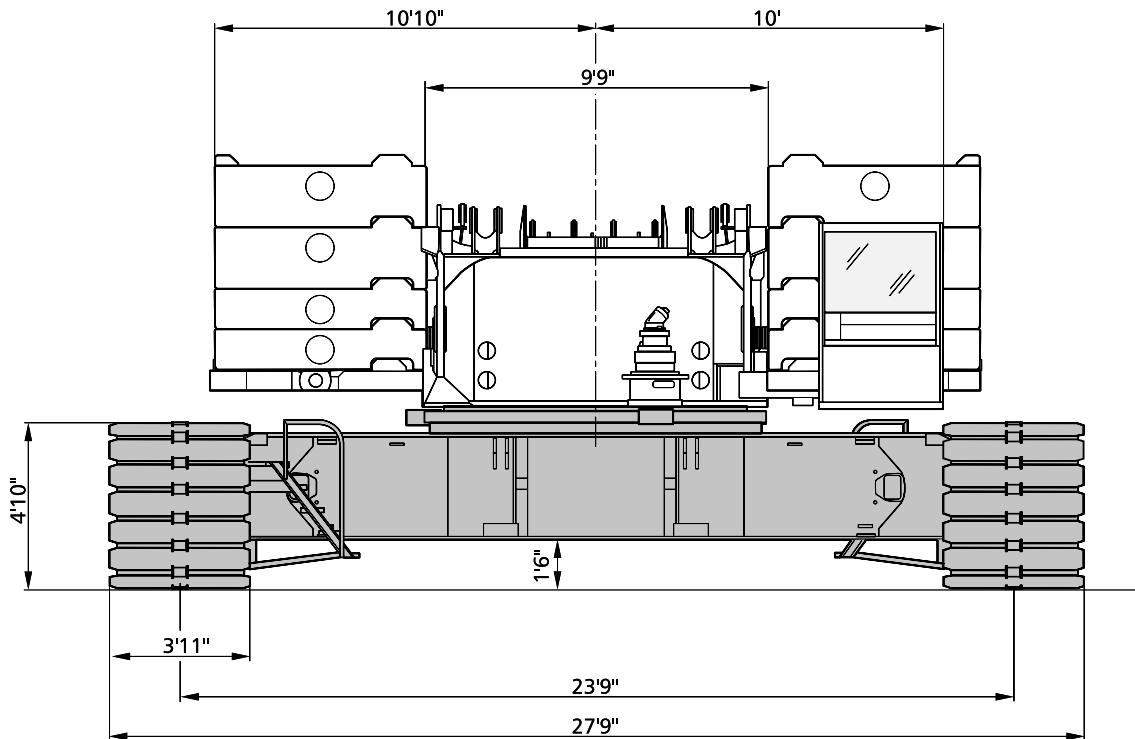
Specifications

Working speeds (infinitely variable)

Mechanisms	Speeds ¹⁾	Single line pull	Length of hoist rope
Hoist 1	max. 492 ft / min	30,700 lb / 27,200 lb ²⁾	3 200 ft
Hoist 2	max. 427 ft / min	30,700 lb / 27,200 lb ²⁾	2 200 ft
Boom derricking	max. 456 ft / min		
Boom hoist	max. 177 ft / min		
Jib luffing	max. 361 ft / min		
Slewing (RPM)	1.25		

1) top layer

2) without / with reeving effect considered



STERLING CRANE

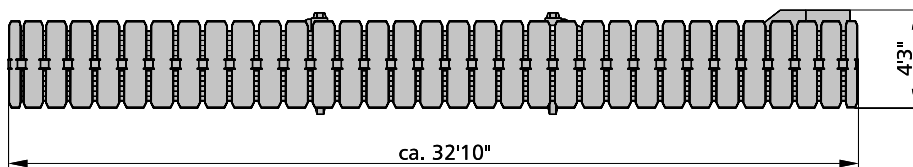
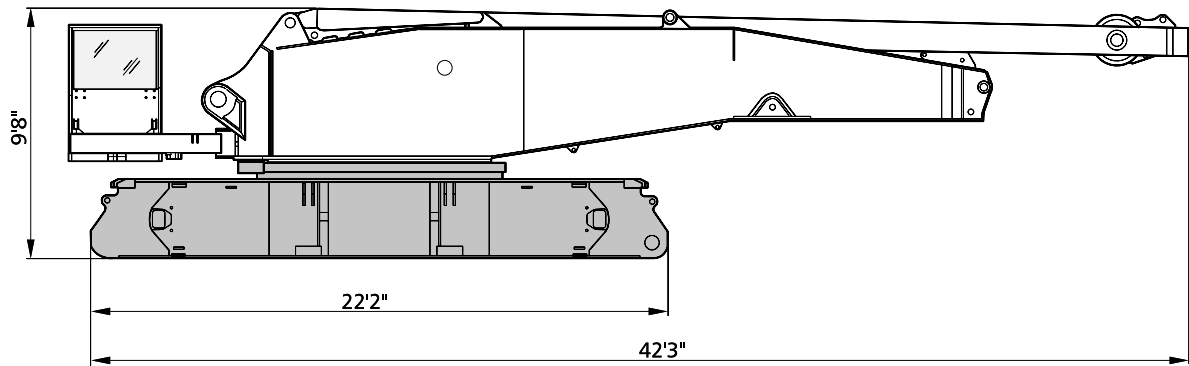
Specifications

Weights

Total weight incl. 198,400 lb counterweight, 59.0 ft SH boom and hook block	438,000 lb
Superstructure (with 3 winches, A-frame, carbody, self-assembly equipment)	130,000 lb
Superstructure (with 3 winches, A-frame and quick-connection)	86,000 lb
Superstructure (without winches H1, H2, without self-assembly equipment, with quick-connection)	66,000 lb
Carbody with jacks and quick-connection	44,000 lb
Crawlers with track shoes (3.93 ft)	2 x 50,700 lb

Machine versions

	Counterweight 198,400 lb	Add. counterweight 66,000 lb and central ballast 66,000 lb
Standard	●	
Option		●



STERLING CRANE

Specifications

Counterweights on upper



Central ballast (CB)

