



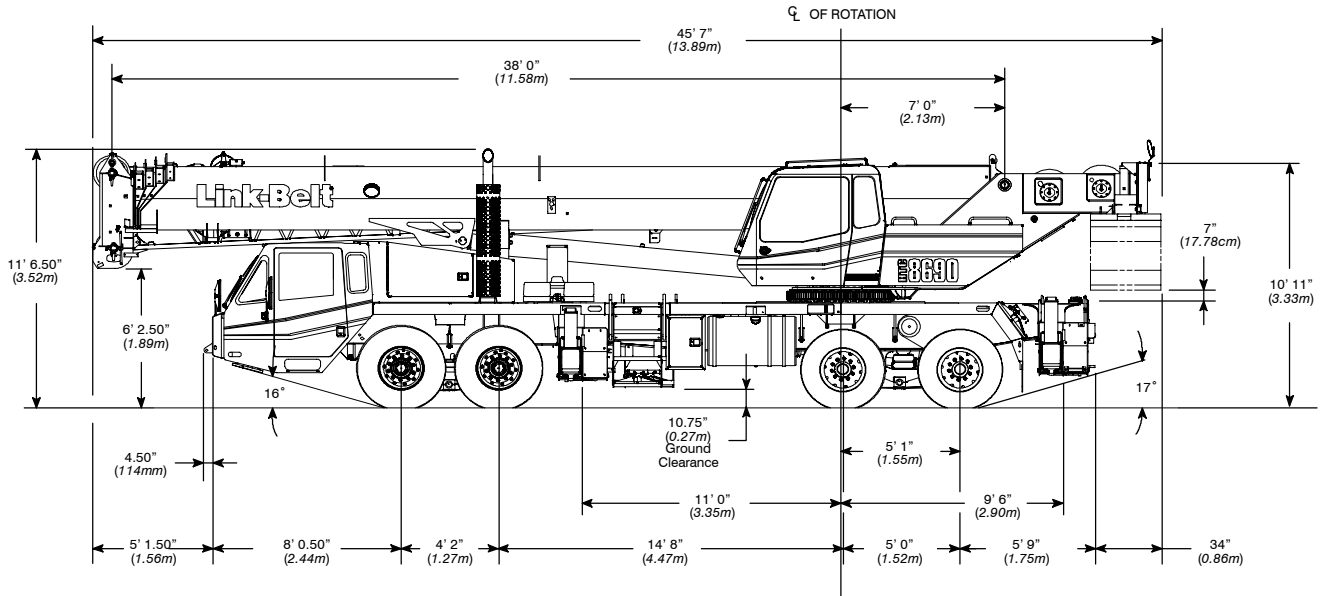
TRANSPORTATION SPECS - Hydraulic Truck Cranes

LINK-BELT MODEL HTC-8690 - 90 TON CAPACITY

<u>COMPONENT WEIGHTS</u>	<u>LBS.</u>	<u>KGS.</u>
Complete Crane w/o Dolly (incl. block, ball & 36'6" - 61' jib)	127,027	57,620
Main Unit	80,000	36,288
 <u>ADDITIONAL INFORMATION</u>		
90 Ton Block (6 Sheave)	1,554	705
8.5 Ton Ball	360	163
 <u>Counterweights</u>		
Tray	2,500	1,134
2x3,000lbs	6,000	2,722
2x6,000lbs	12,000	5,443
12,000lbs	12,000	5,443
2 x 3,500lbs	7,000	3,175
Total	39,500	17,917
35'-58' Two Piece Fly	2,263	1 026
2'-16' Jib Inserts each	1,584	719
Dolly Triaxle	9,950	4,513
Main Load Line (3/4" x 730')	931	422
Auxiliary Hoist Line (3/4" x 600')	731	332
 <u>TRANSPORTATION</u>		
Maximum Speed: 60km/hr 37.5 mph		

STERLING CRANE

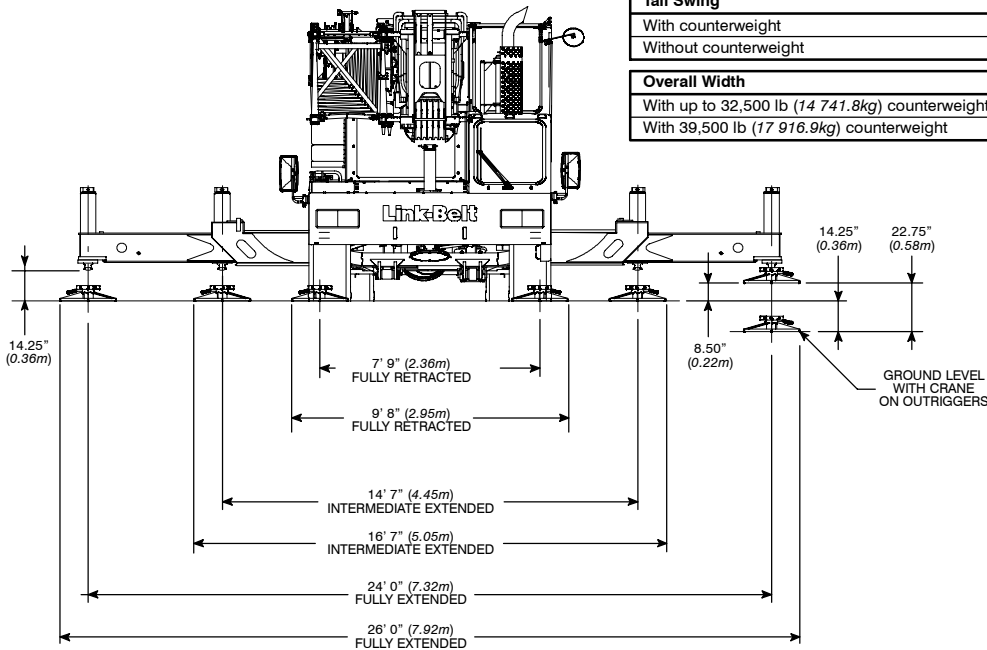
General Dimensions



Turning Radius	English	Metric
Wall to wall over carrier	48' 4"	14.7m
Wall to wall over boom	49' 2"	15.0m
Wall to wall over boom attachment	51' 0"	15.5m
Curb to curb	44' 1"	13.4m
Centerline of tire	43' 4"	13.2m

Tail Swing	English	Metric
With counterweight	13' 8"	4.2m
Without counterweight	13' 1"	4.0m

Overall Width	English	Metric
With up to 32,500 lb (14 741.8kg) counterweight	8' 6"	2.6m
With 39,500 lb (17 916.9kg) counterweight	11' 0"	3.4m



Not To Scale