

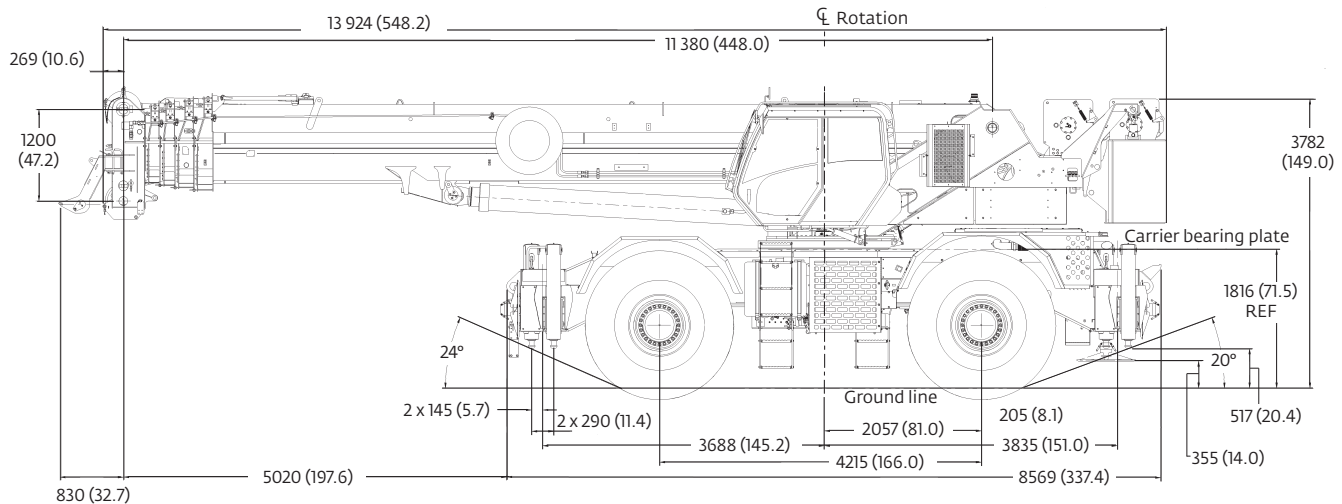
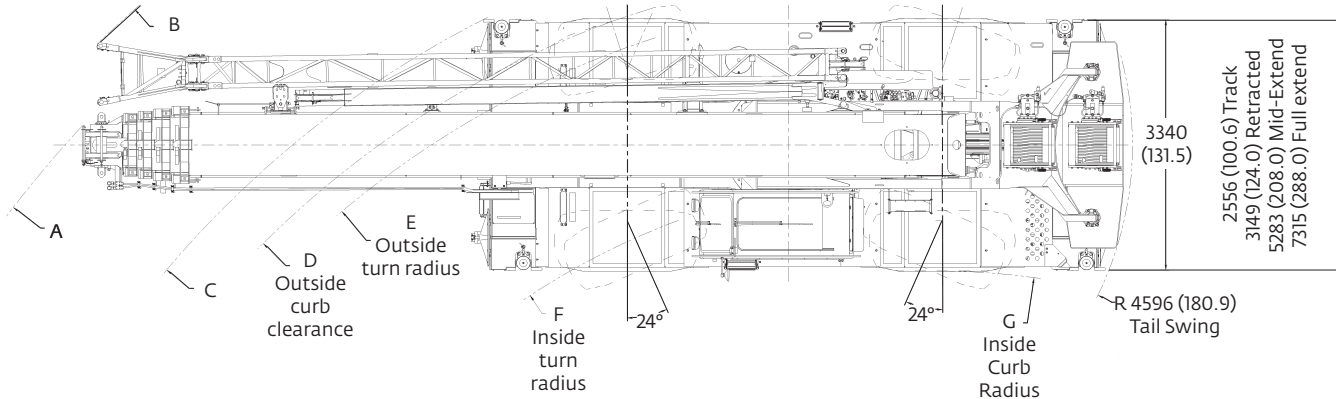


TRANSPORTATION SPECS - Rough Terrain Cranes

GROVE MODEL RT890E - 90 TON CAPACITY

Dimensions and weights

Tires	A	B	C	D	E	F	G	A	B	C	D	E	F	G
29.5 X 25	15,7 m (51.5')	16,3 m (5.35')	13,6 m (44.6')	12,9 m (42.3')	12,5 m (41.0')	10,1 m (33.1')	8,8 m (28.9')	11,1 m (36.4')	11,6 m (38.1')	8,4 m (27.6')	7,8 m (25.6')	7,3 m (24.0')	4,9 m (16.1')	4,1 m (13.5')
2 wheel steer								4 wheel steer						



Dimensions are in mm (inches)

Weights

	G.V.W. kg (lb)	Front kg (lb)	Rear kg (lb)
Basic Machine including 43,3 m (142 ft) main boom, main and aux. hoist with 182,8 m (600 ft) of rope, manual offsettable bifold swingaway, full counterweight, 9,1 t (10 USt) headache ball, and 80 t (90 USt) hookblock:	53 178 (117,235)	25 915 (57,131)	27 263 (60,104)
Substitute: Hydraulic offsettable bifold swing-away	53 496 (117,937)	26 394 (58,187)	27 103 (59,750)
Remove: Counterweight and aux. hoist (manual offsettable S/A)	43 250 (95,348)	30 657 (67,587)	12 592 (27,761)
Remove: Counterweight and aux. hoist Hyd. offsettable S/A)	43 407 (95,695)	30 930 (68,188)	12 477 (27,507)
Remove: Counterweight, aux. hoist, and either extension	42 227 (93,094)	27 696 (64,058)	13 171 (29,036)